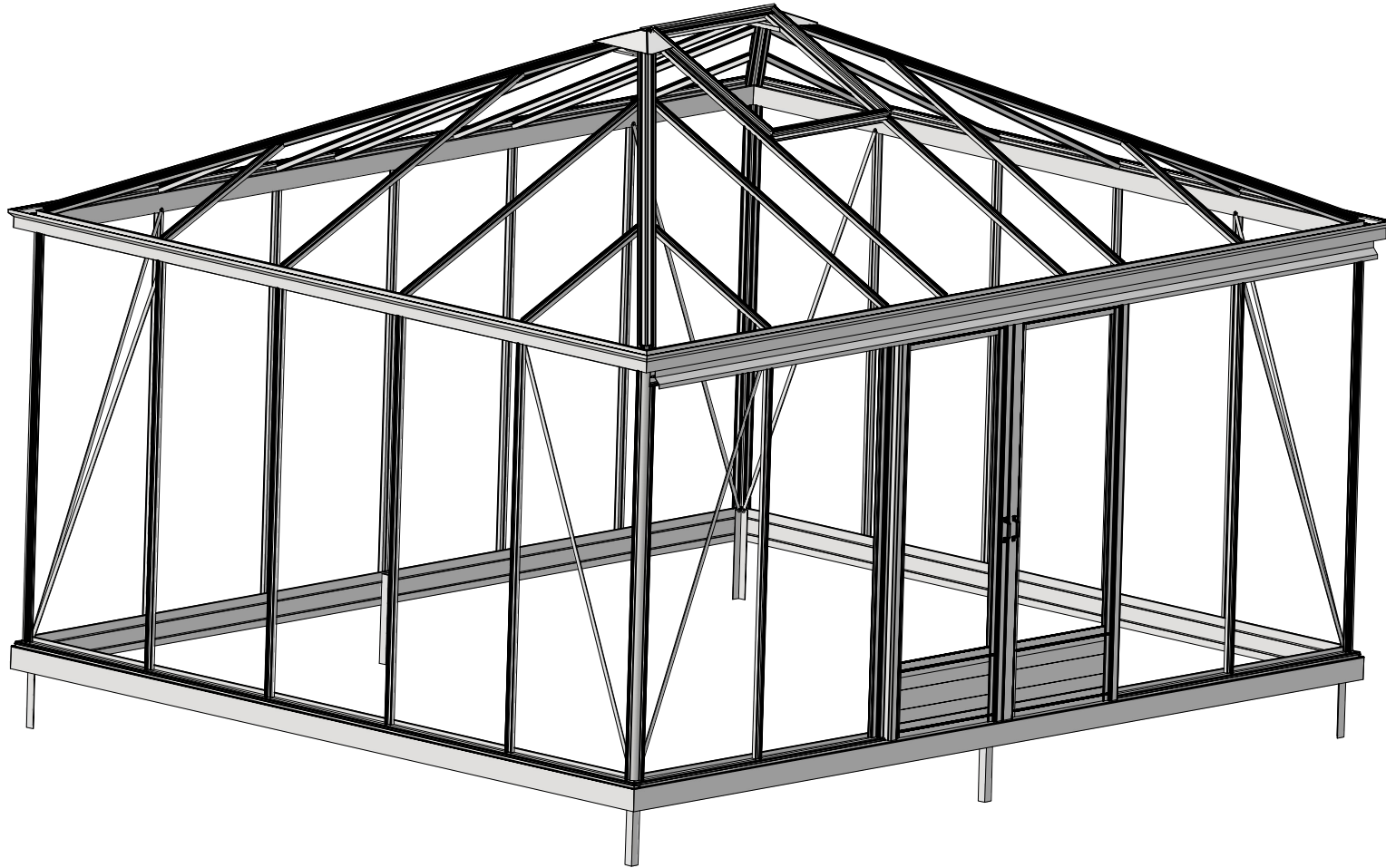
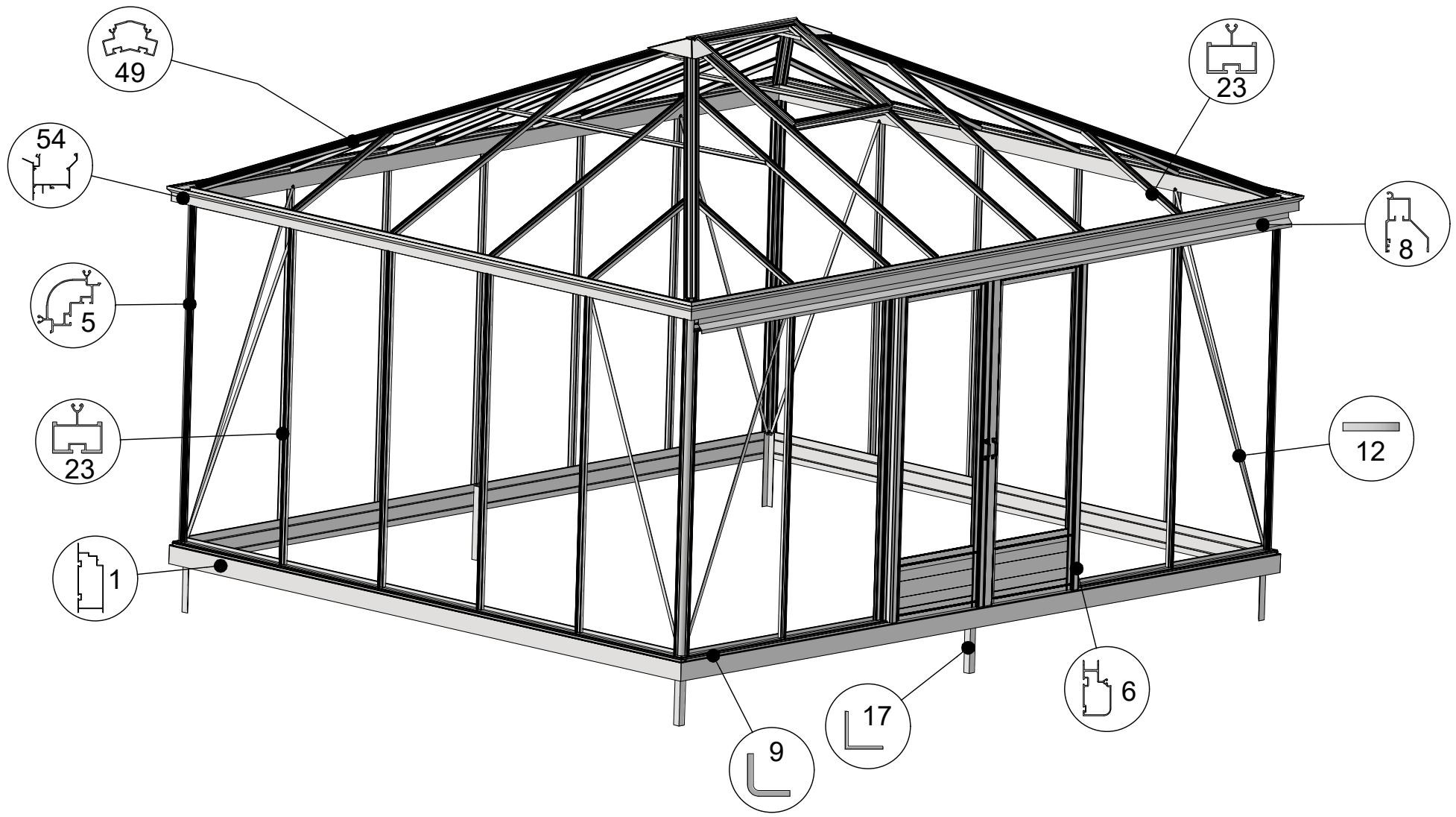


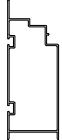

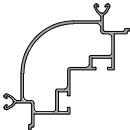
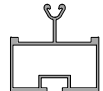
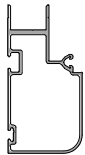

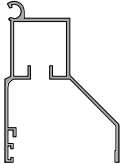
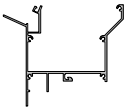
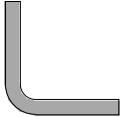
Euro-Pyra-Stretch 3,80



08-11-2023





Profile list					
-	NR	Profile NR	-	NR	Profile NR
	1	17538		17	L40/40/2
	5	17548		23	17703
	6	9915		49	37112
	8	7633		54	8478
	9	L15/15/2			

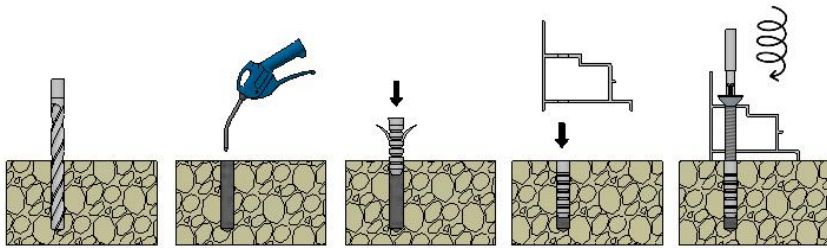
- Attention! Check inside the foundation for more profiles.
- Please fasten screws and nuts hand-tight.


- Achtung! Prüfen sie das fundament für weitere profile.
- Schraube und Mutter bitte handfest festziehen.

- Opgelet! kijk in de fundering voor andere profielen.
- Bout en moer a.u.b. handvast aandraaien.

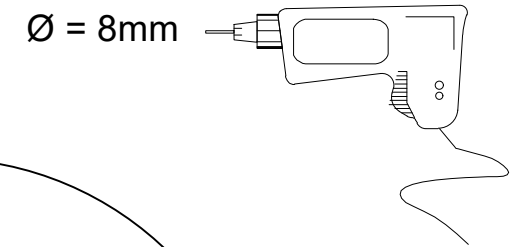
- Attention! Regarde à l'intérieur du fondation pour plussier profils.
- Serrez les écrous et vis à la main s.v.p.

- Observera at en del profiler ligger i sockelprofilen!!
- Dra åt skruven och muttern handfast.

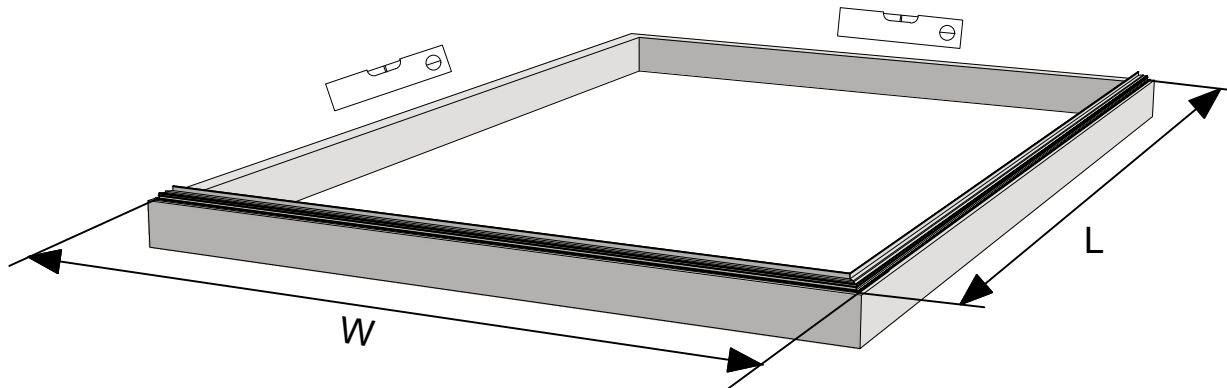
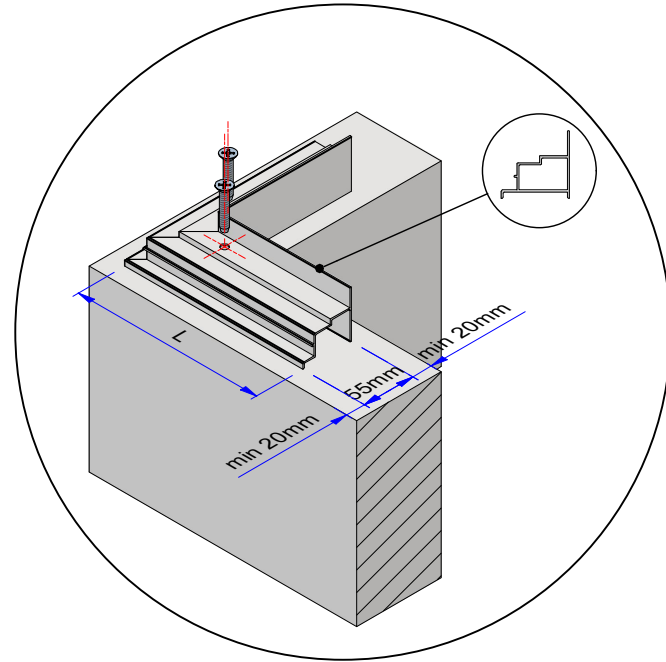



 = 8x40

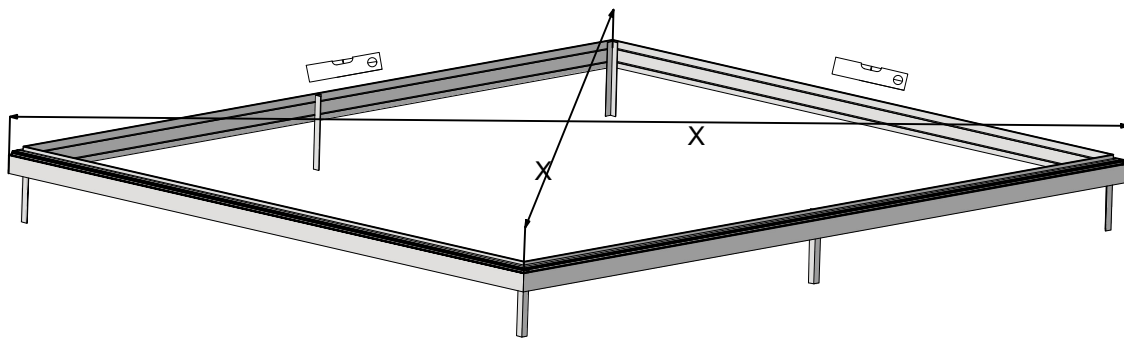
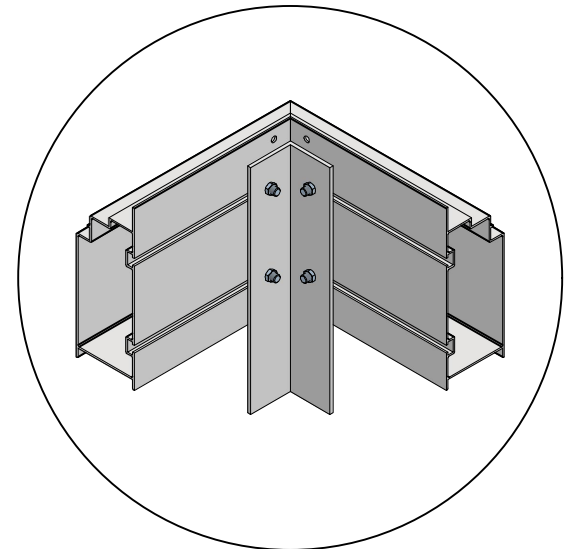
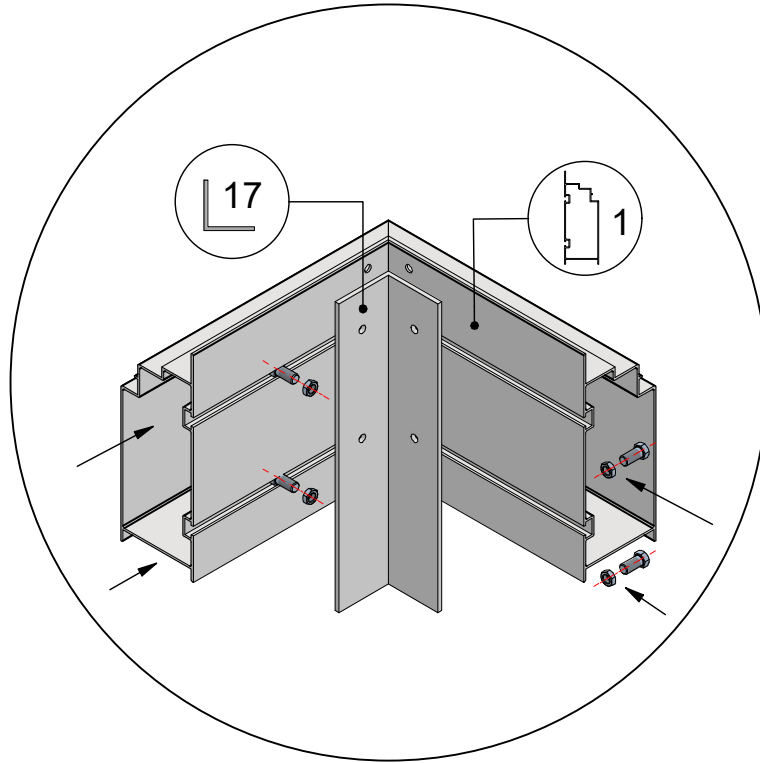
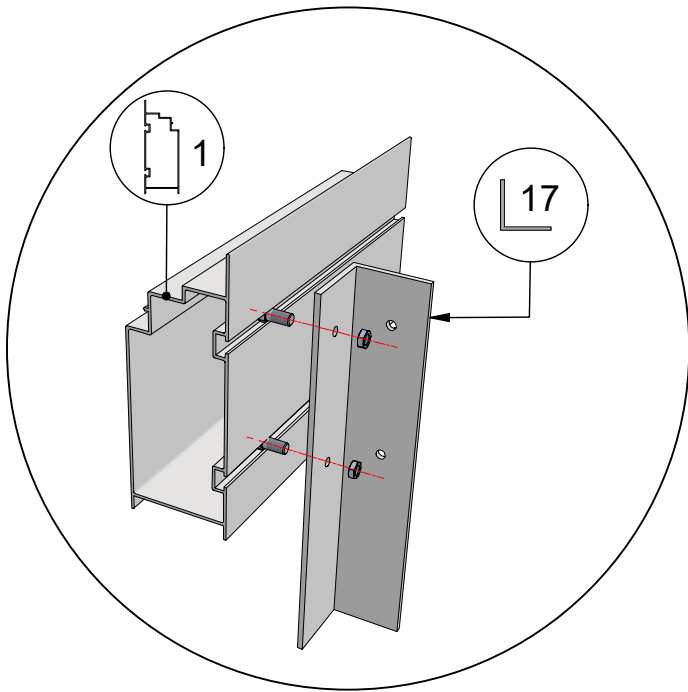
  = 6x120

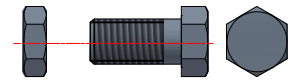


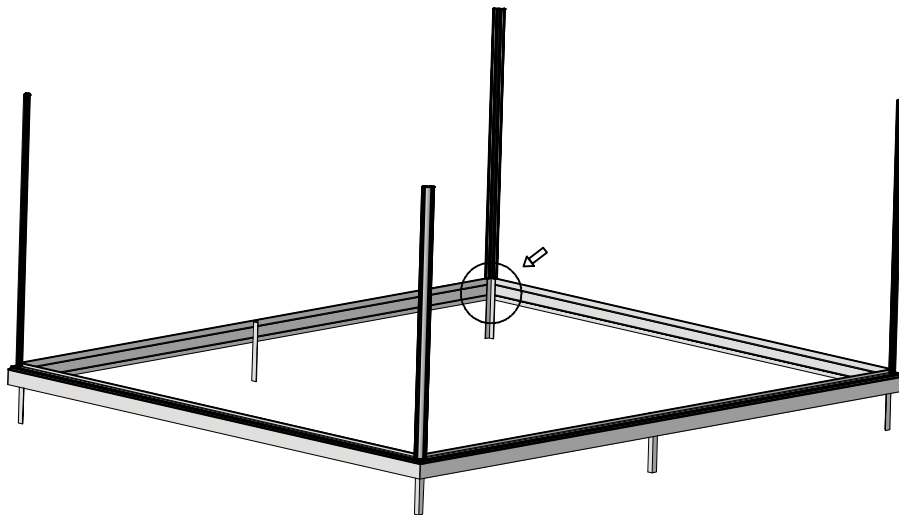
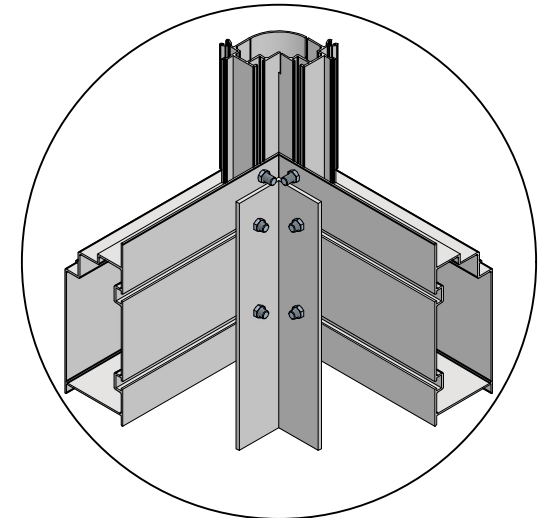
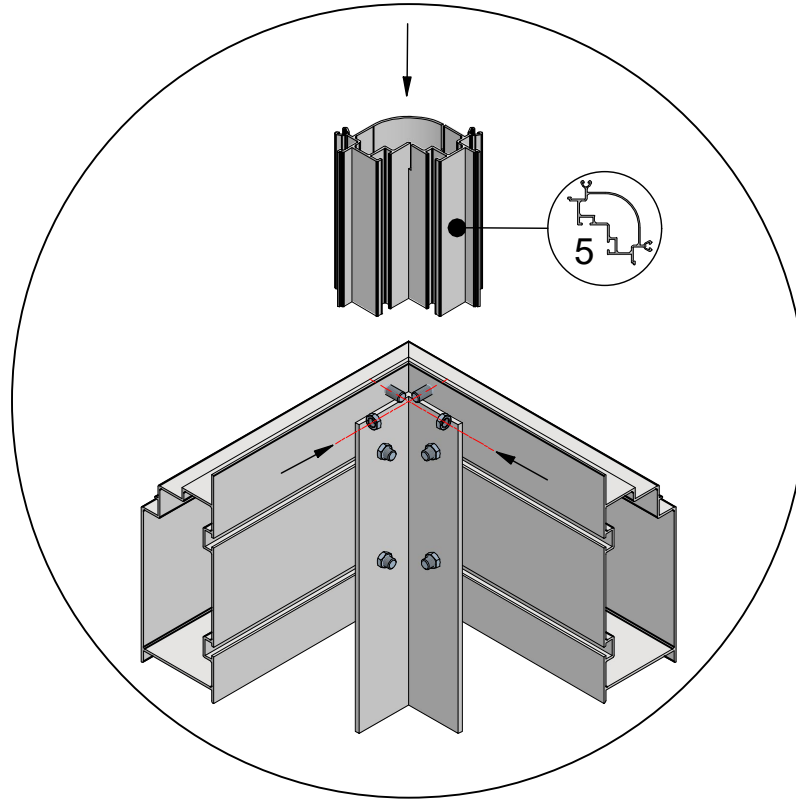
W	L
3820	4562
	5299
	6036
	6773
	7510
	8247

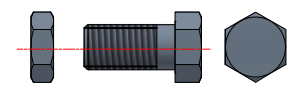


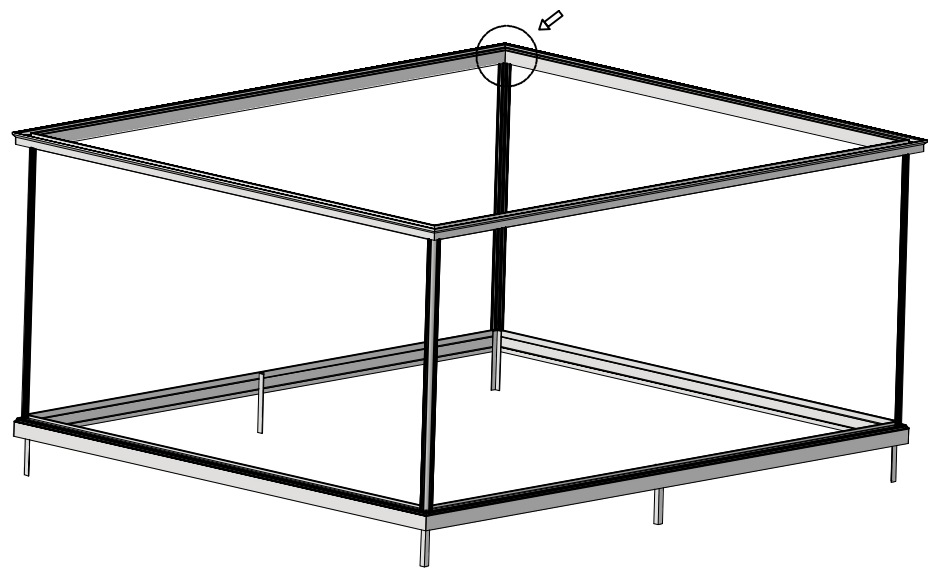
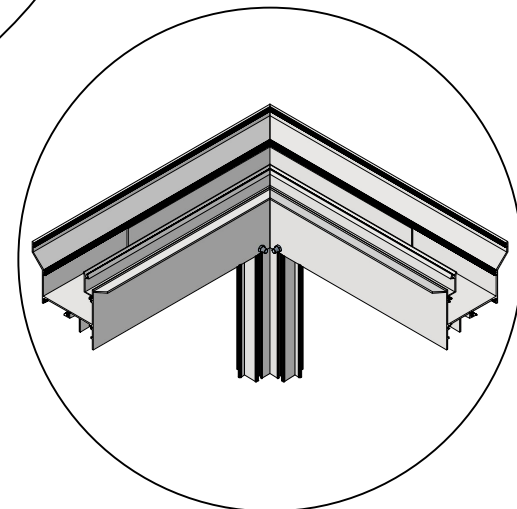
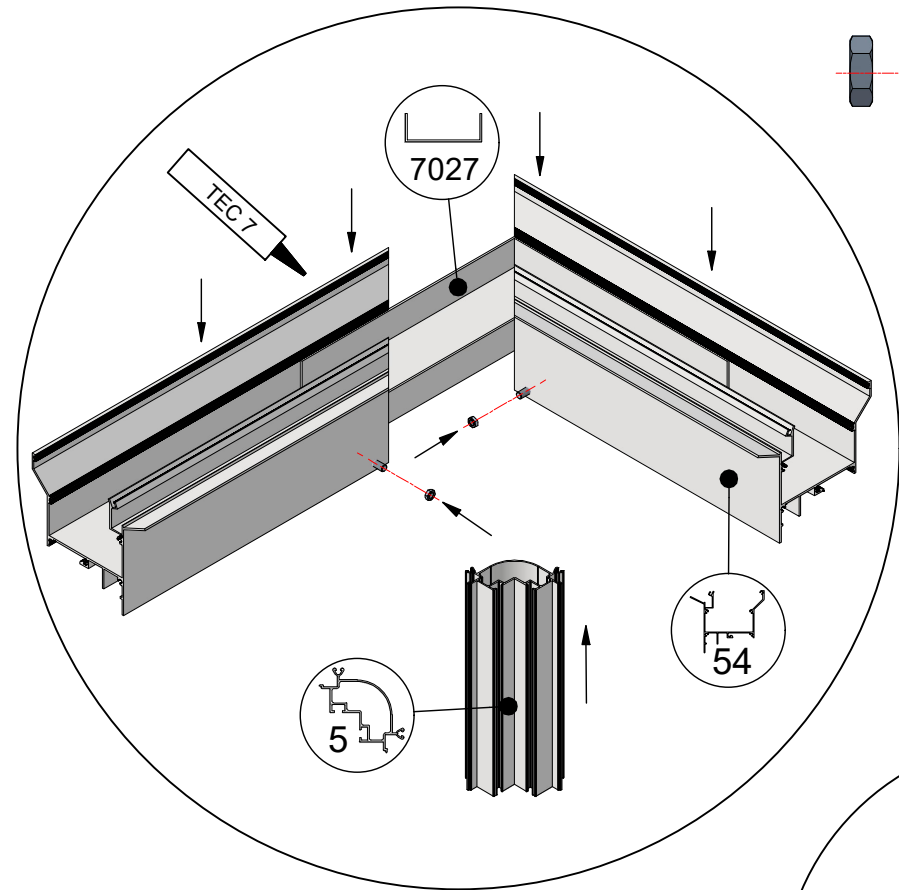
 = M6x12

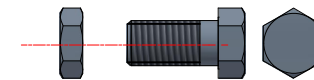


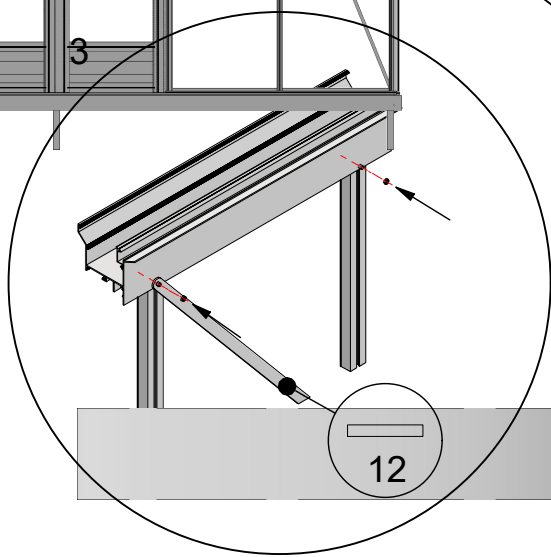
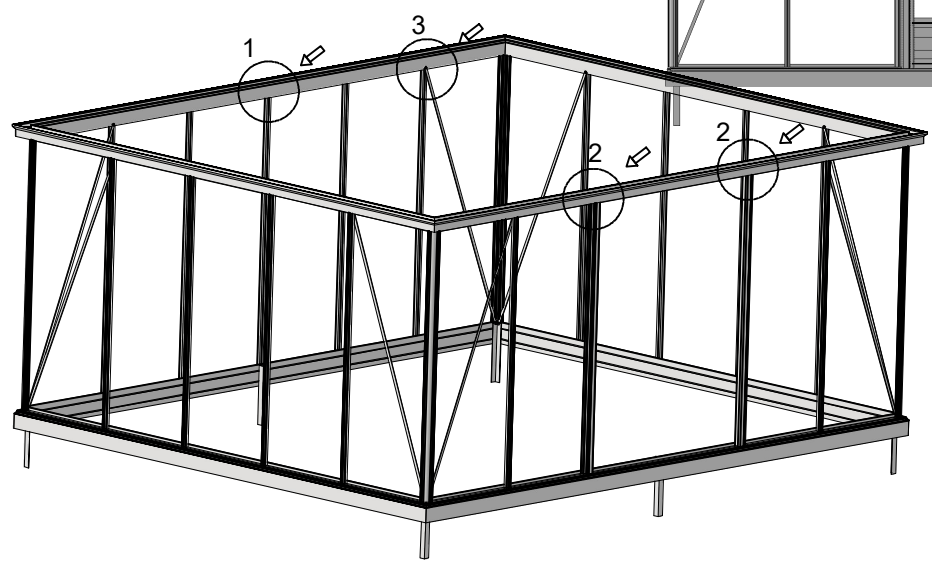
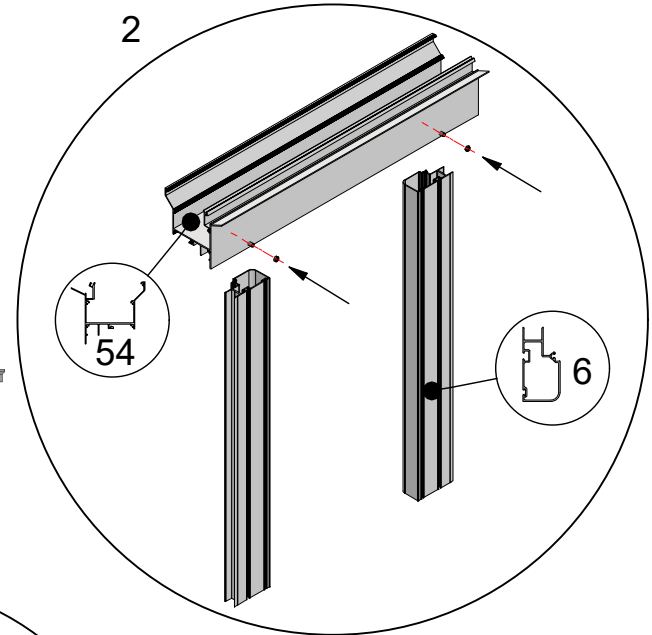
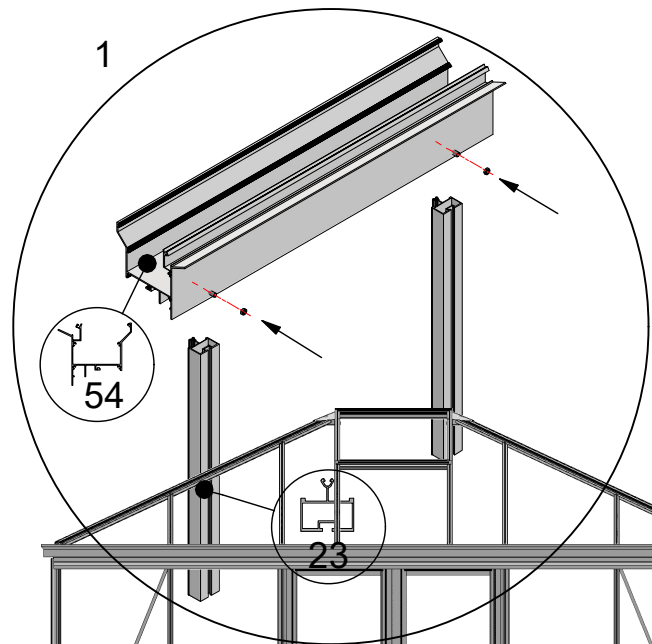
 = M6x12




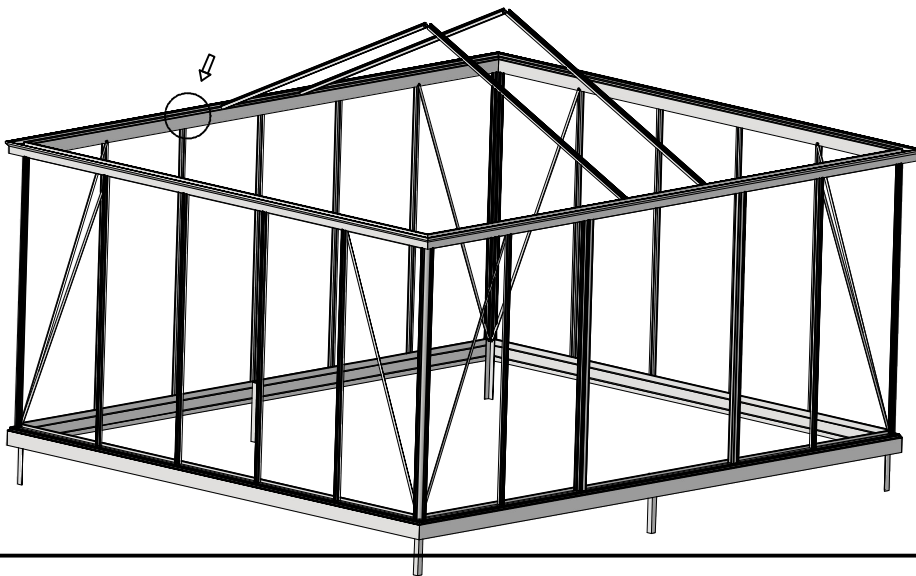
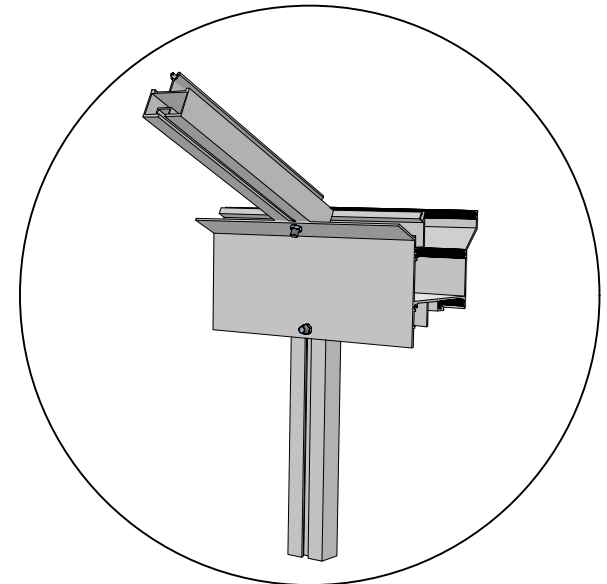
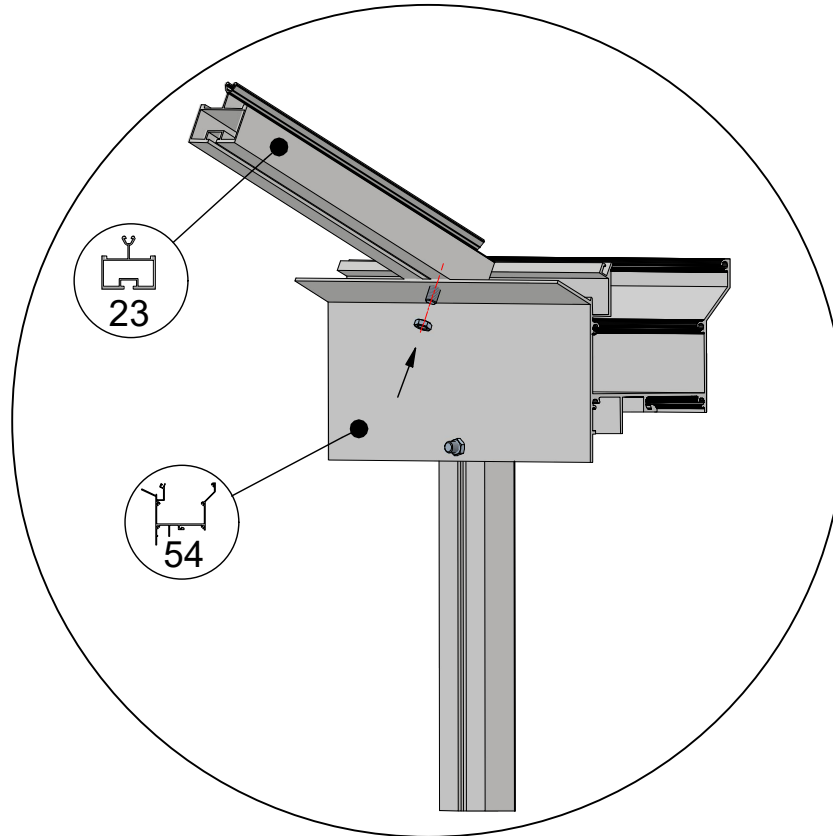
 = M6x12

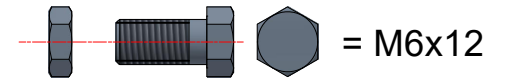


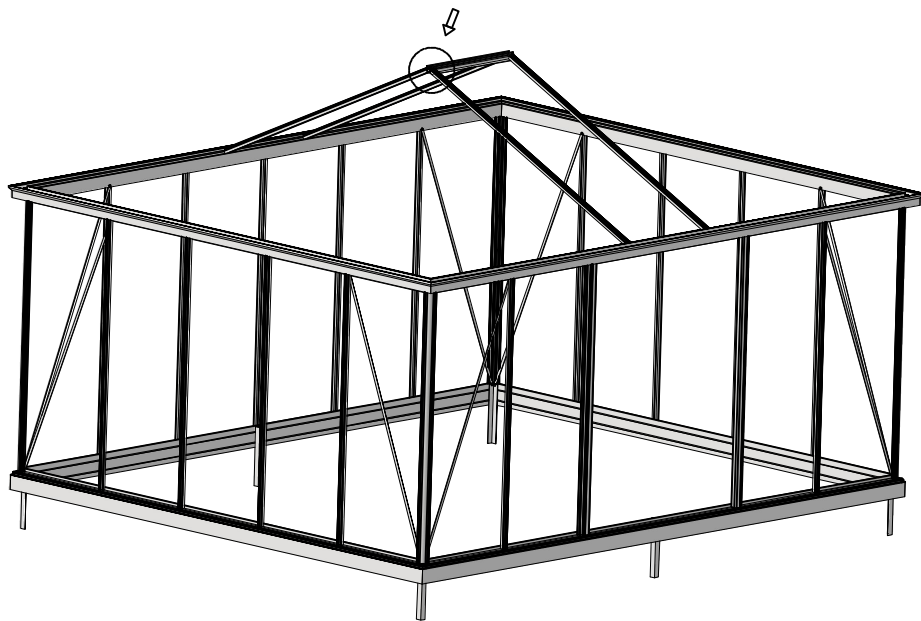
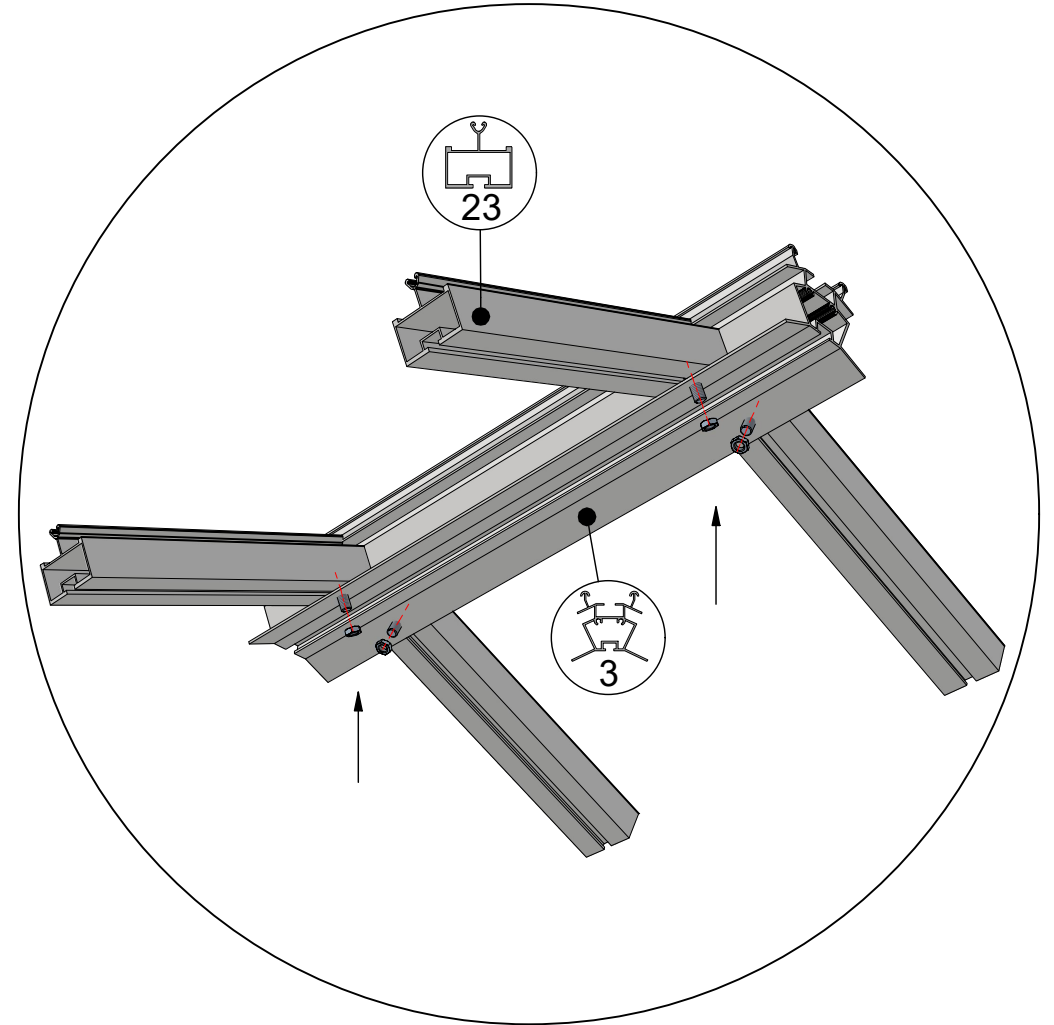
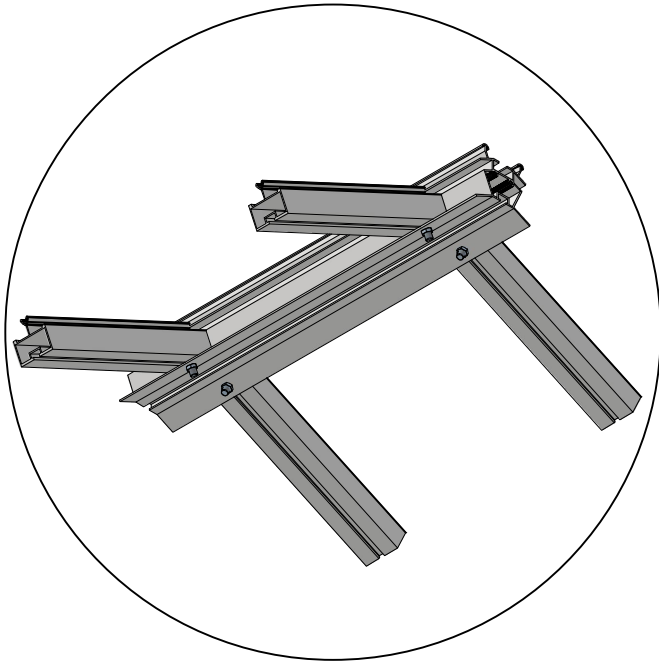
 = M6x12

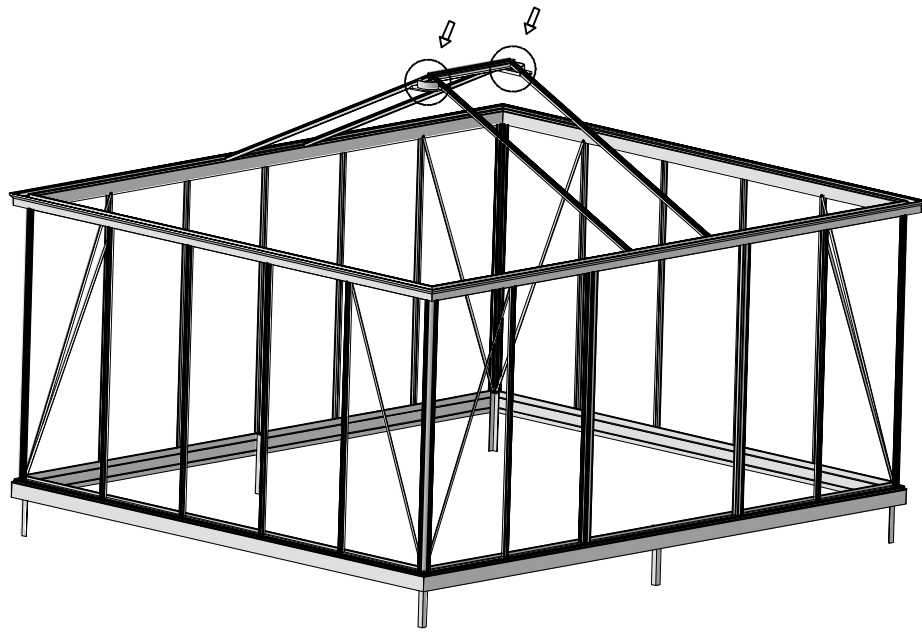
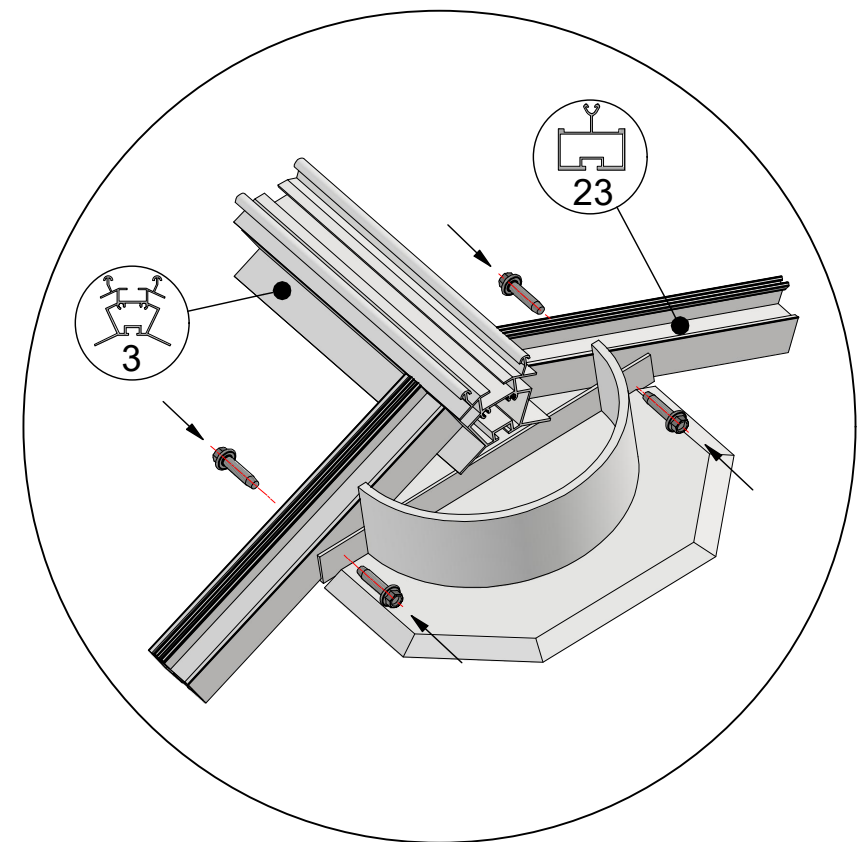
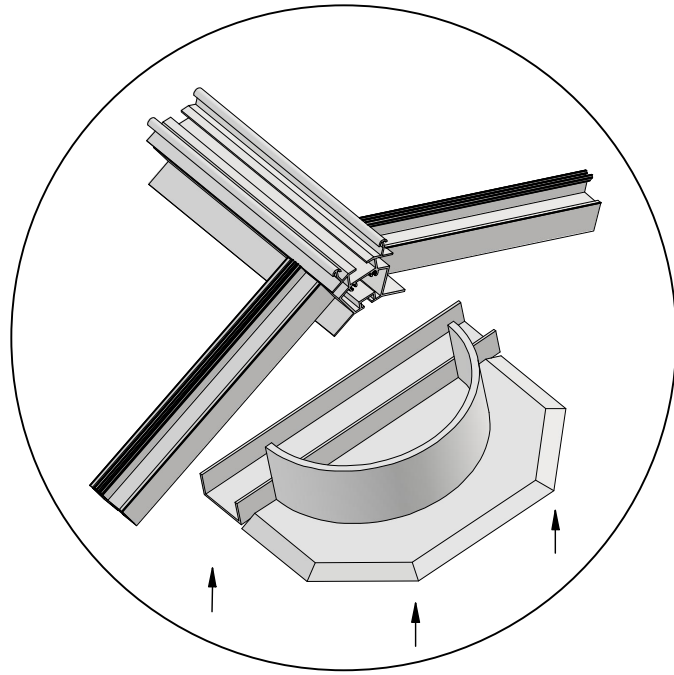
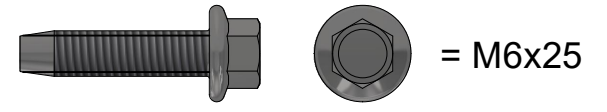


 = M6x12

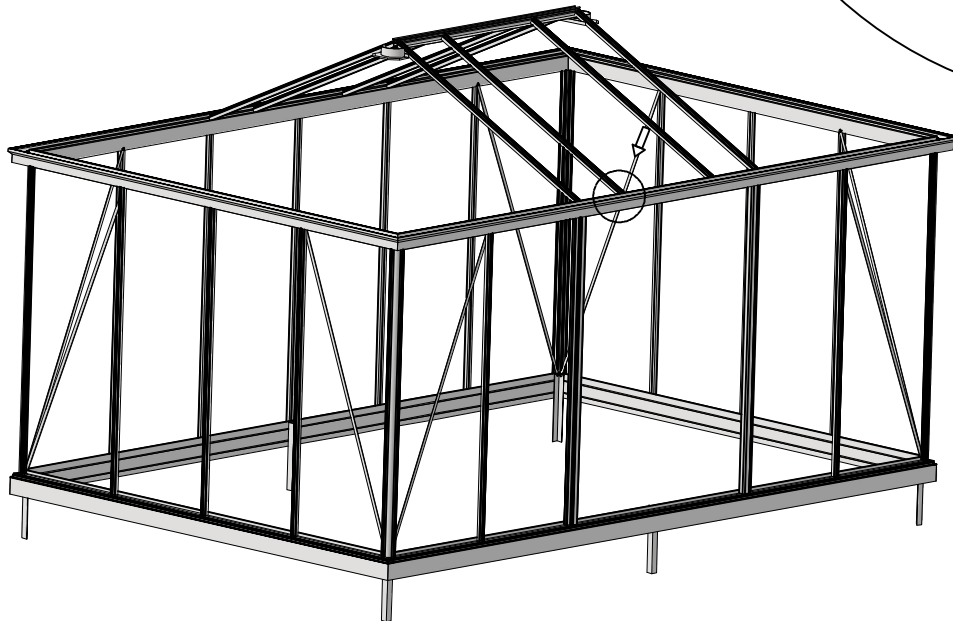
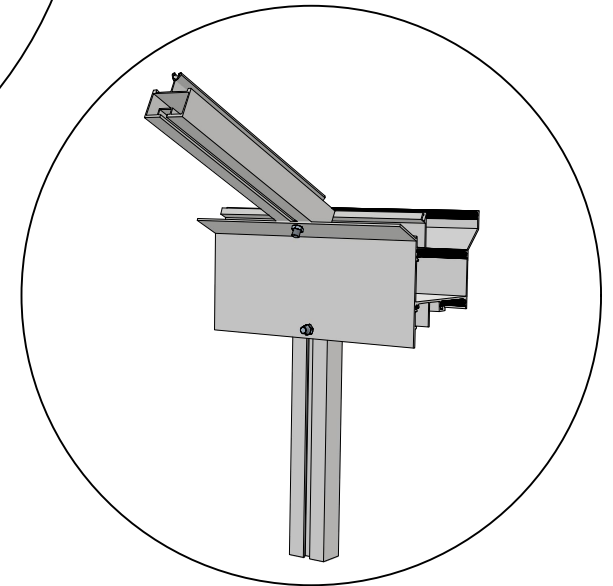
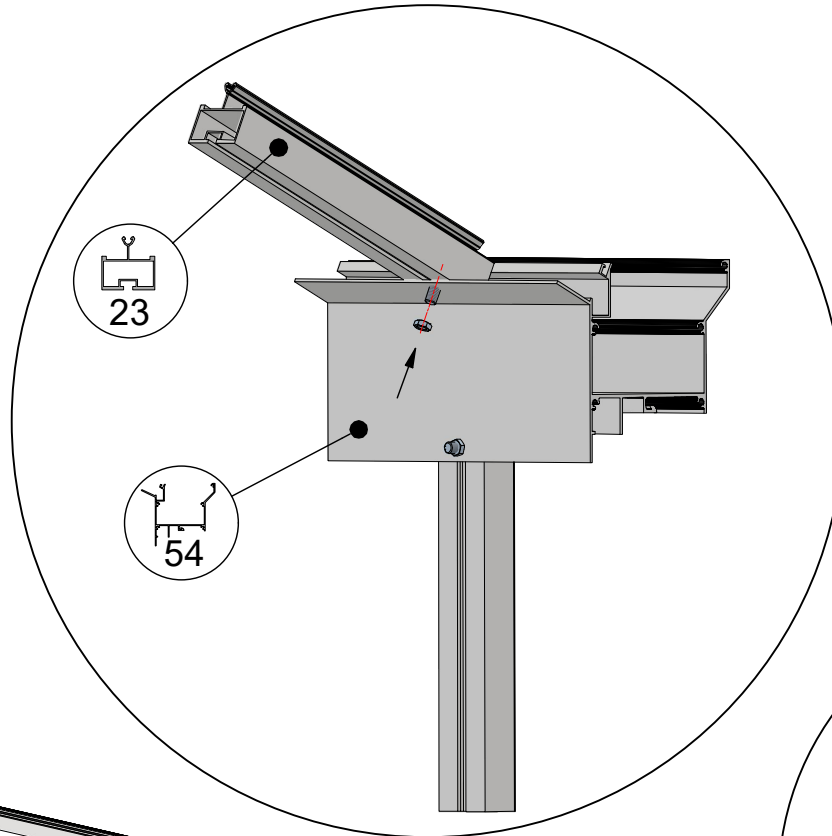
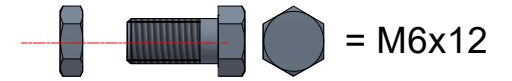


 = M6x12




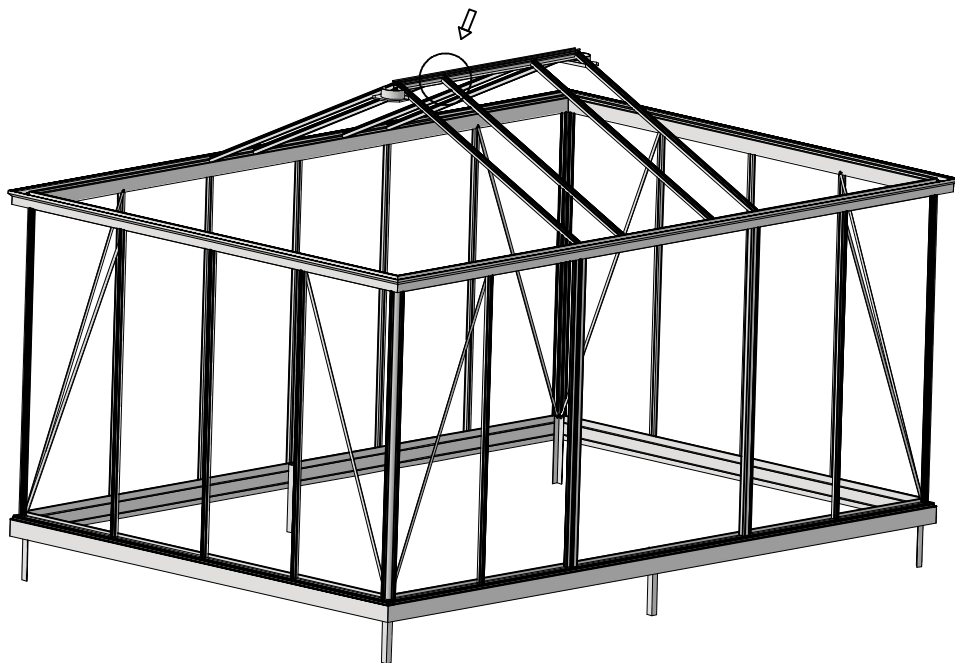
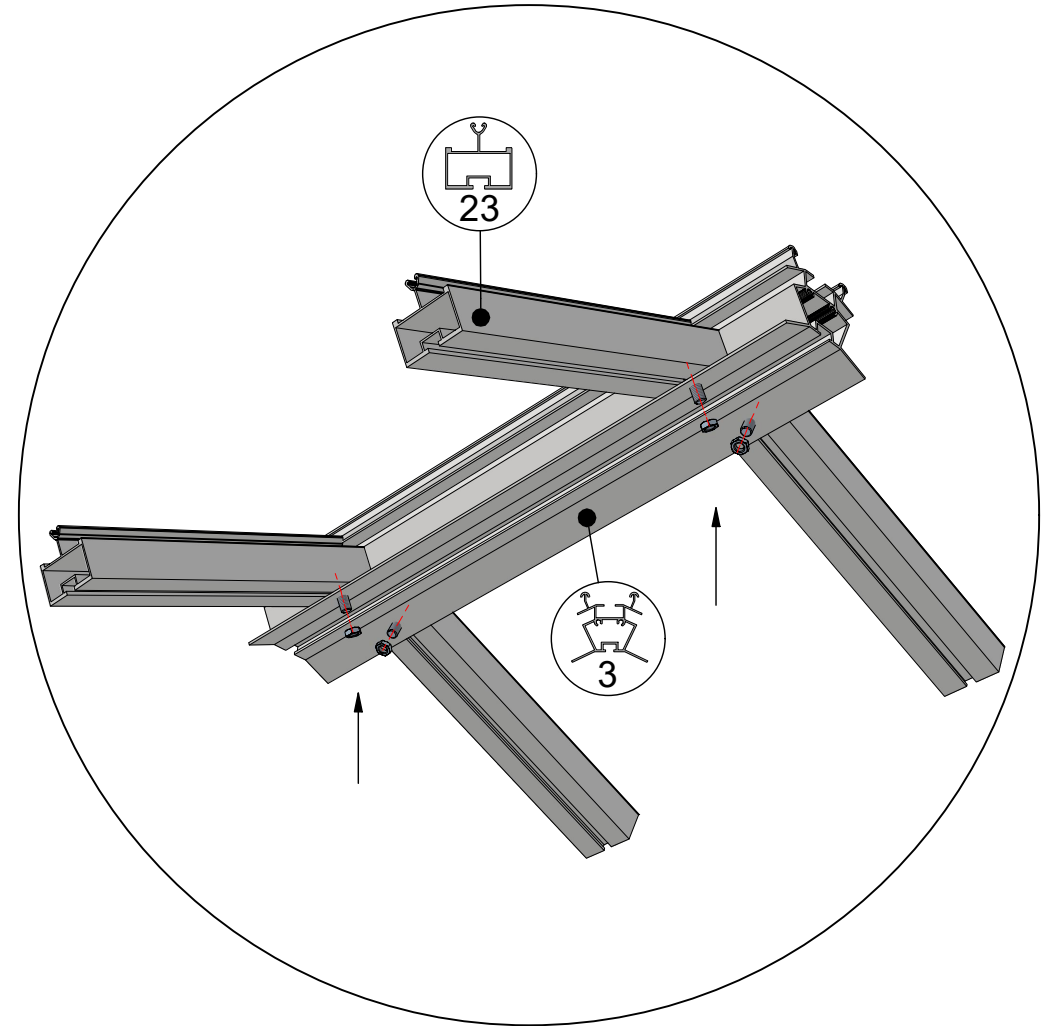
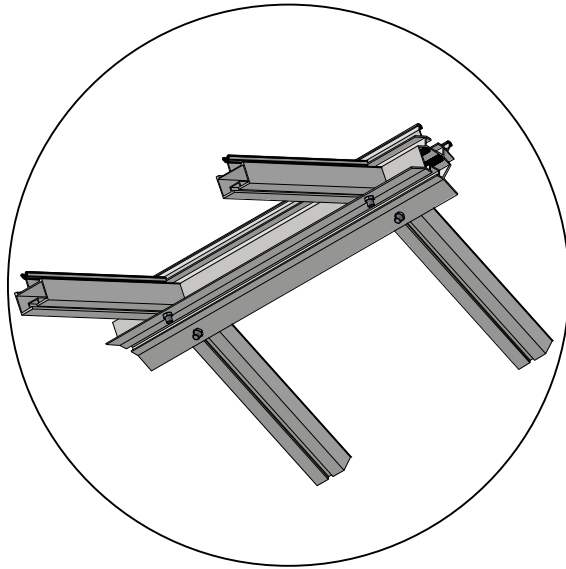



Pyra-stretch > 4,56

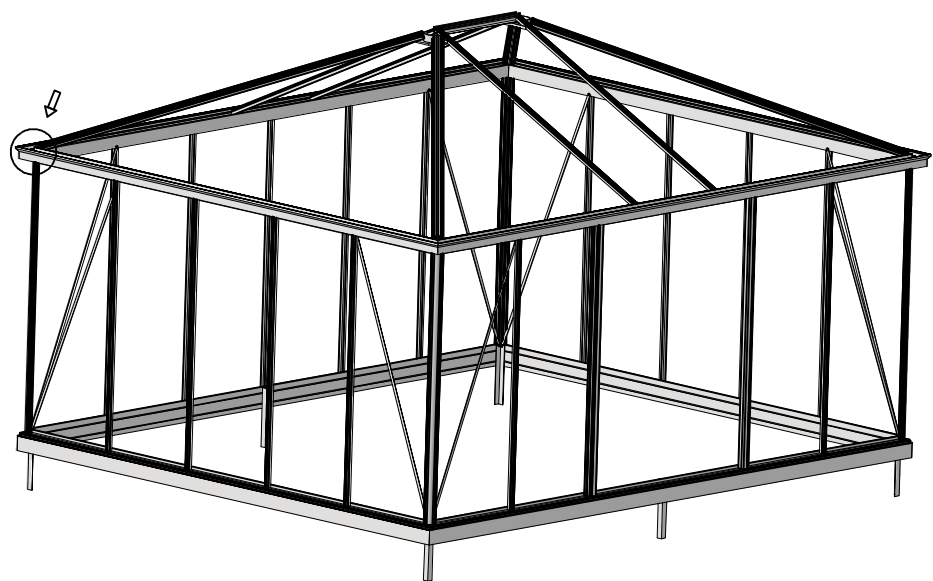
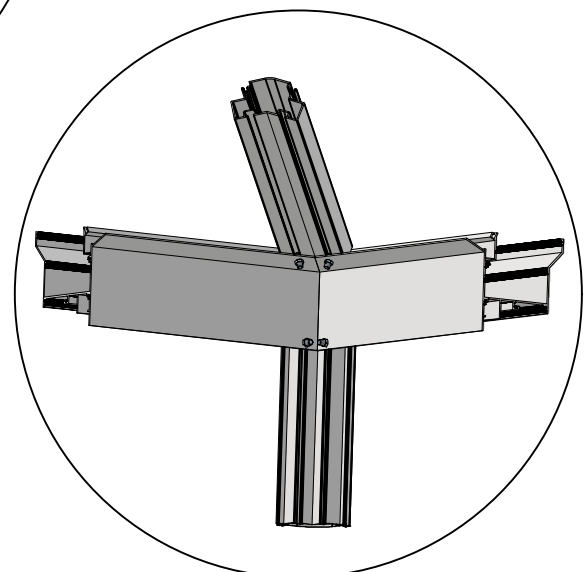
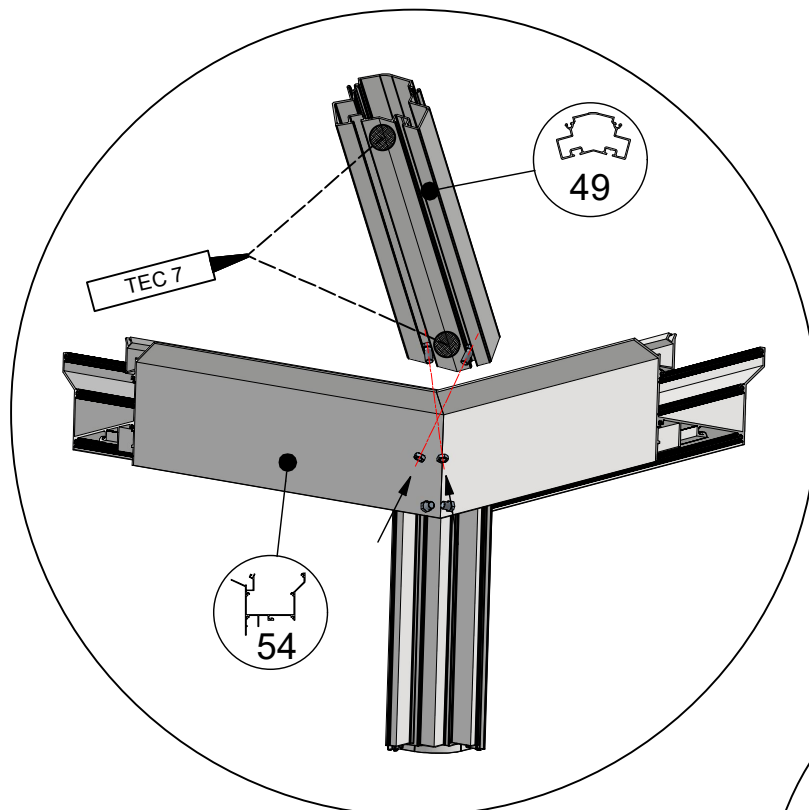


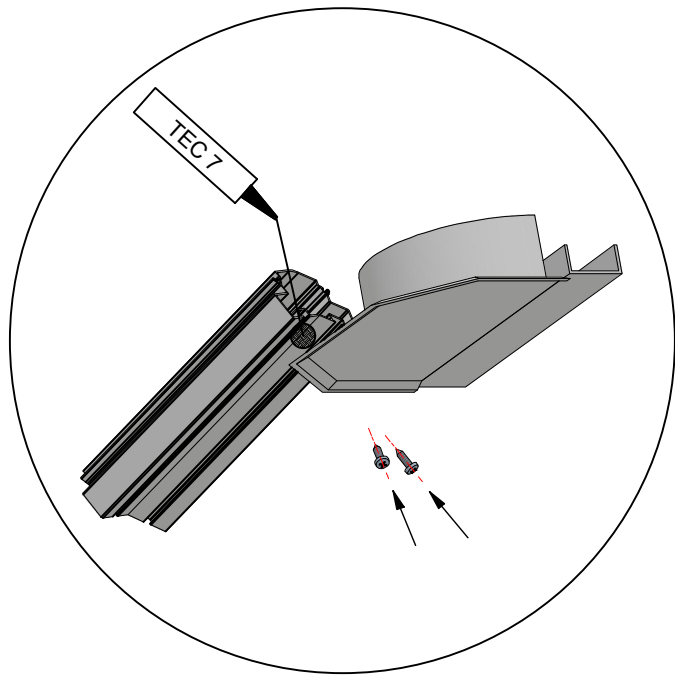
Pyra-stretch > 4,56

 = M6x12

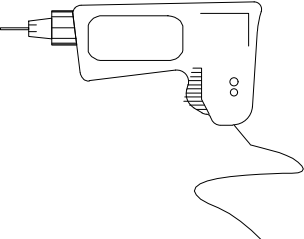


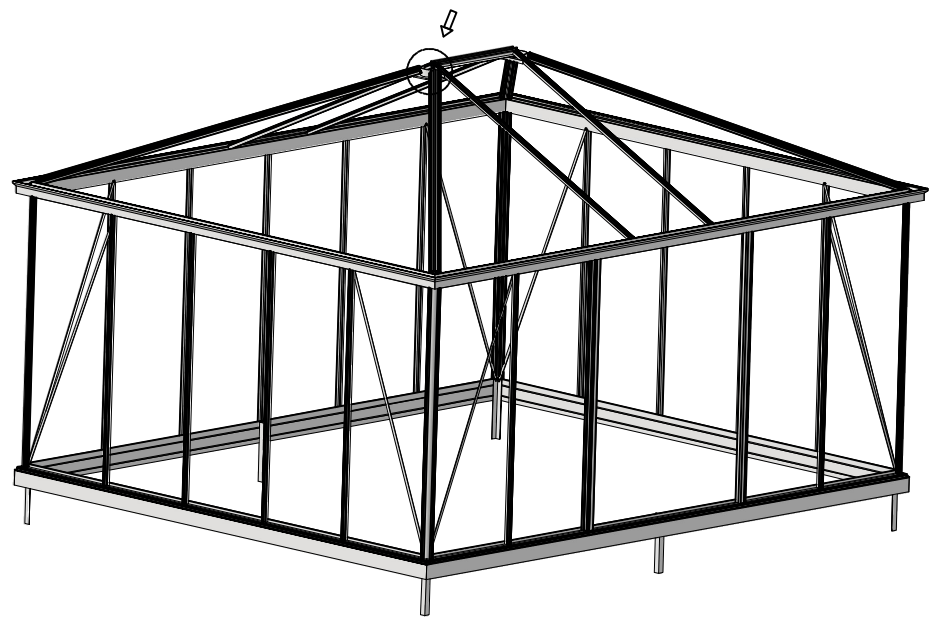
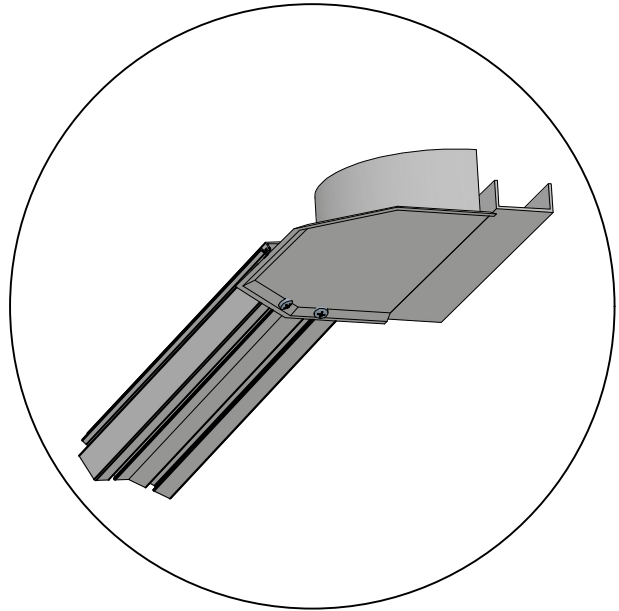
 = M6x12




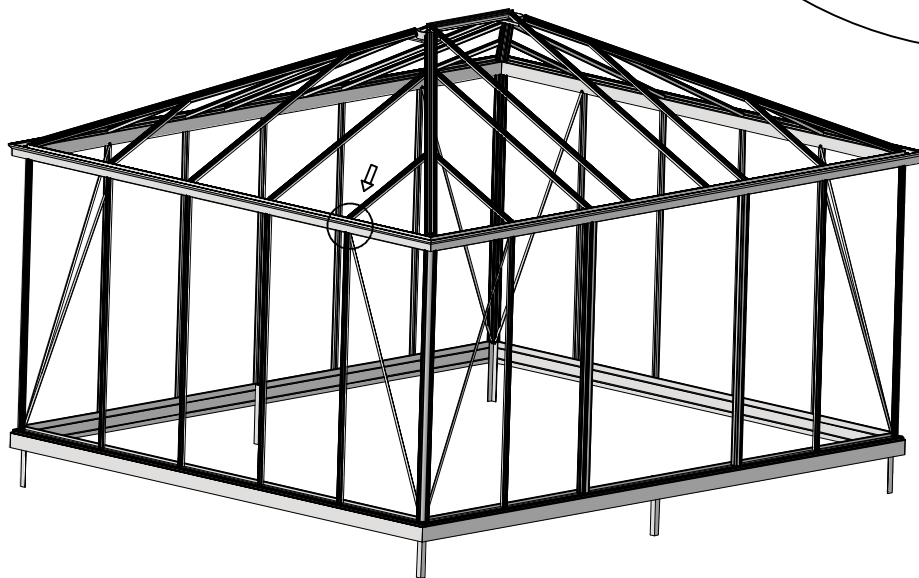
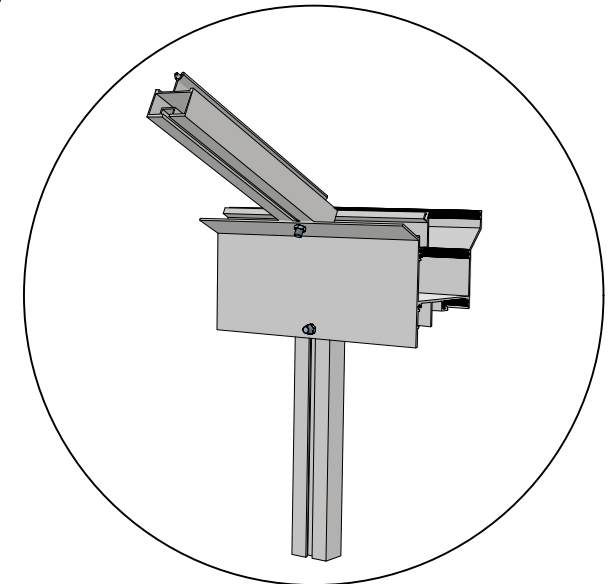
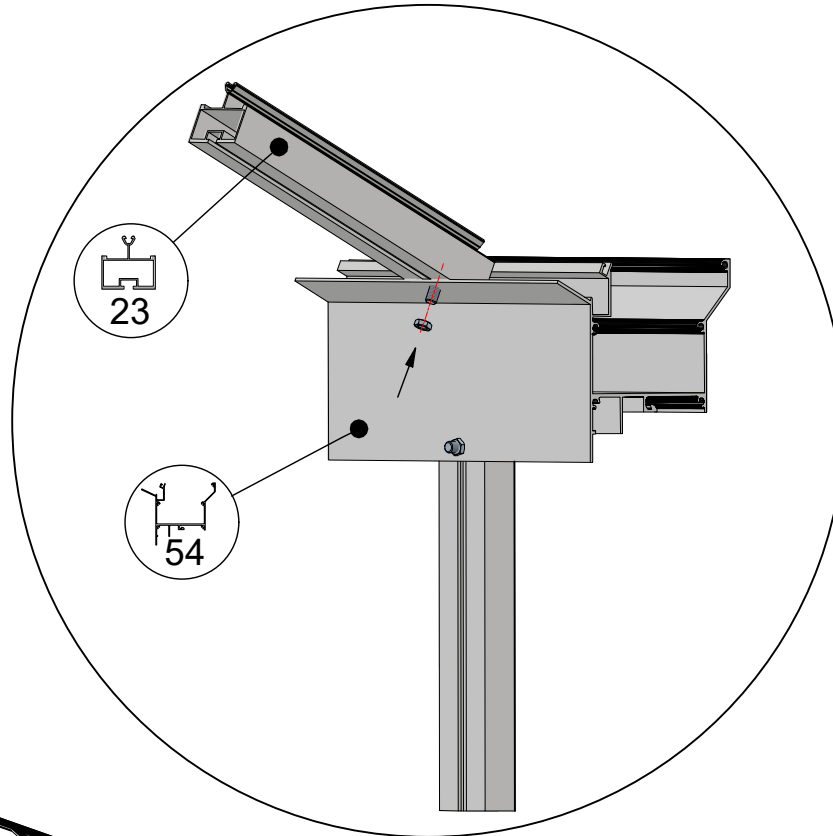


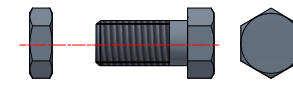
 = 4,8x16

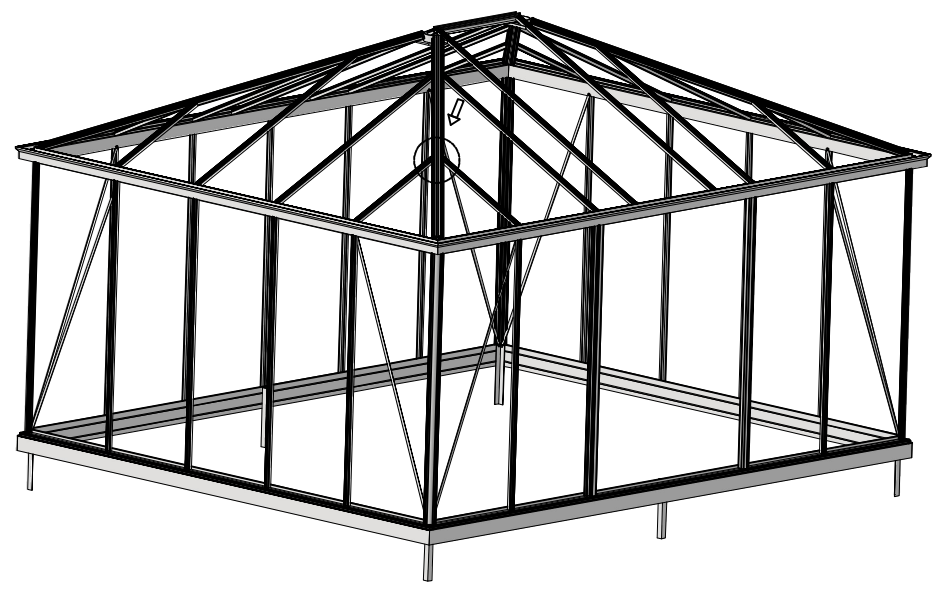
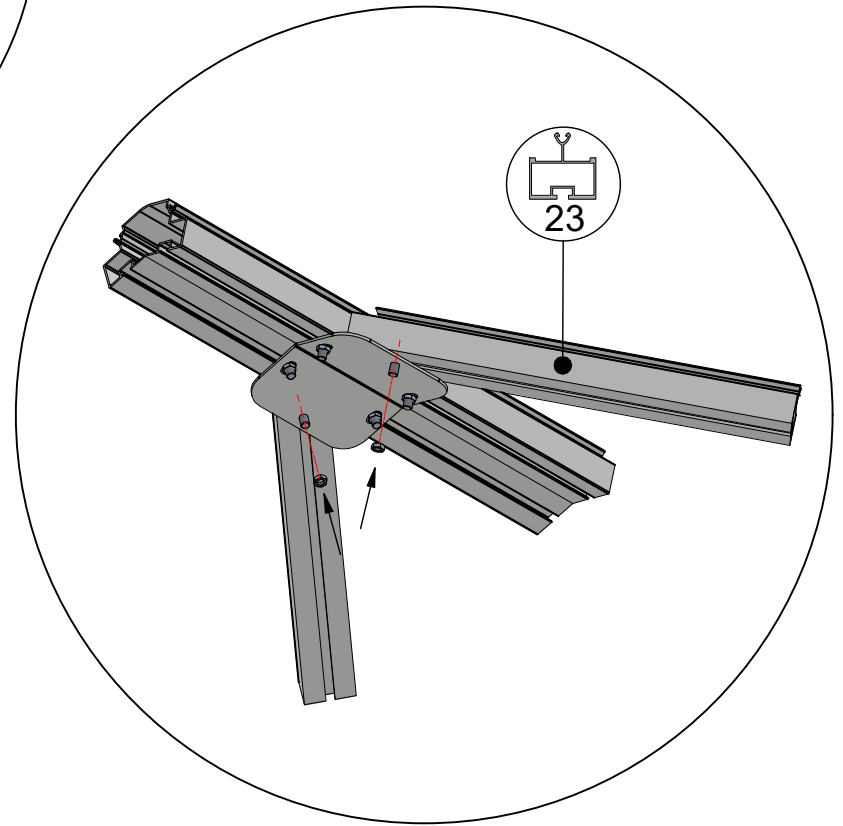
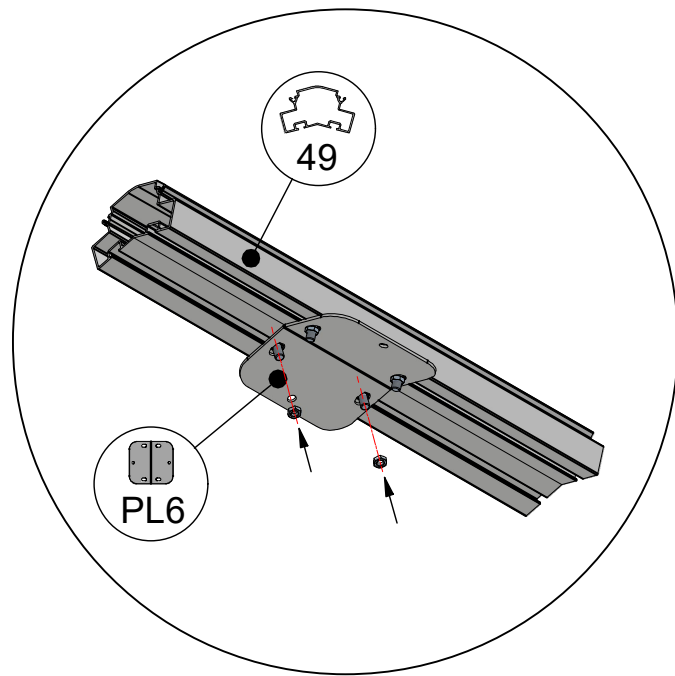
$\varnothing = 4\text{mm}$ 



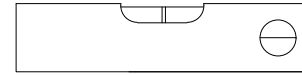
 = M6x12



 = M6x12

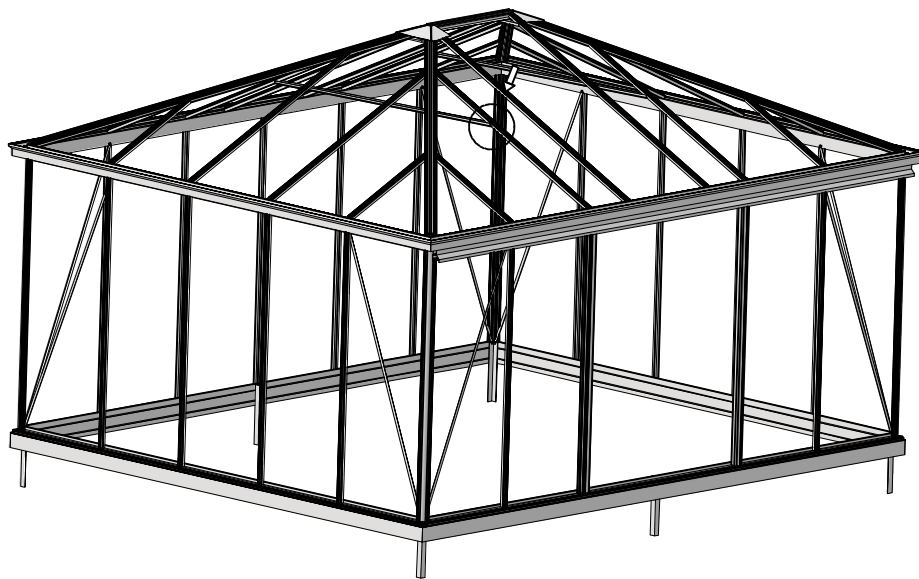
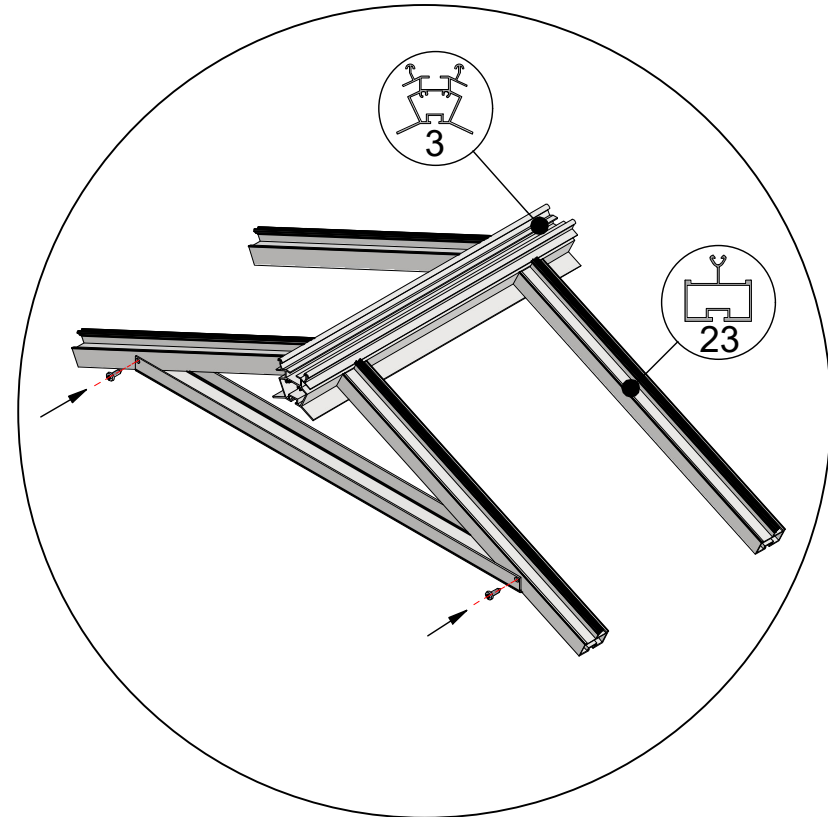
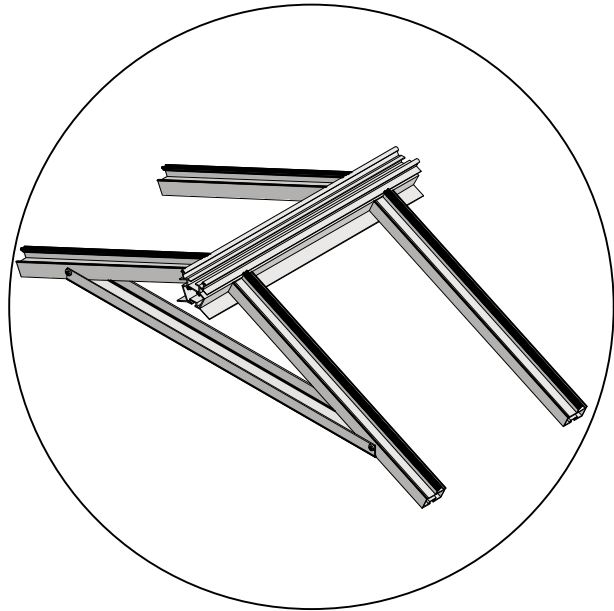
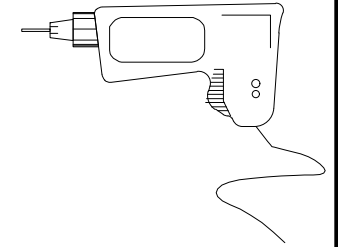



≥ 3,80x5,30m

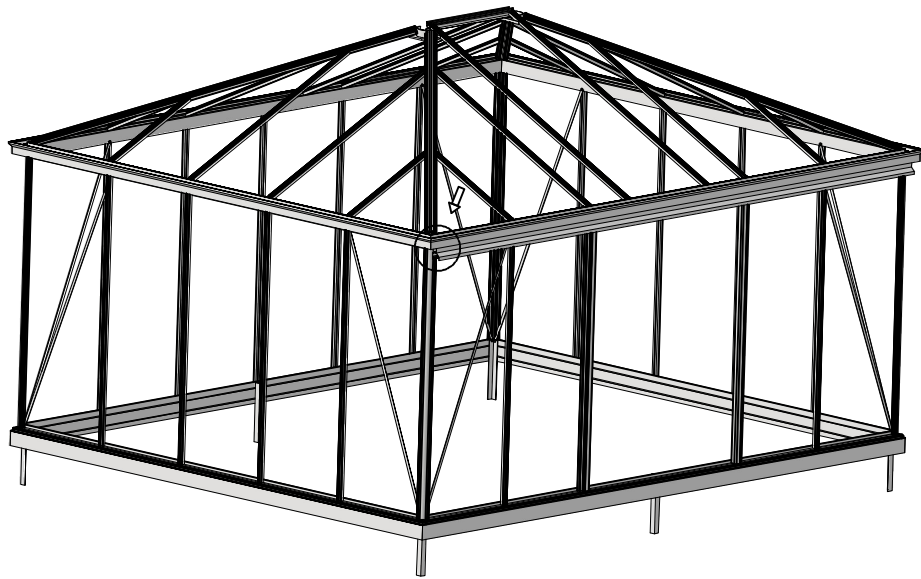
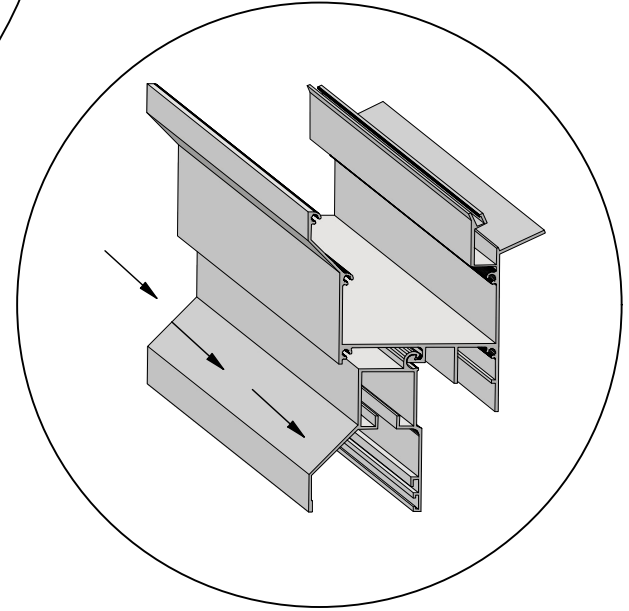
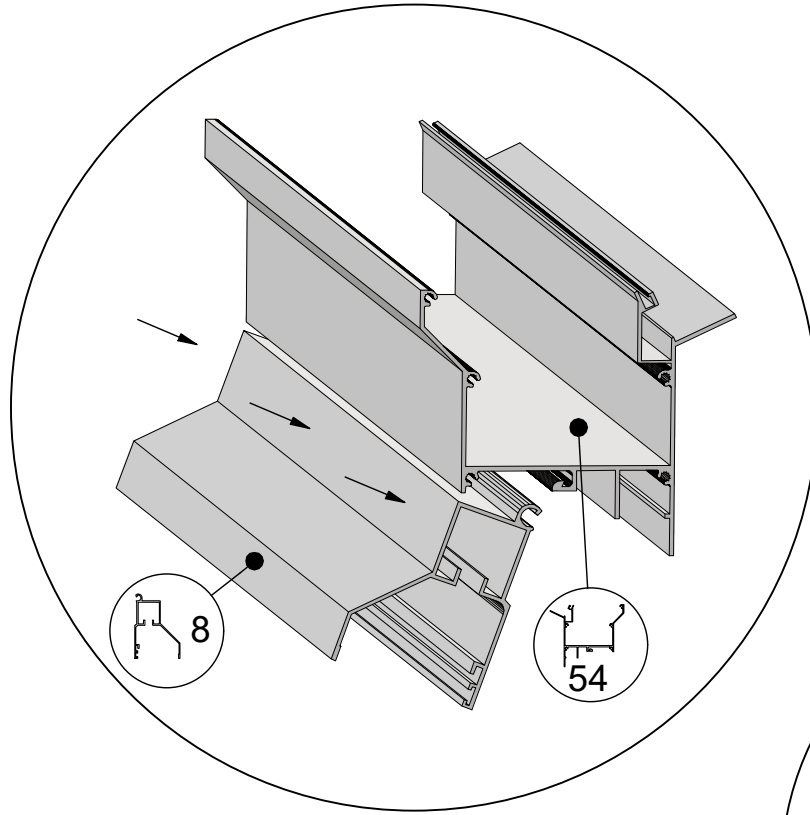


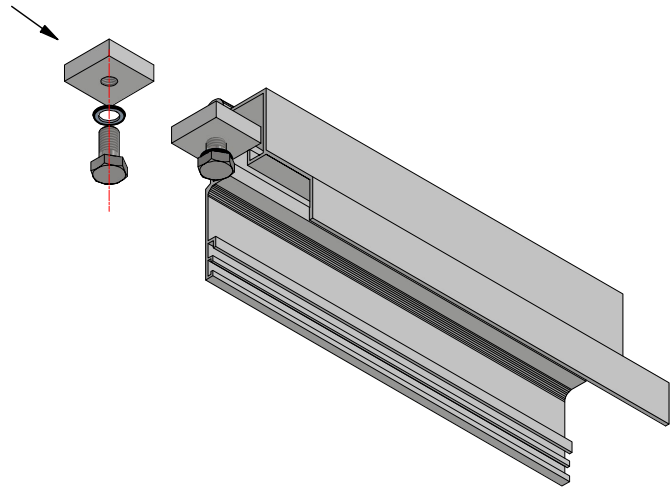
= 4,8x16

∅ = 4mm

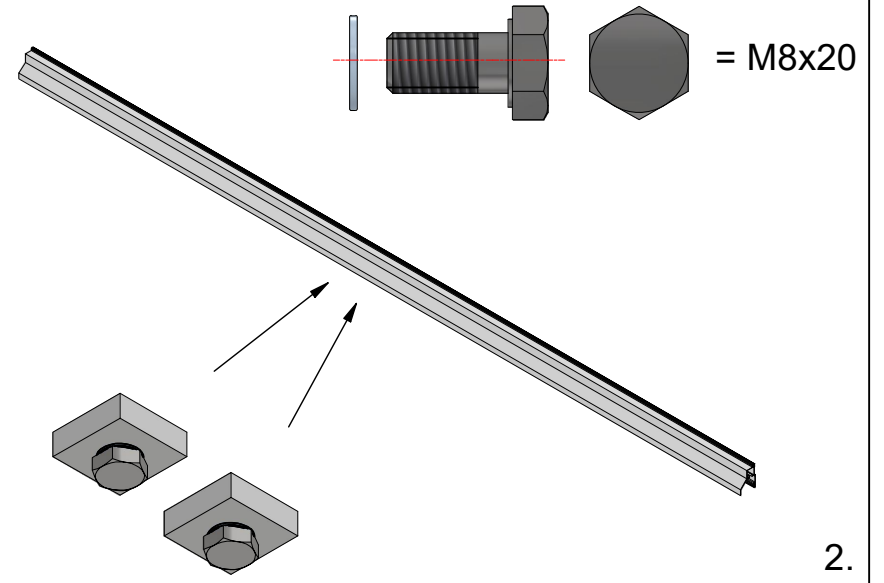


 = M6x12

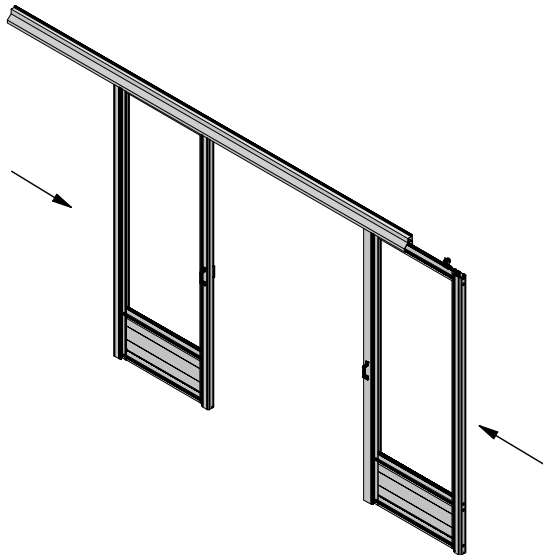




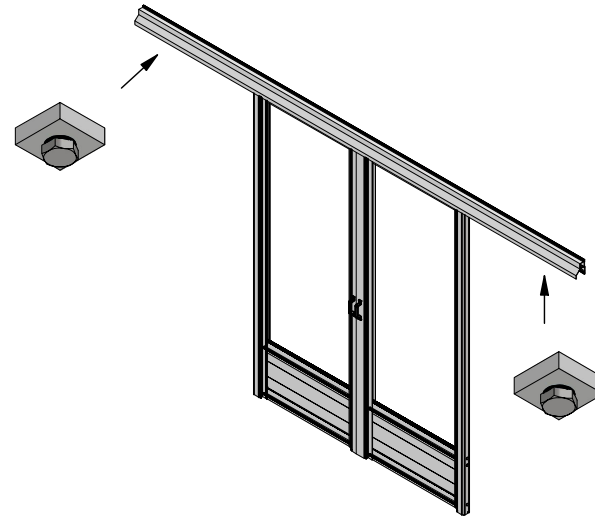
1.



2.

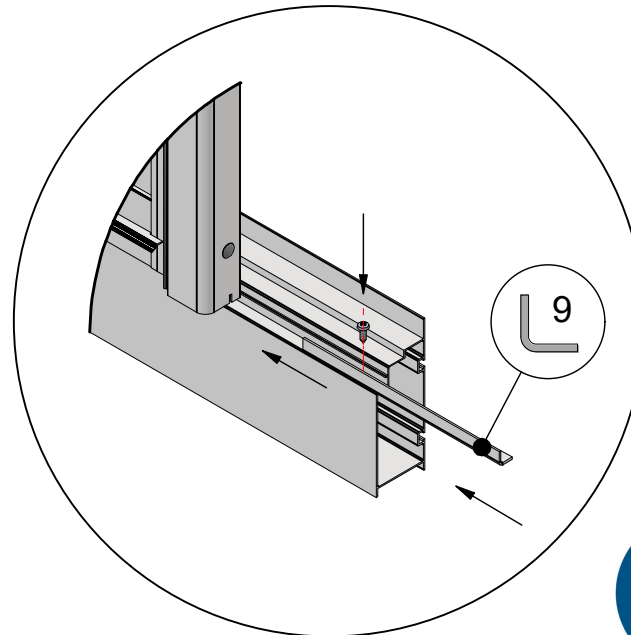
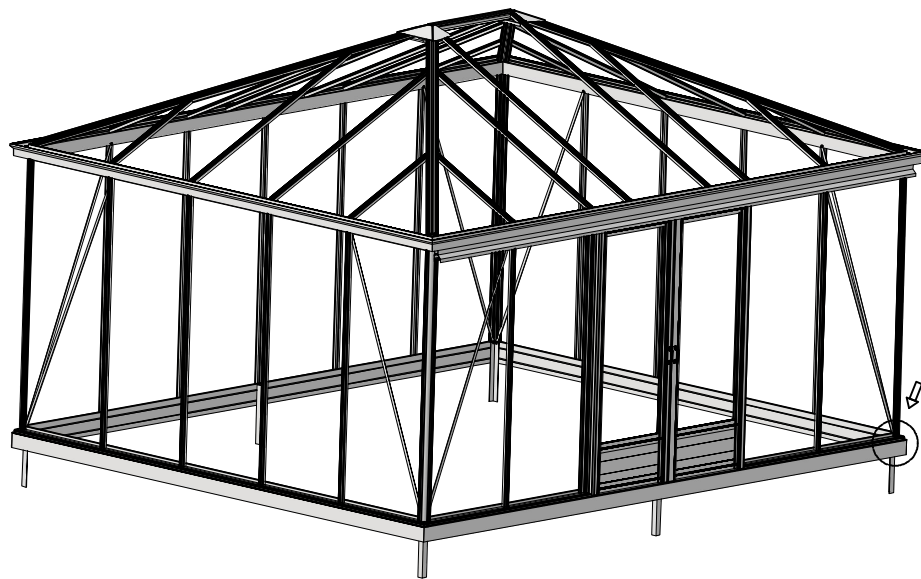
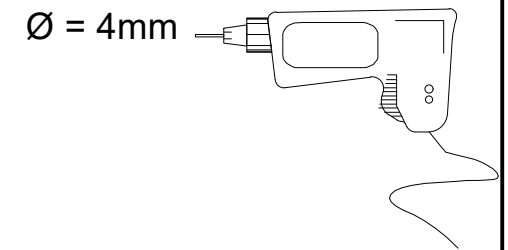
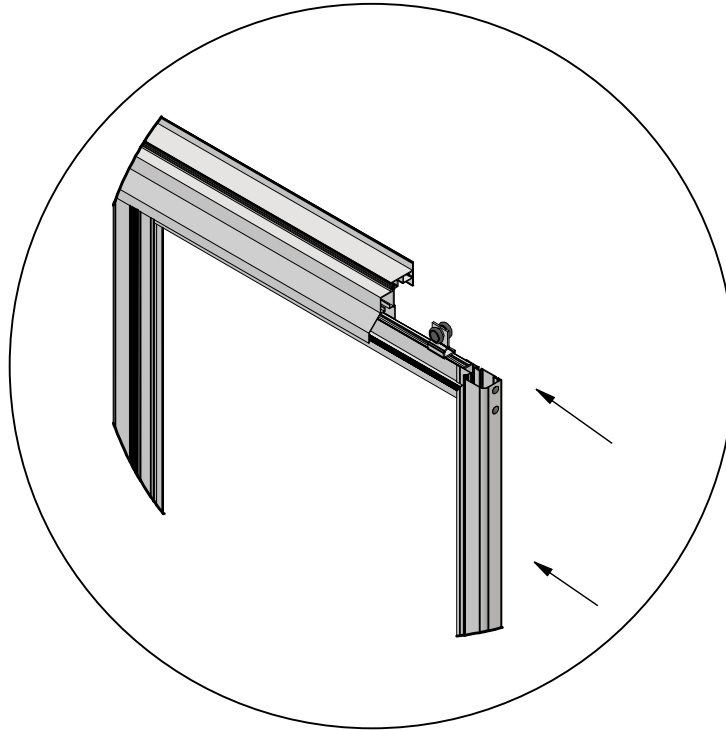
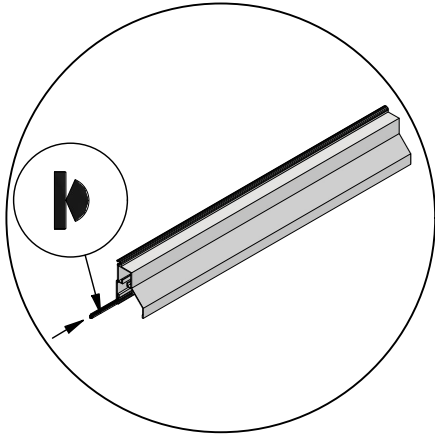


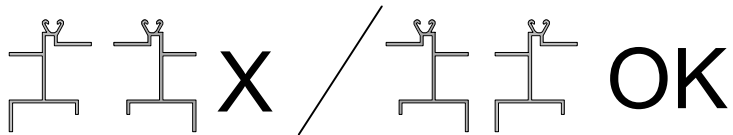
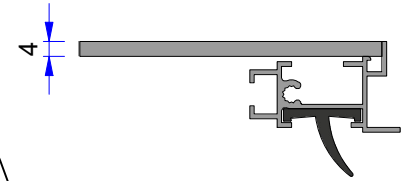
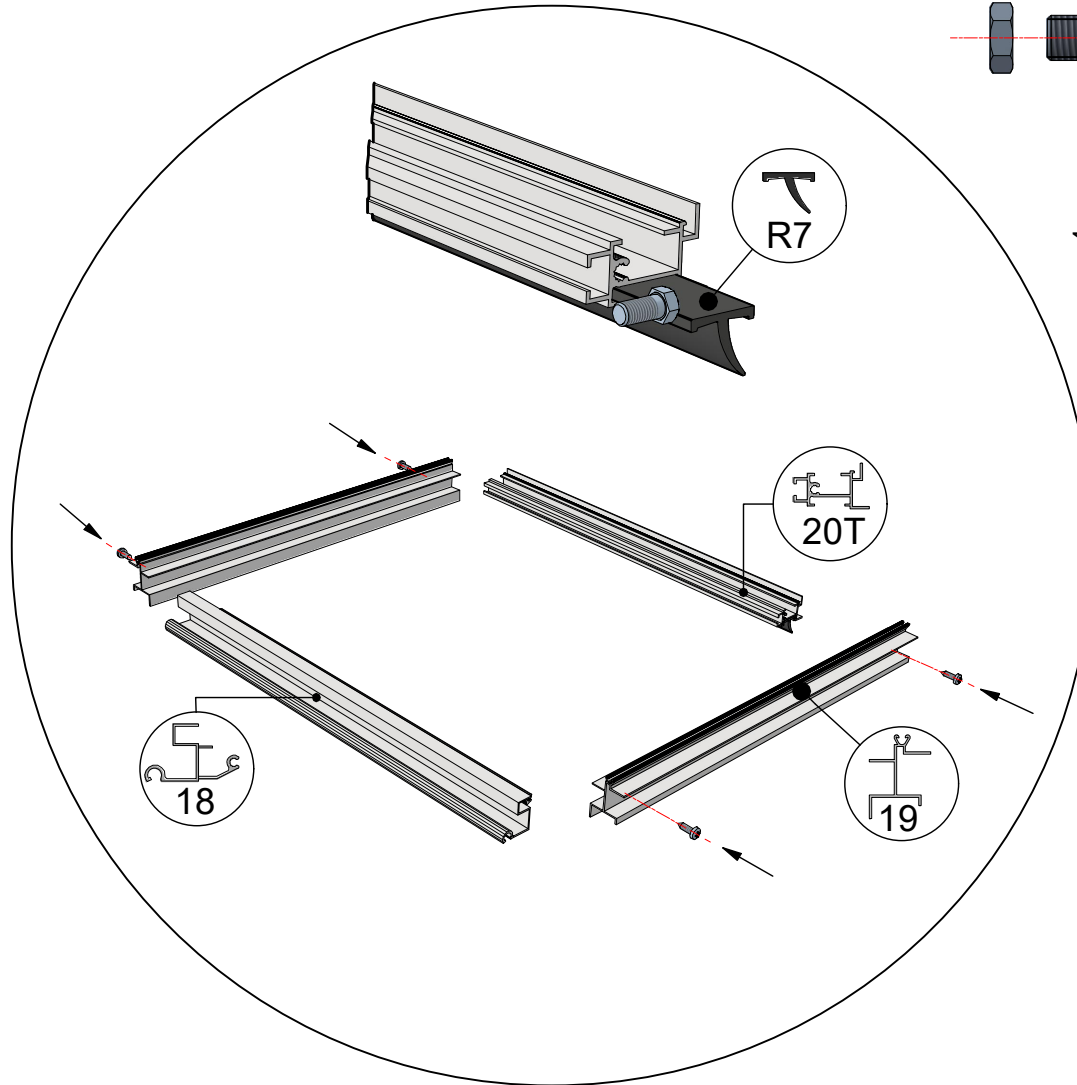
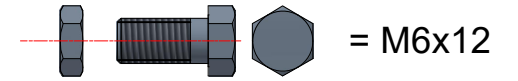
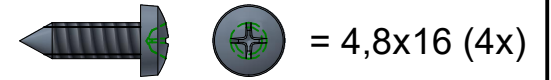
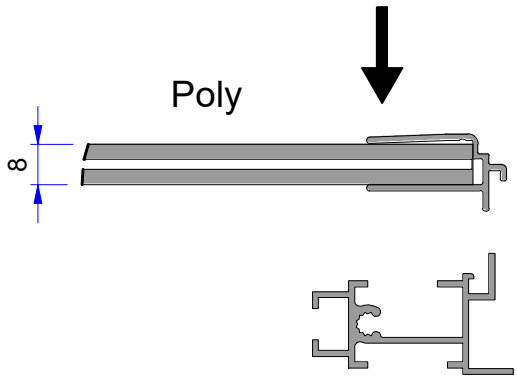
3.

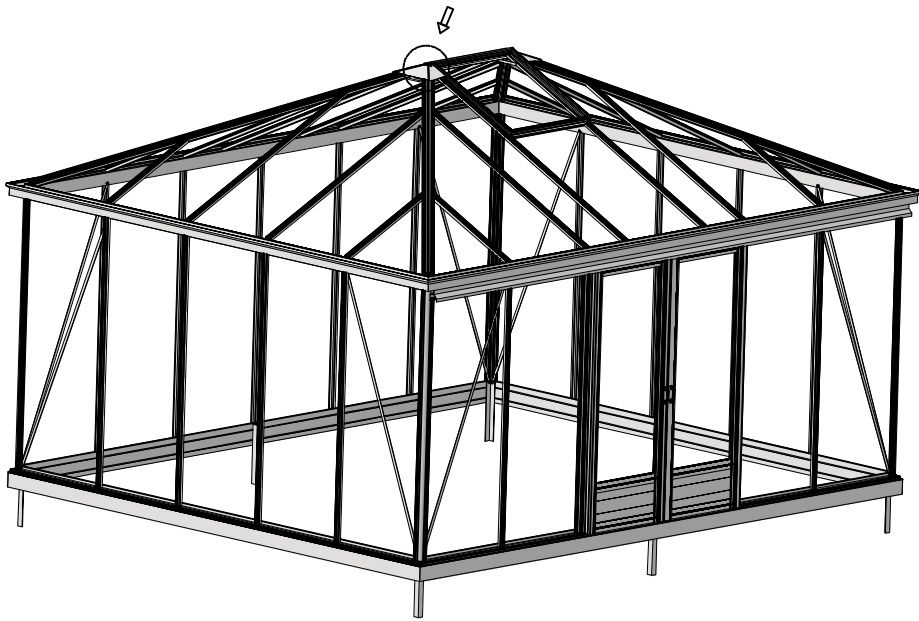
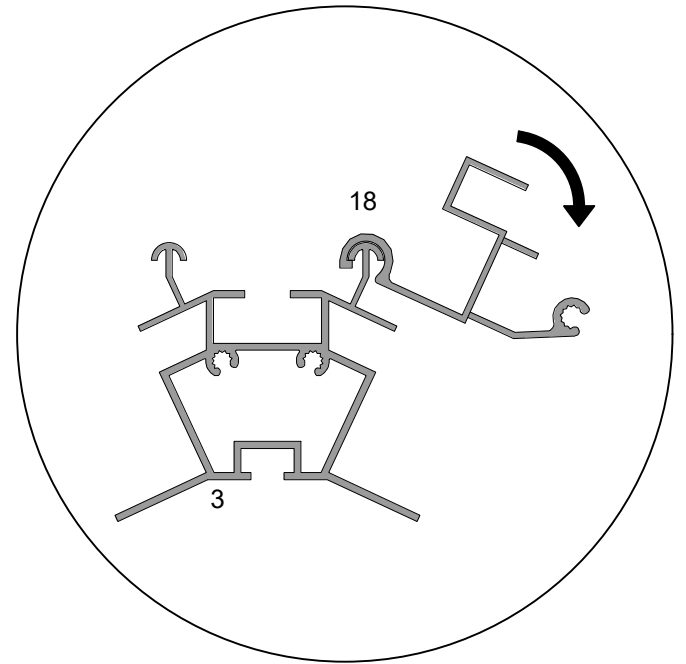
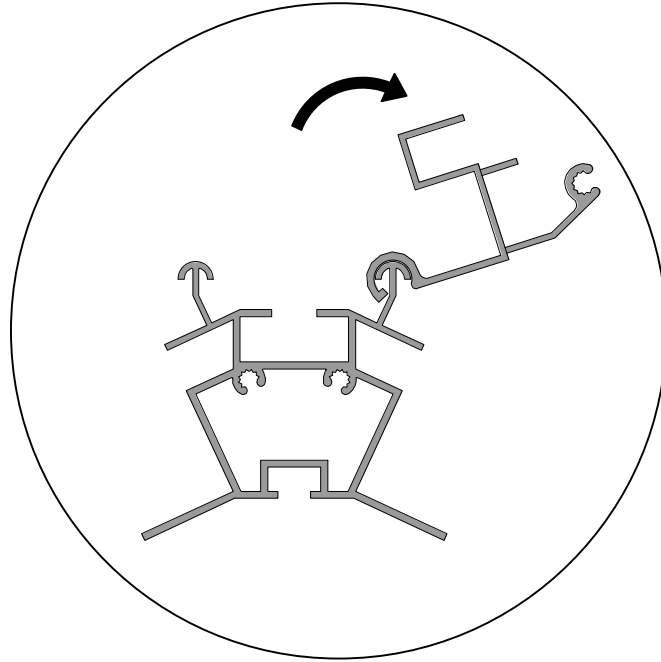


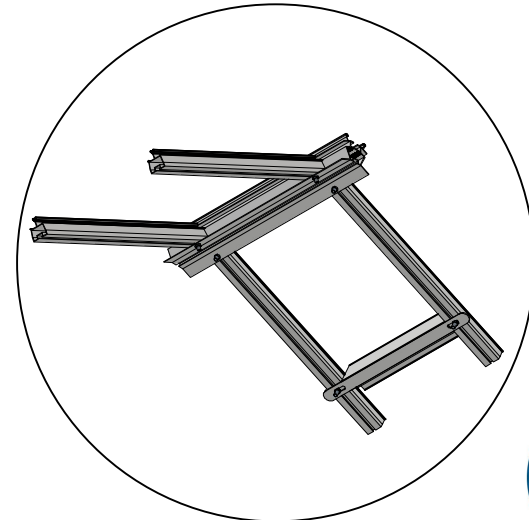
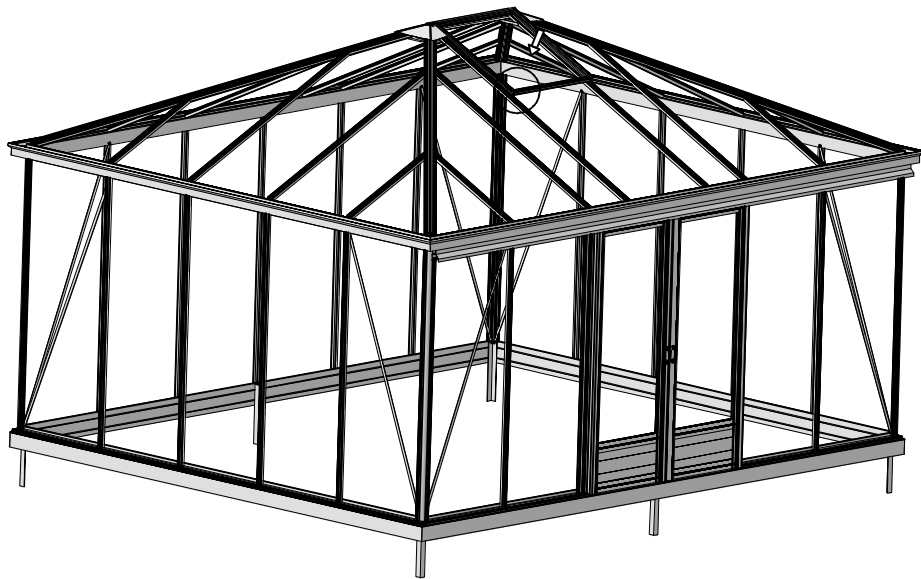
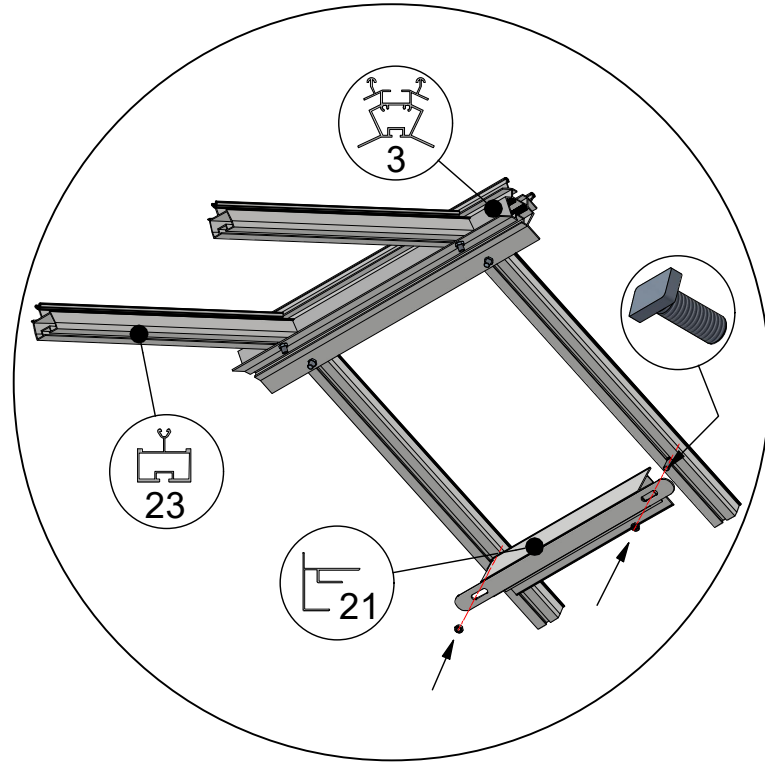
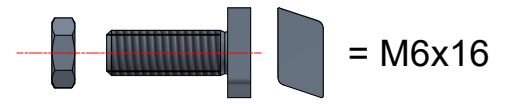
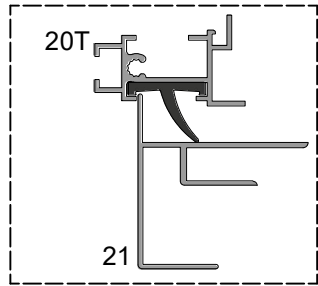
4.



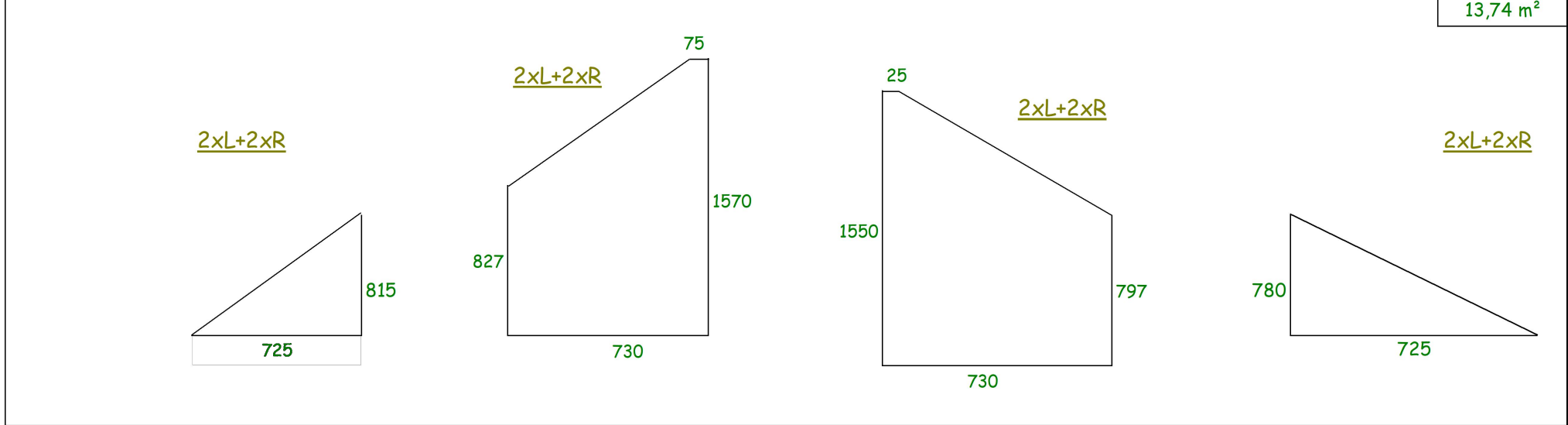




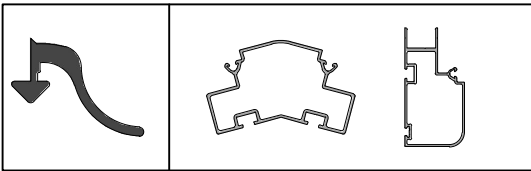
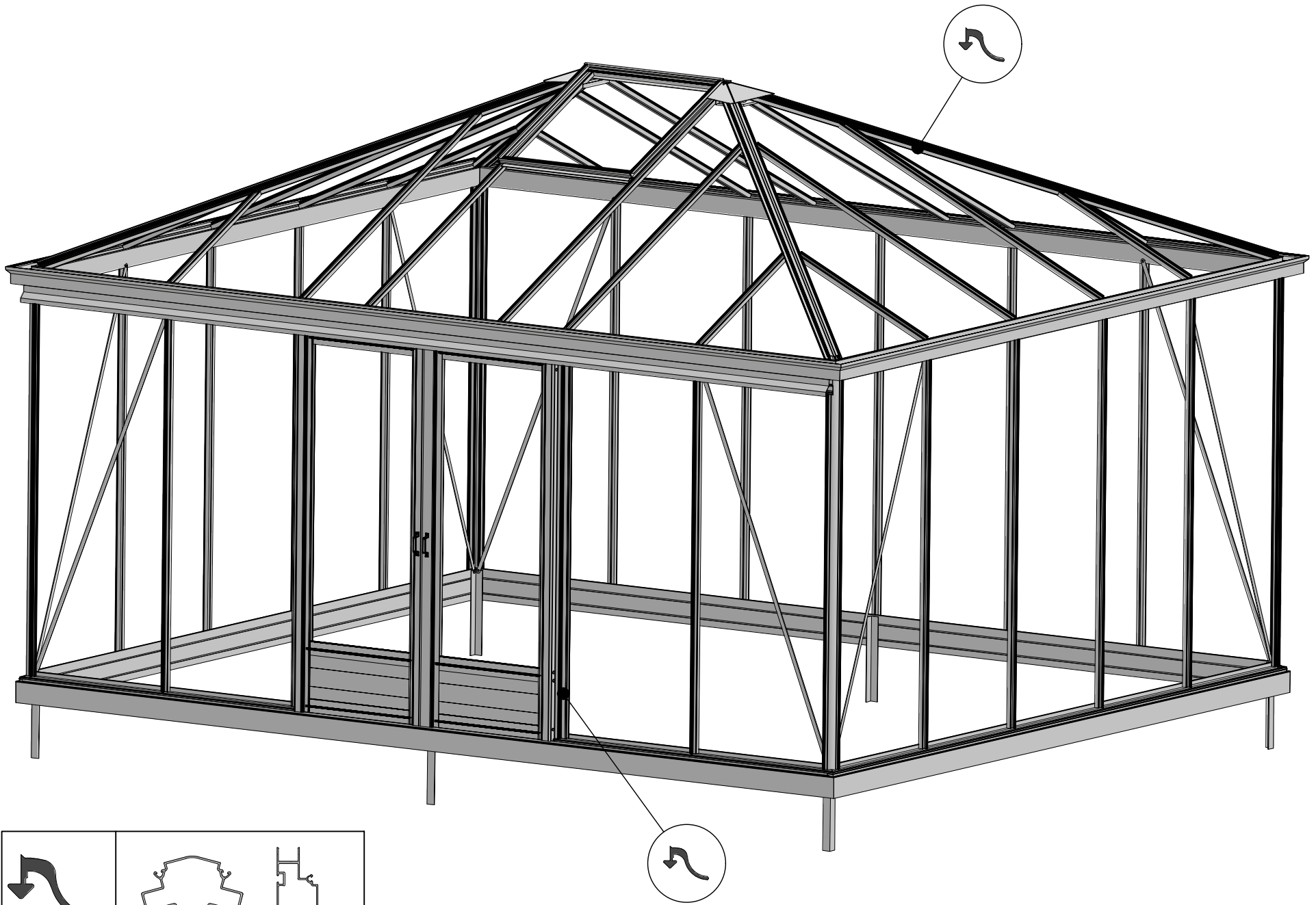


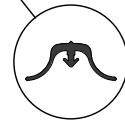
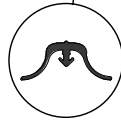
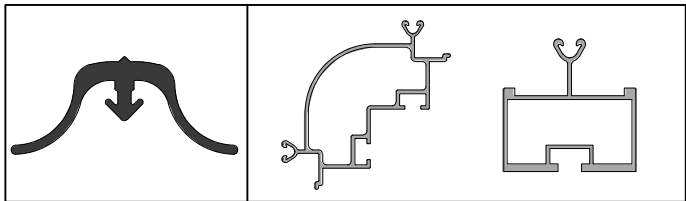
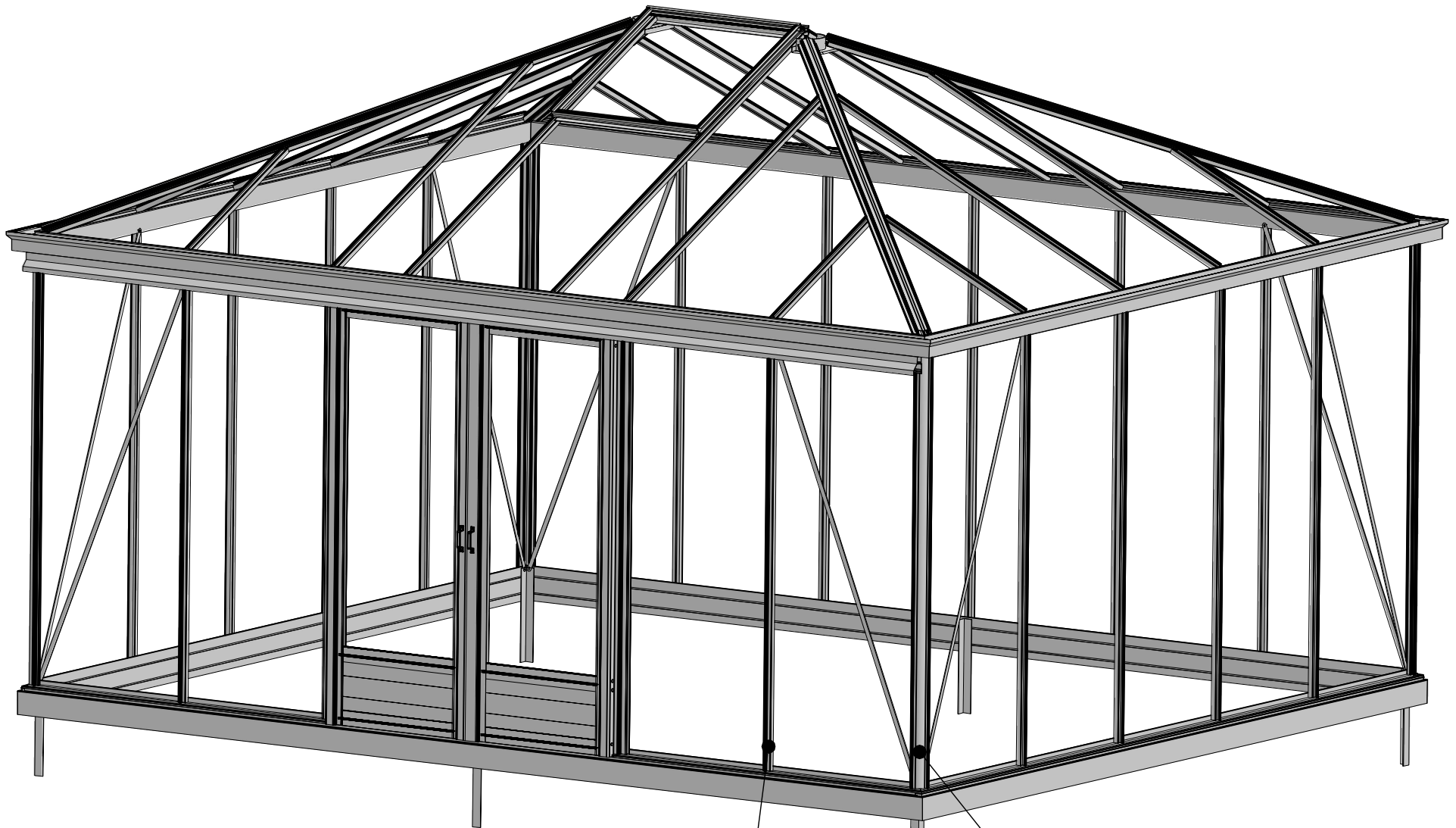


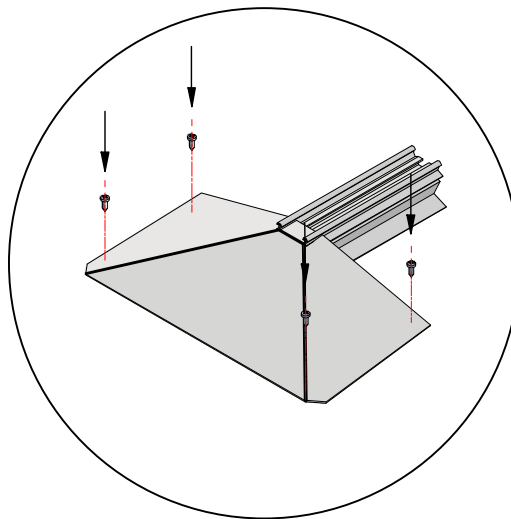
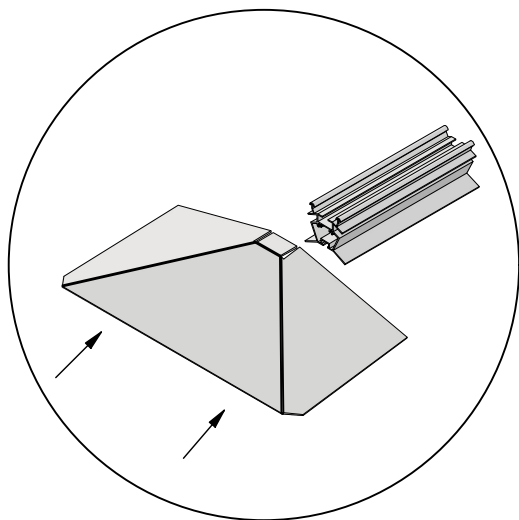
Glass Dimensions Nv Euro-serre			Pyra Stretched 3,09m				GlassH: 1850						
Glass Size 730mm			Sides		Size Lenght x Wide								
			1850 x 730	855 x 600	1850 x 360	825 x 730	1010 x 730	1650 x 360 x	1650 x 730 x			m ²	m ²
Pyra Stretched	3,09	x 3,80	13	4	2	2	2 x		2 x			26,0	0,0
Pyra Stretched	3,09	x 4,57	18	4		4		4 x				31,1	0,0
Pyra Stretched	3,09	x 5,30	19	4	2	4			4 x			36,3	0,0
Pyra Stretched	3,09	x 6,04	22	4		4			6 x			41,4	0,0
											13,74 m ²		



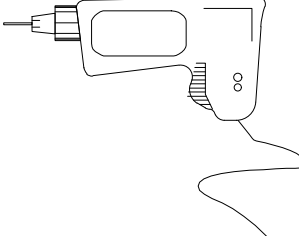


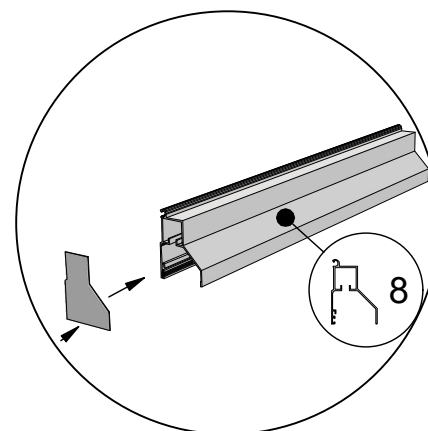
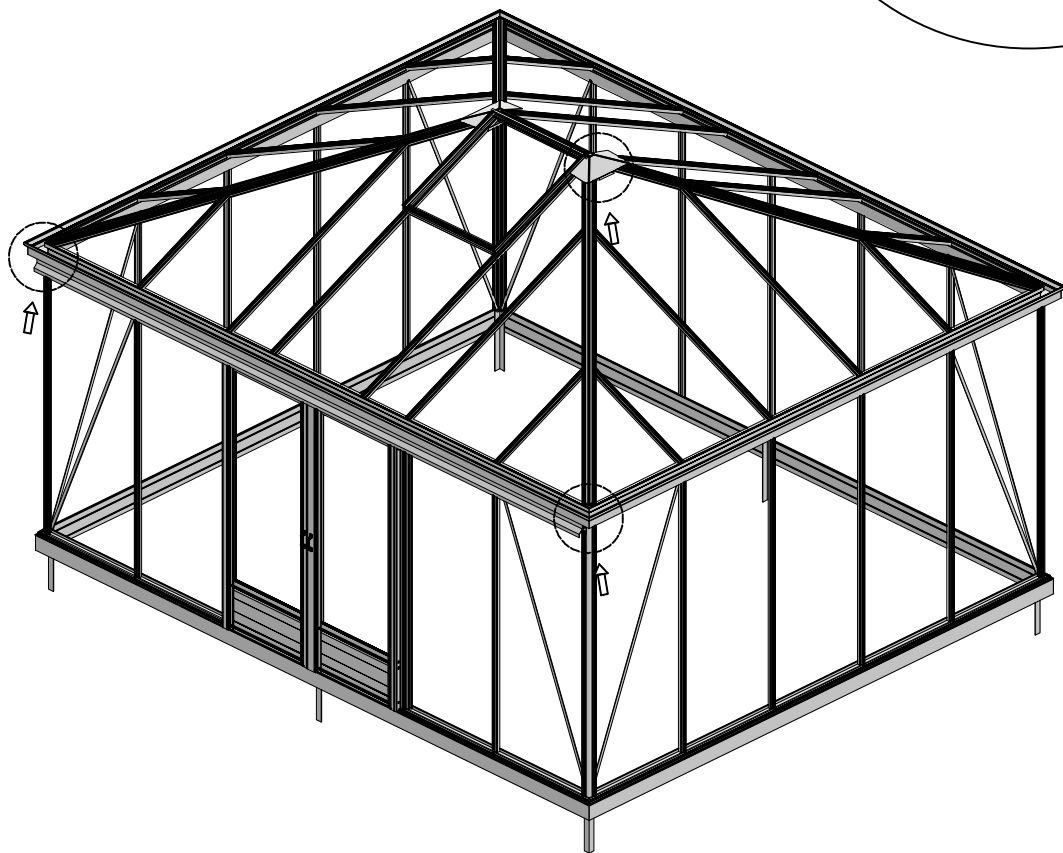
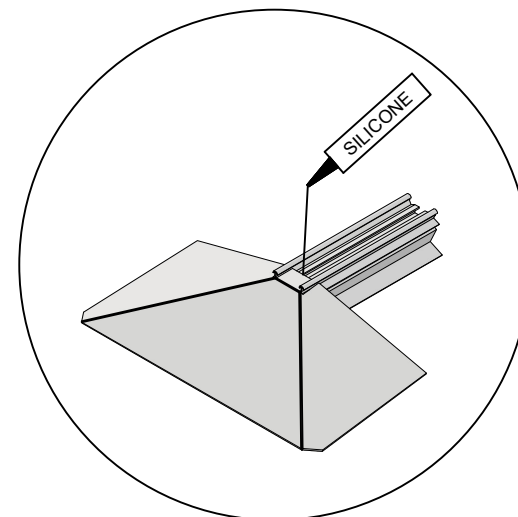




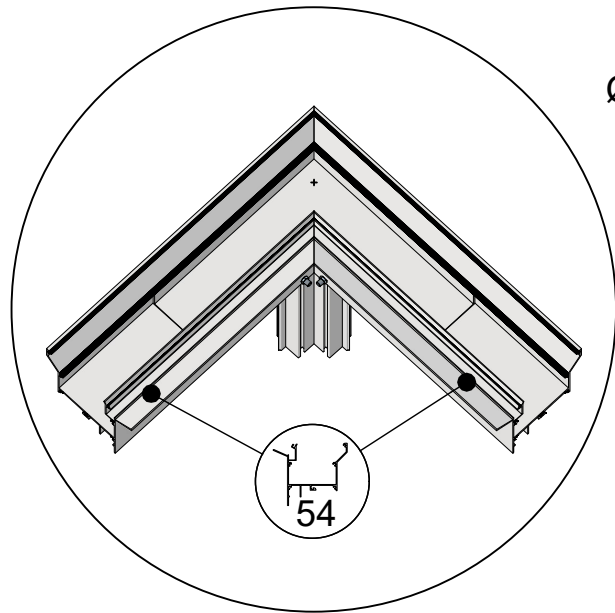


  = 4,8x16

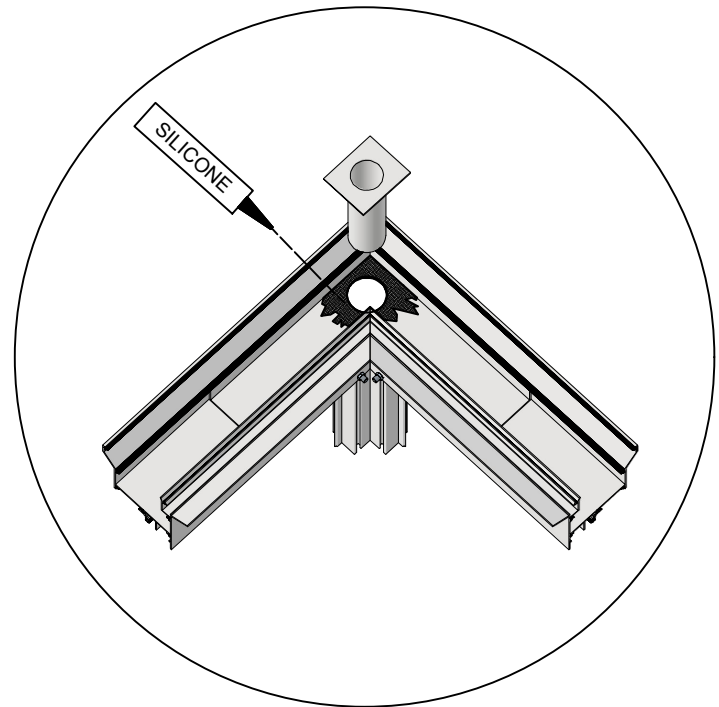
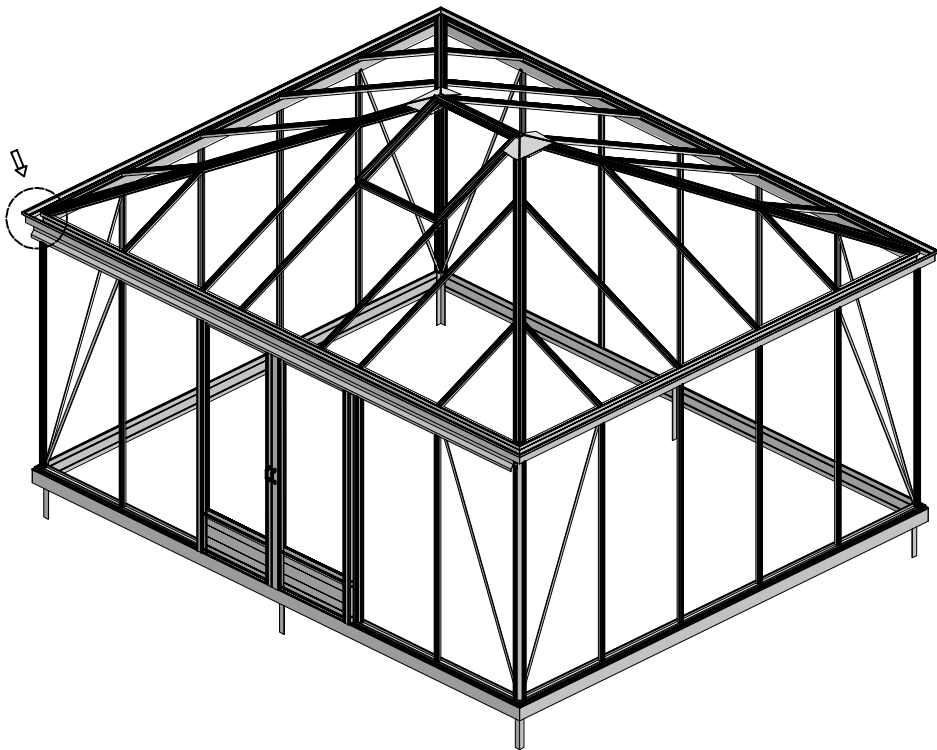
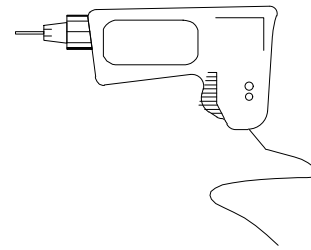
Ø = 4mm 

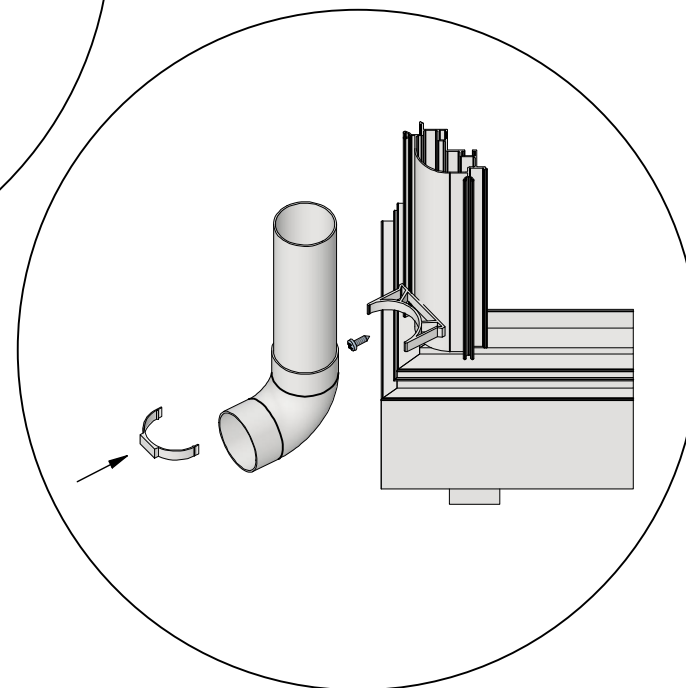
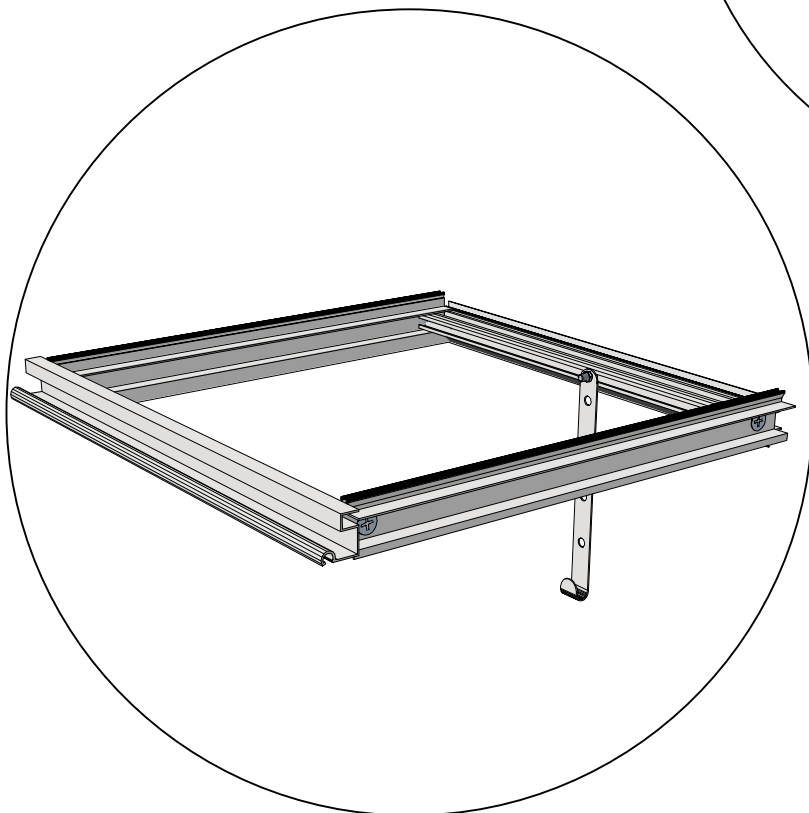
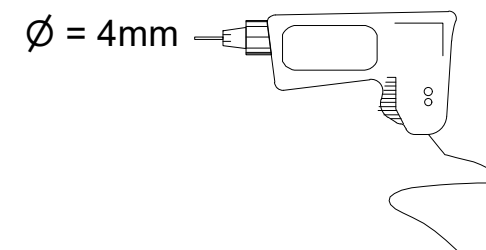
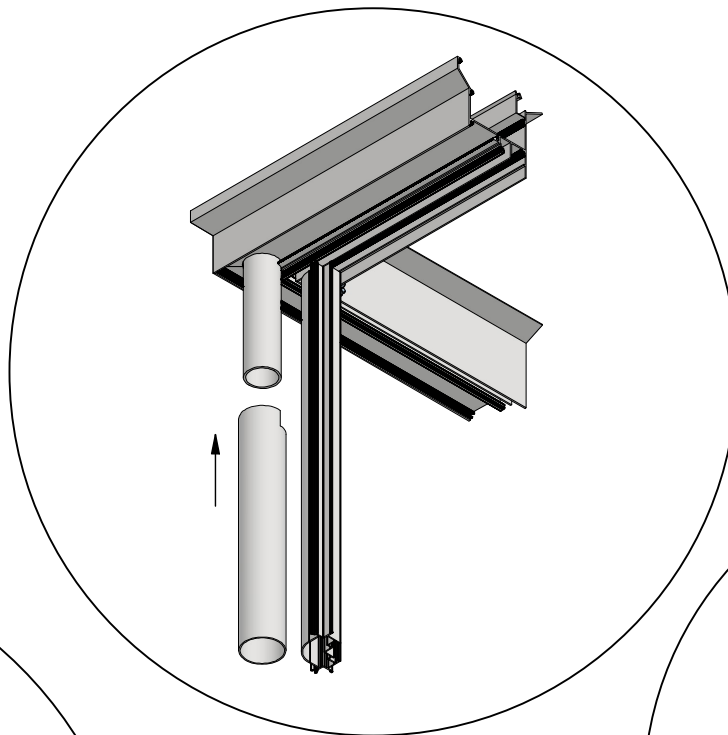
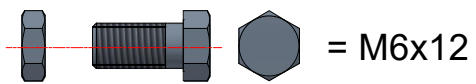


30



Ø= 42mm







Geleenlaan 1 - 3600 Genk

ref: Pyra Stretched-001 Rev. 05.10.2023

OCBS - 1148-CPR-20231003-989 C€

EN 1090-1 EXC 1

Euro-Pyra Stretched

www.euroserre.com/cecertificaten