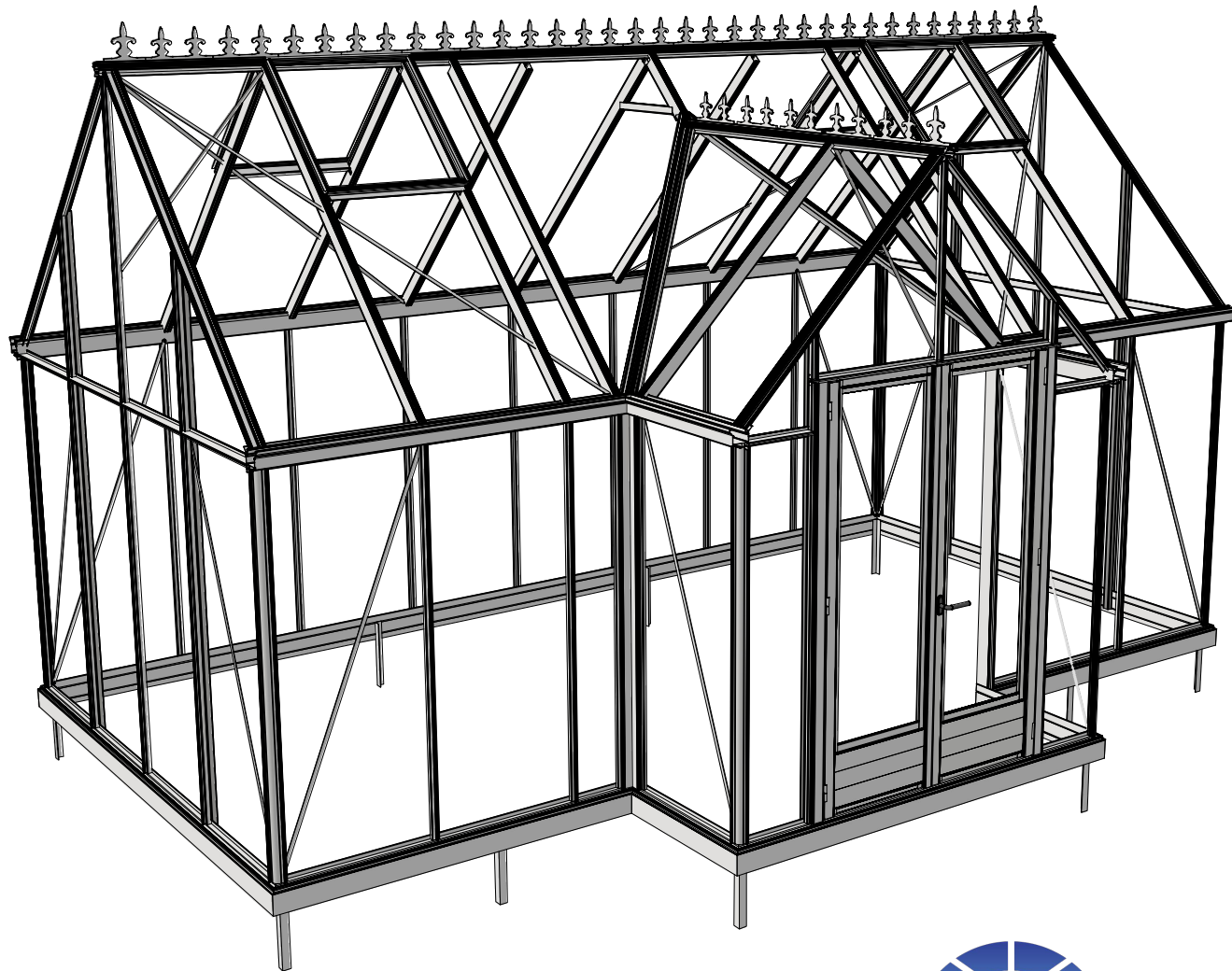
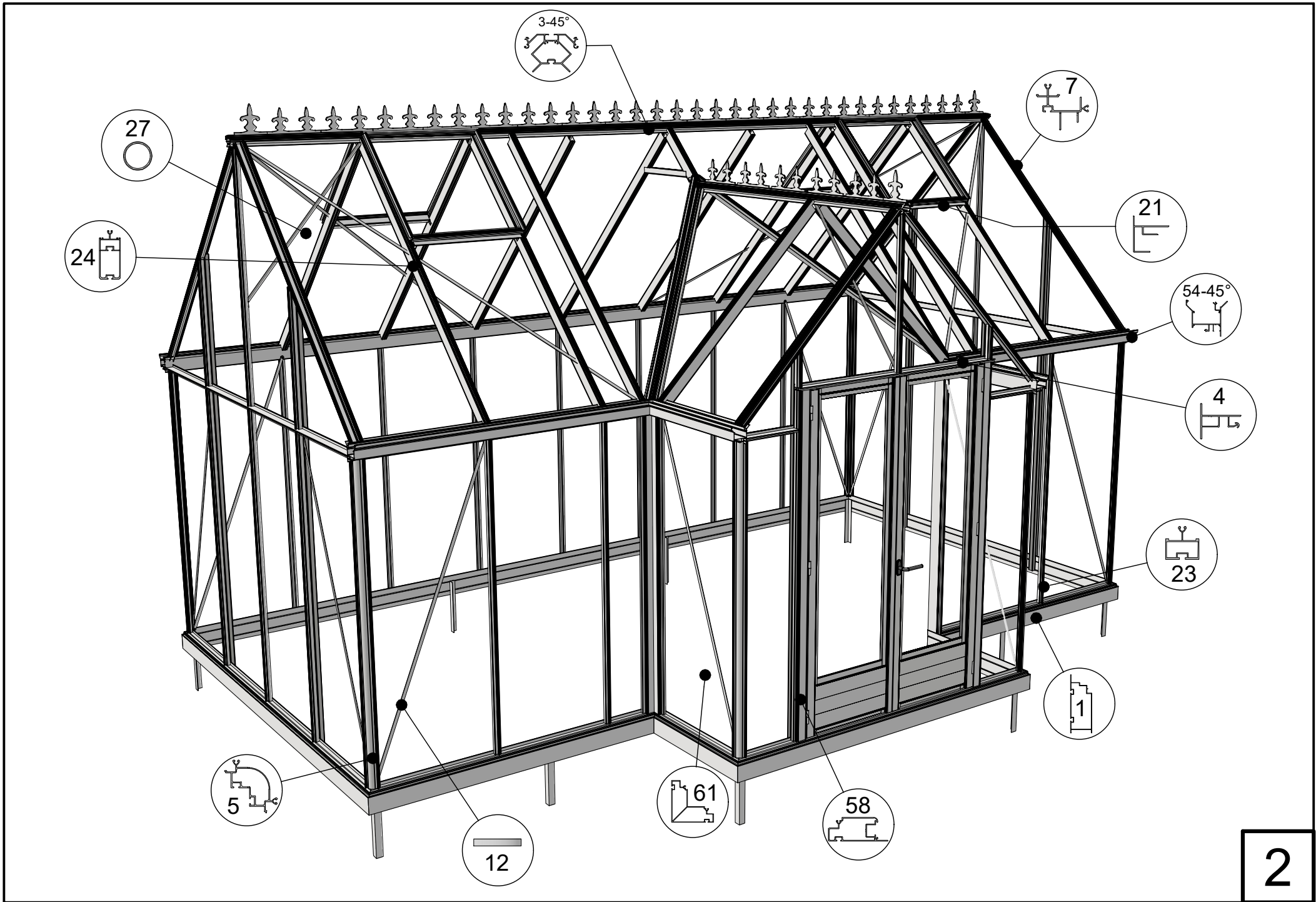


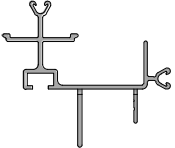
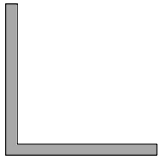
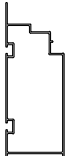

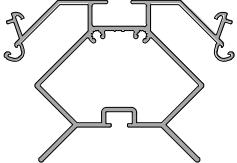
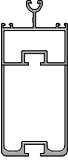

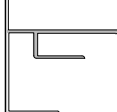
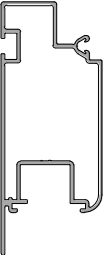

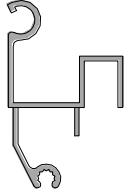
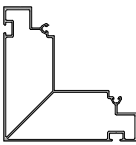
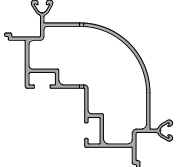
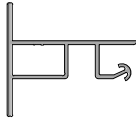
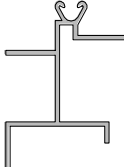

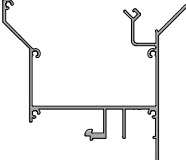
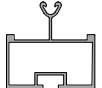

Victorian 2,36.




08-11-2023

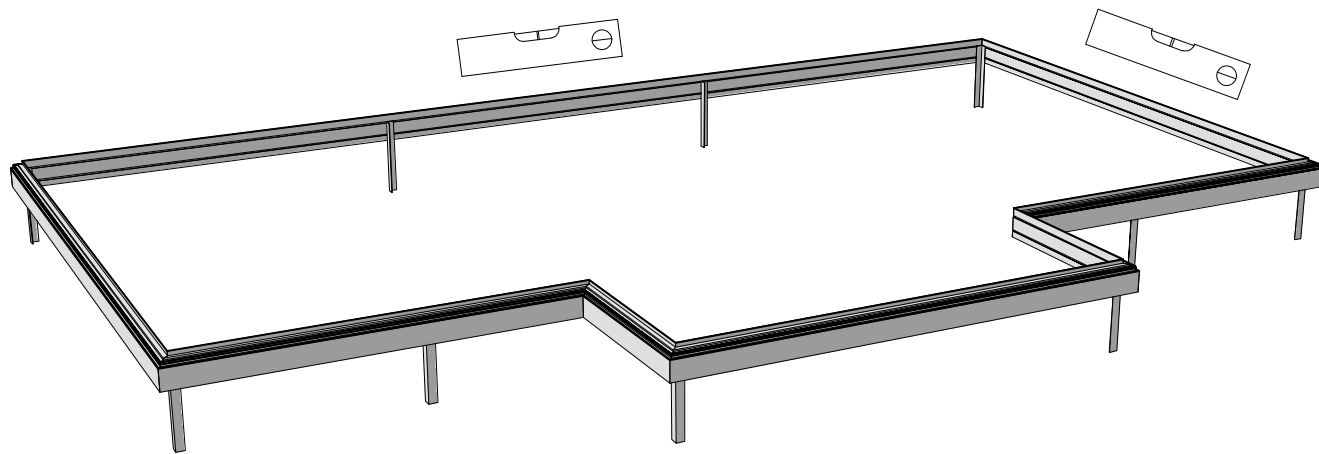
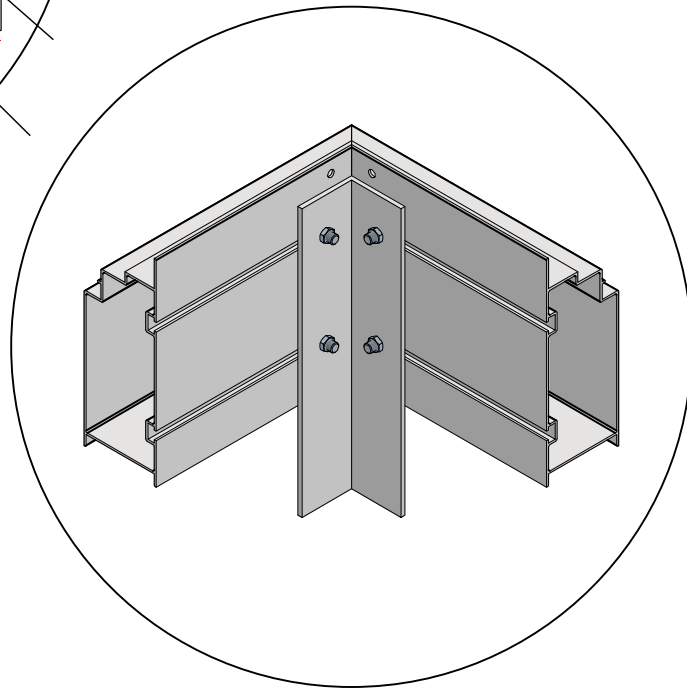
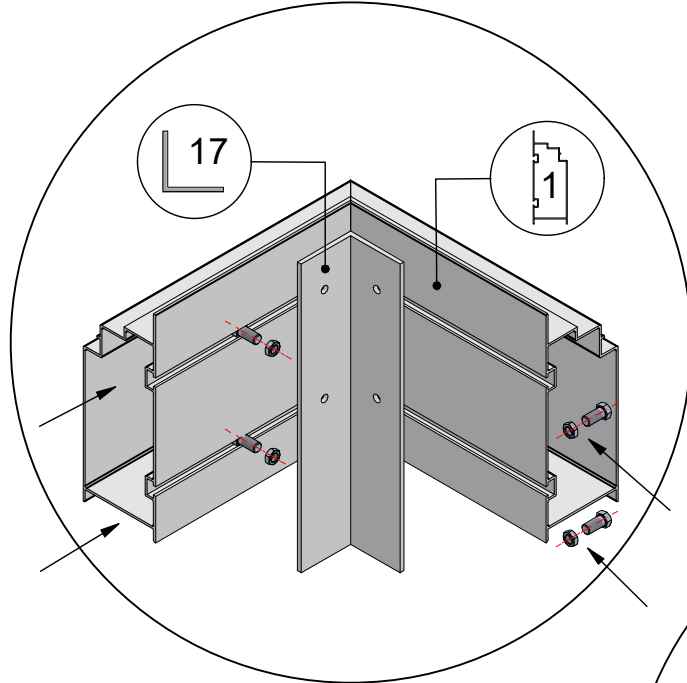
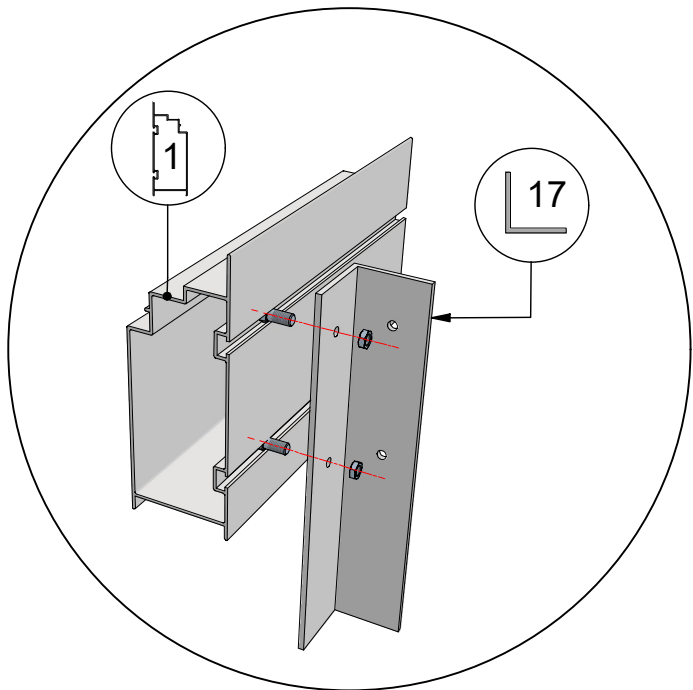


Profile list

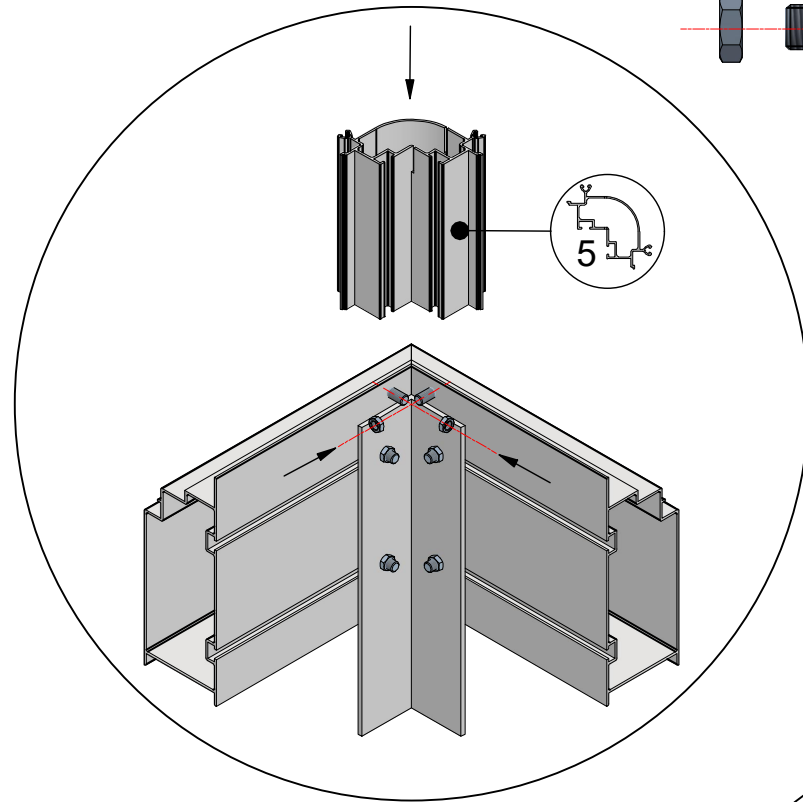
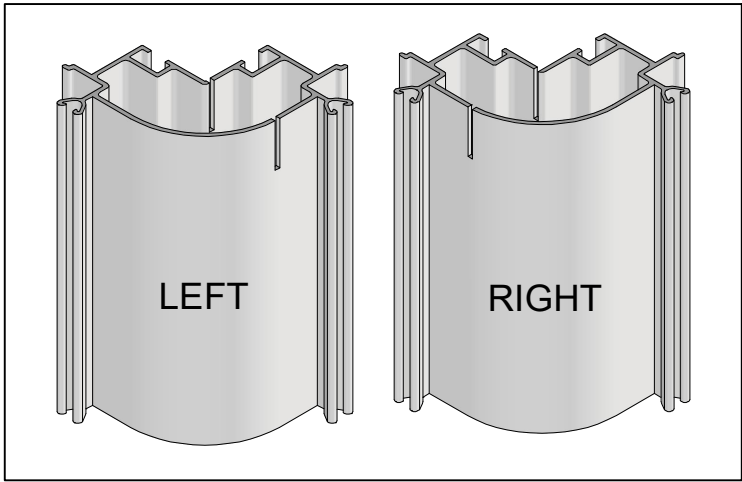
Profile list											
-	NR	Profile NR	-	NR	Profile NR	-	NR	Profile NR	-	NR	Profile NR
	7	7151		17	L40/40/2		1	17538		9	L15/15/2
	3-45°	15732		24	10968		12	7070		21	29577
	58	12960		27	B 18		18	17542		61	13994
	5	17548		4	17549		19	17543			K30/40
	54-45°	17540		23	17703		20T	28513			


- Attention! Check inside the foundation for more profiles.
- Please fasten screws and nuts hand-tight.
- Achtung! Prüfen sie das fundament für weitere profile.
- Schraube und Mutter bitte handfest festziehen.
- Opgelet! kijk in de fundering voor andere profielen.
- Bout en moer a.u.b. handvast aandraaien.
- Attention! Regarde à l'intérieur du fondation pour plussier profils.
- Serrez les écrous et vis à la main s.v.p.
- Observera at en del profiler ligger i sockelprofilen!!
- Dra åt skruven och muttern handfast.

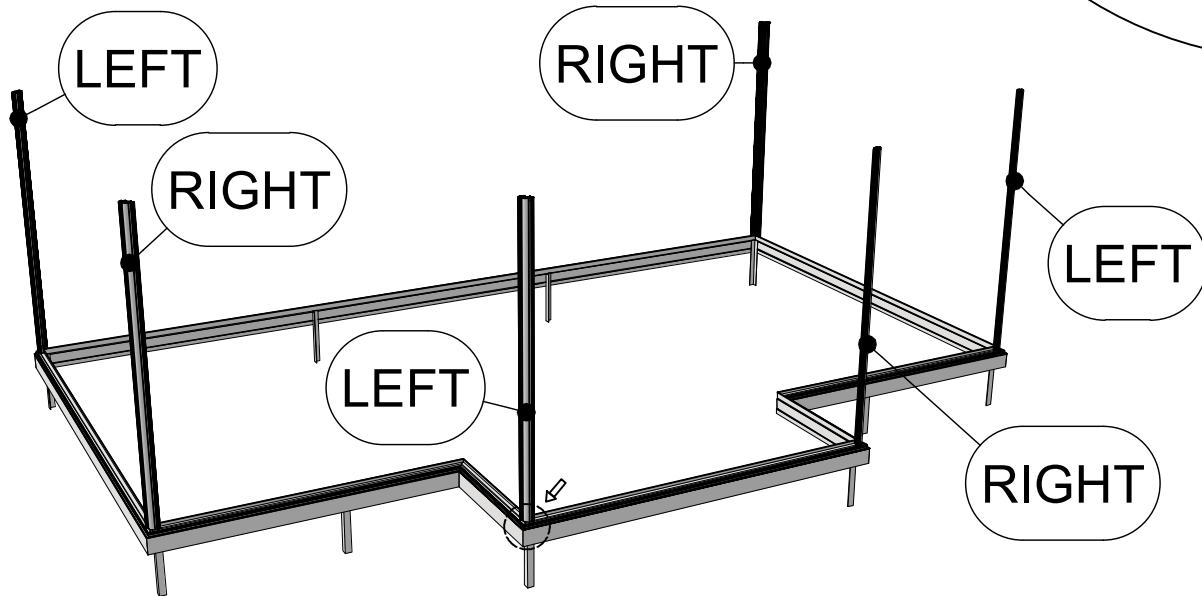
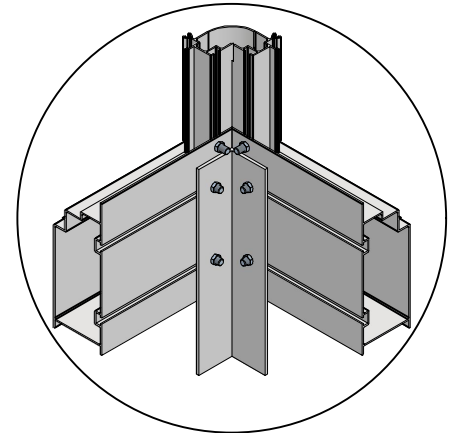
 = M6x12




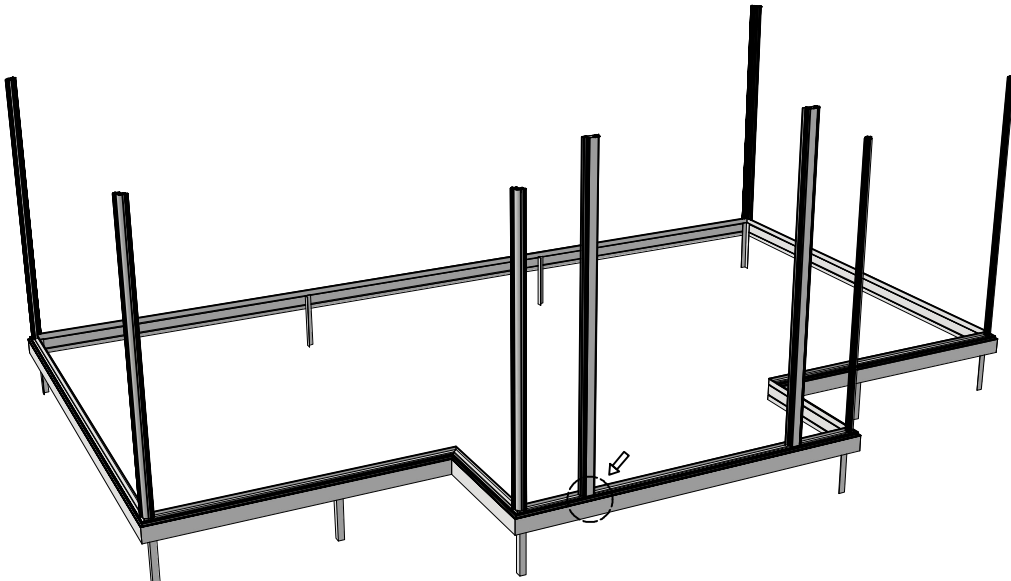
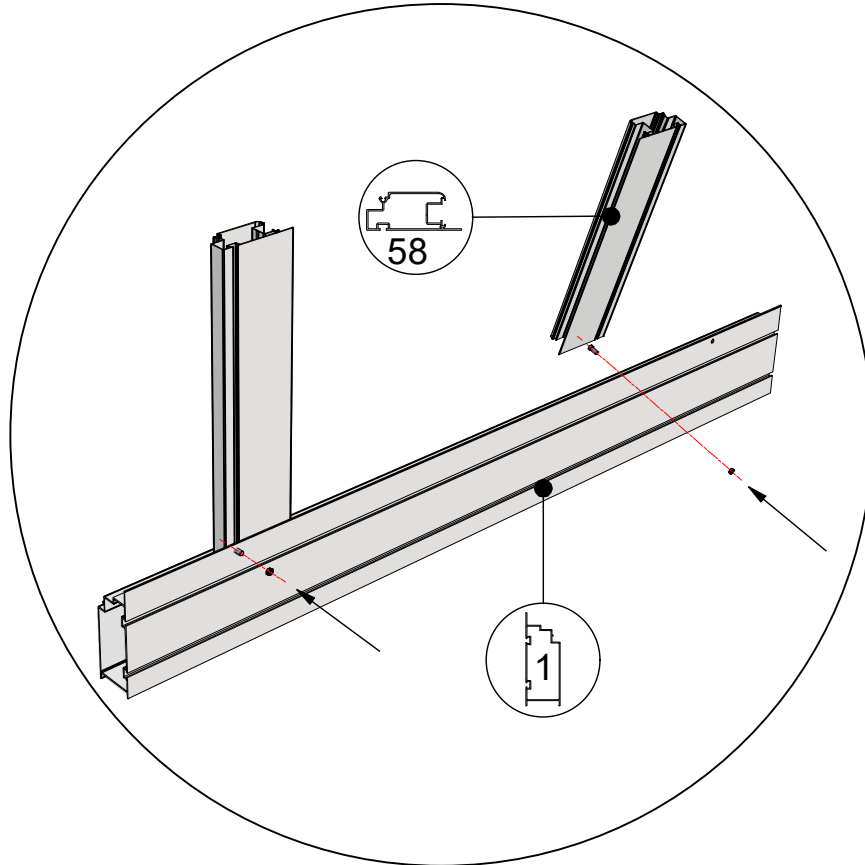
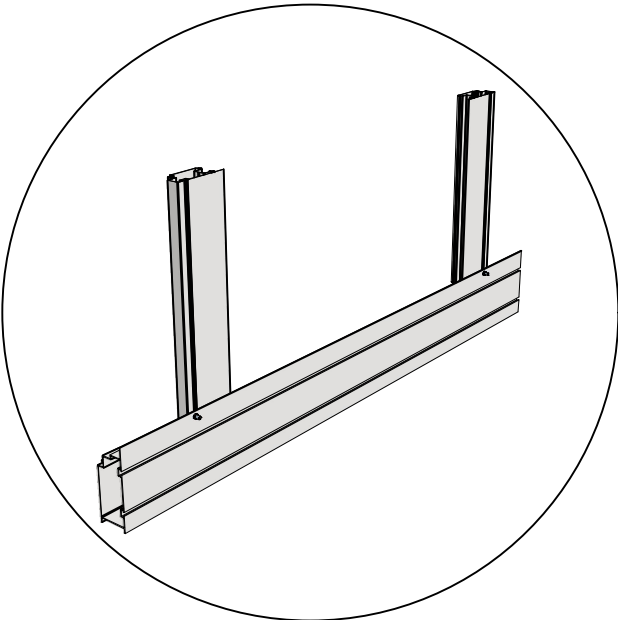
5




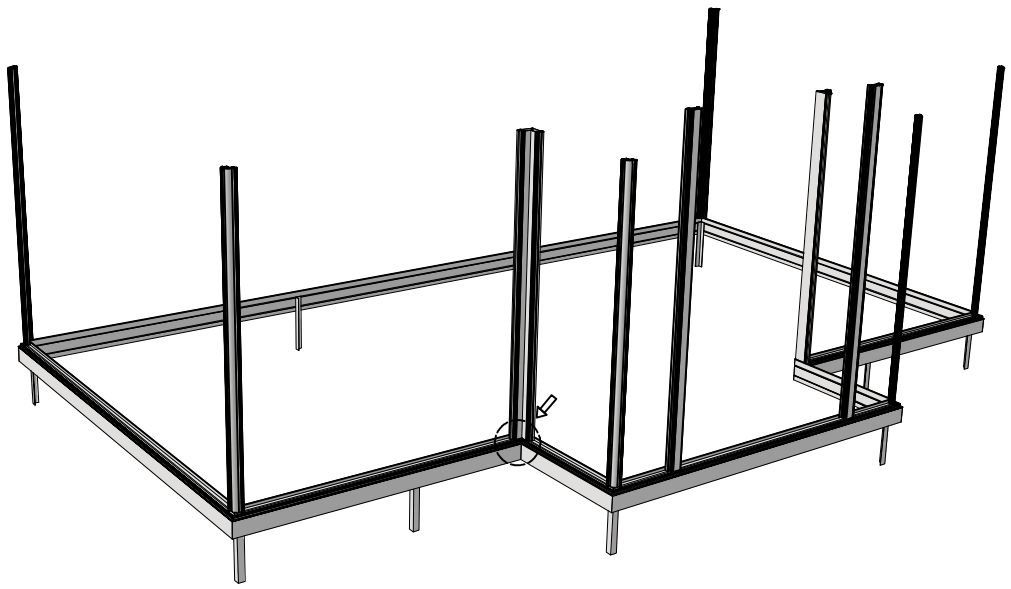
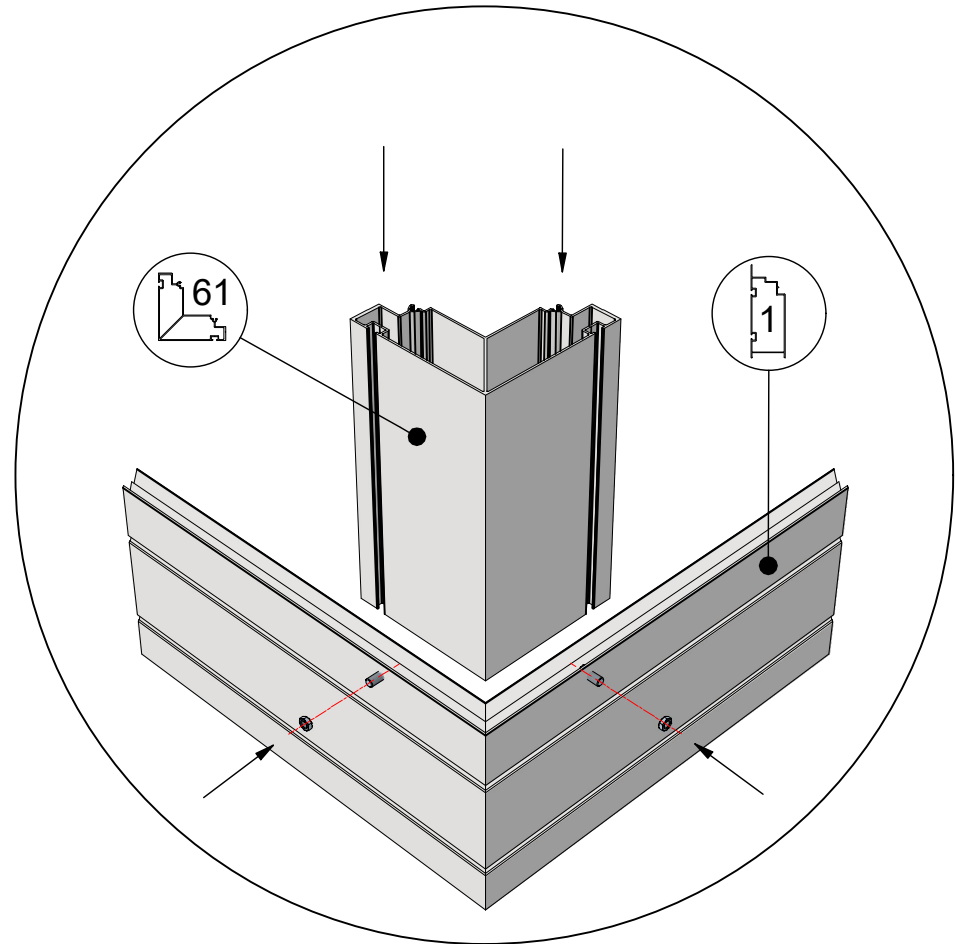
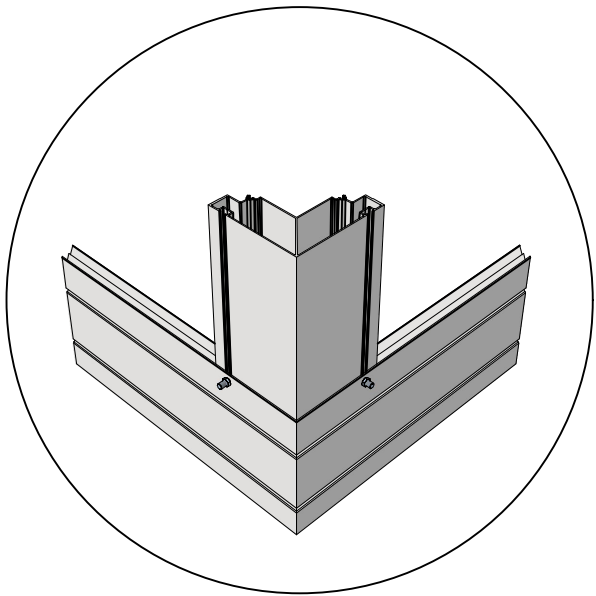
 = M6x12




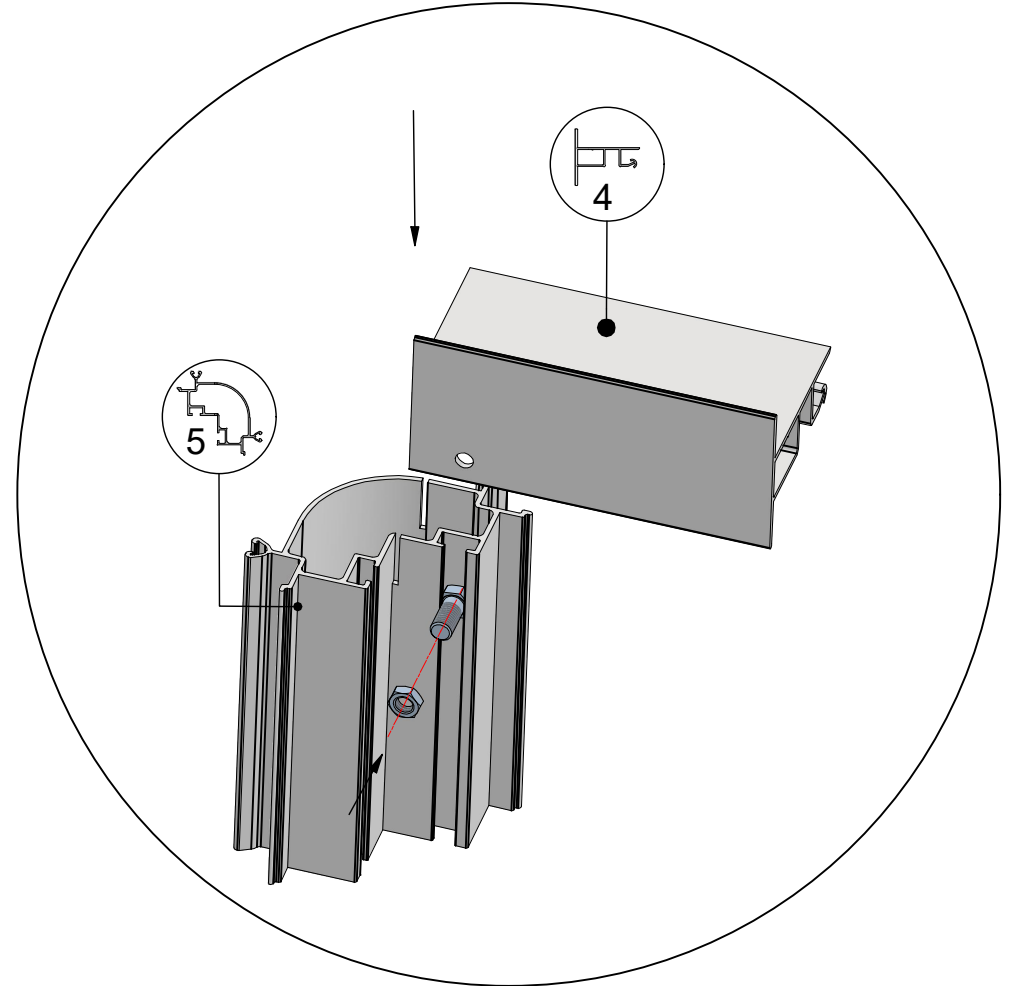
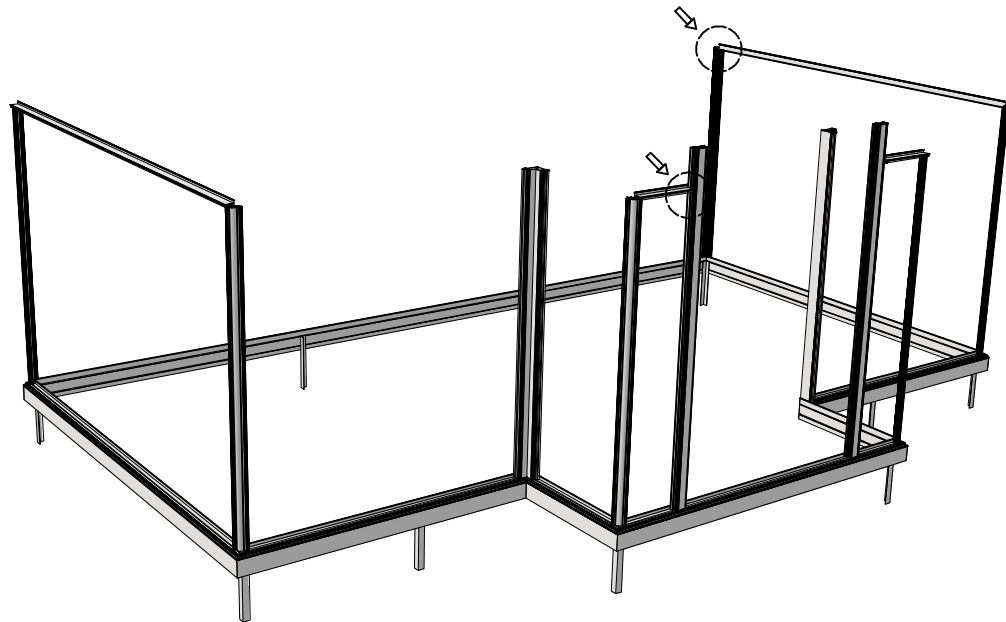
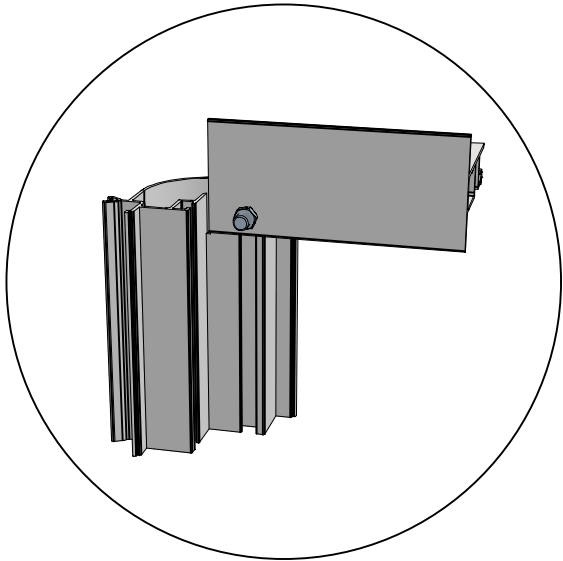
 = M6x12




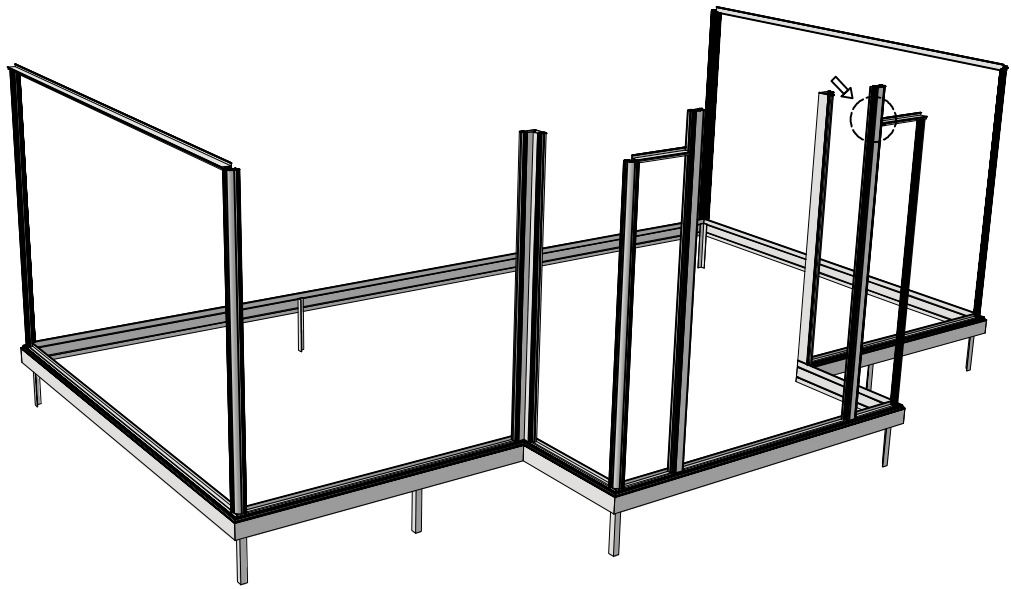
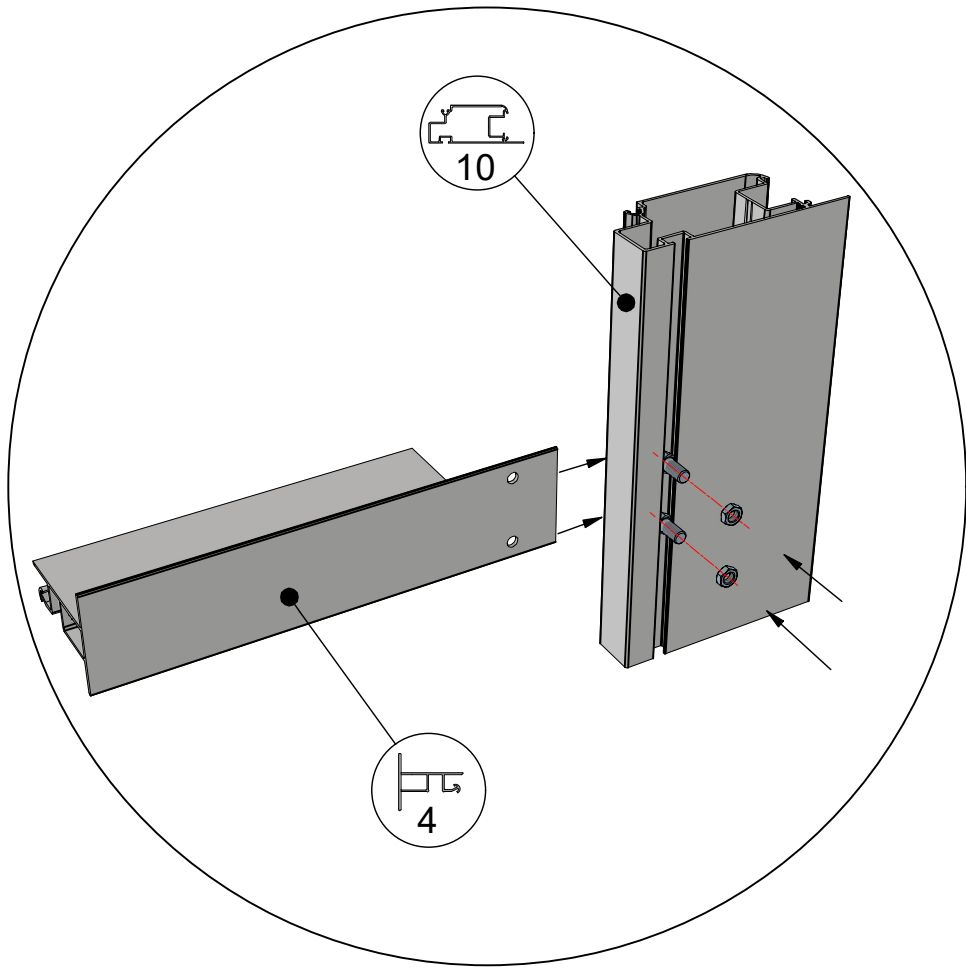
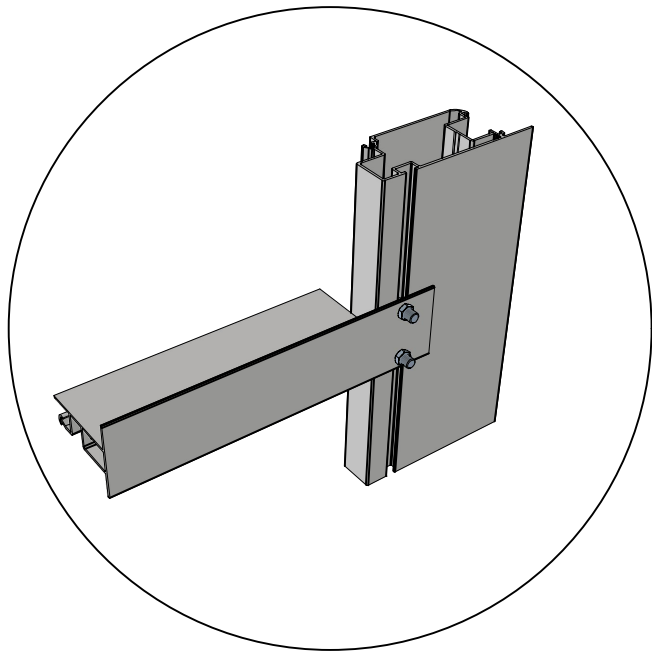
 = M6x12



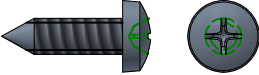
 = M6x12

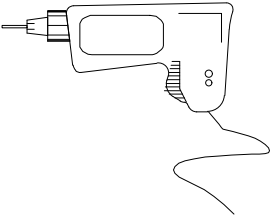


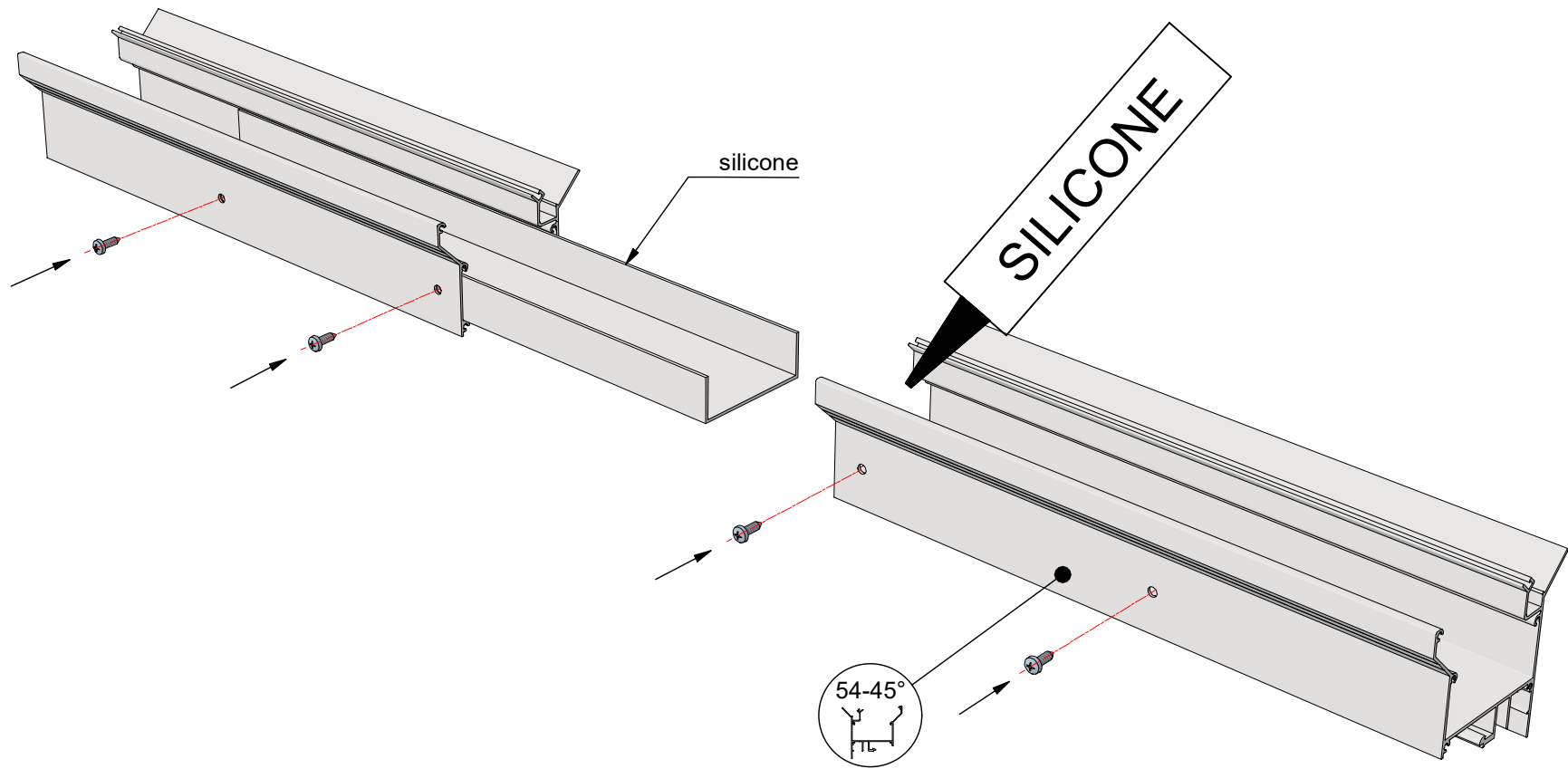
 = M6x12




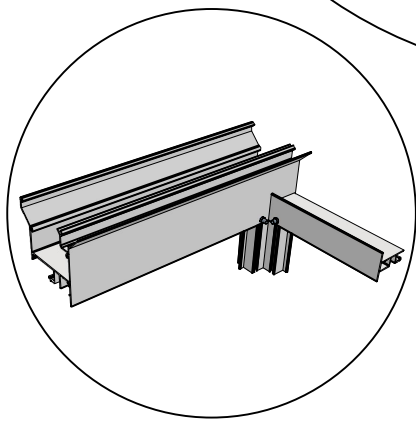
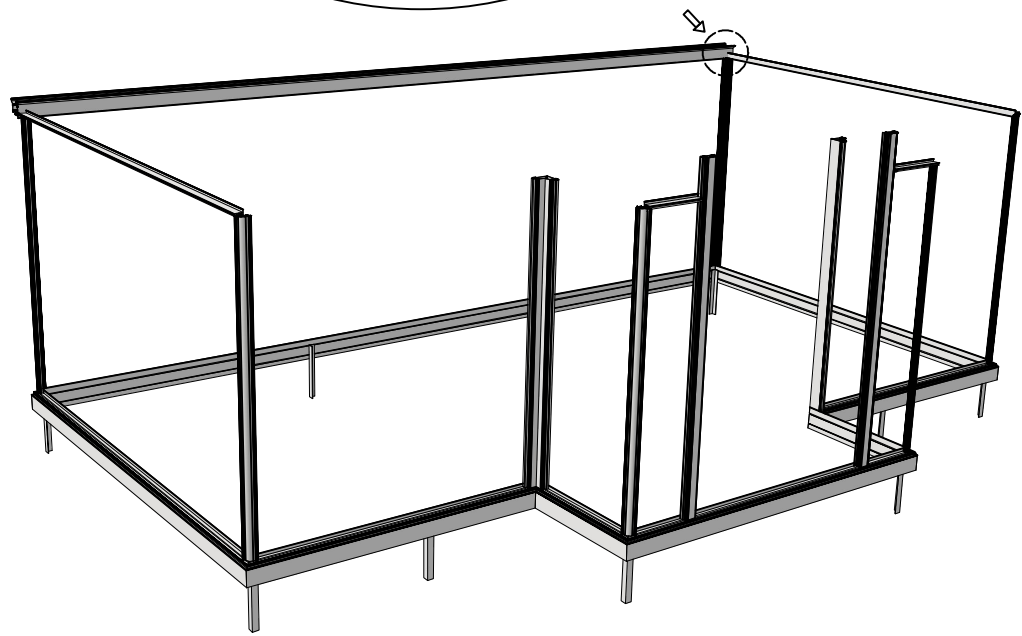
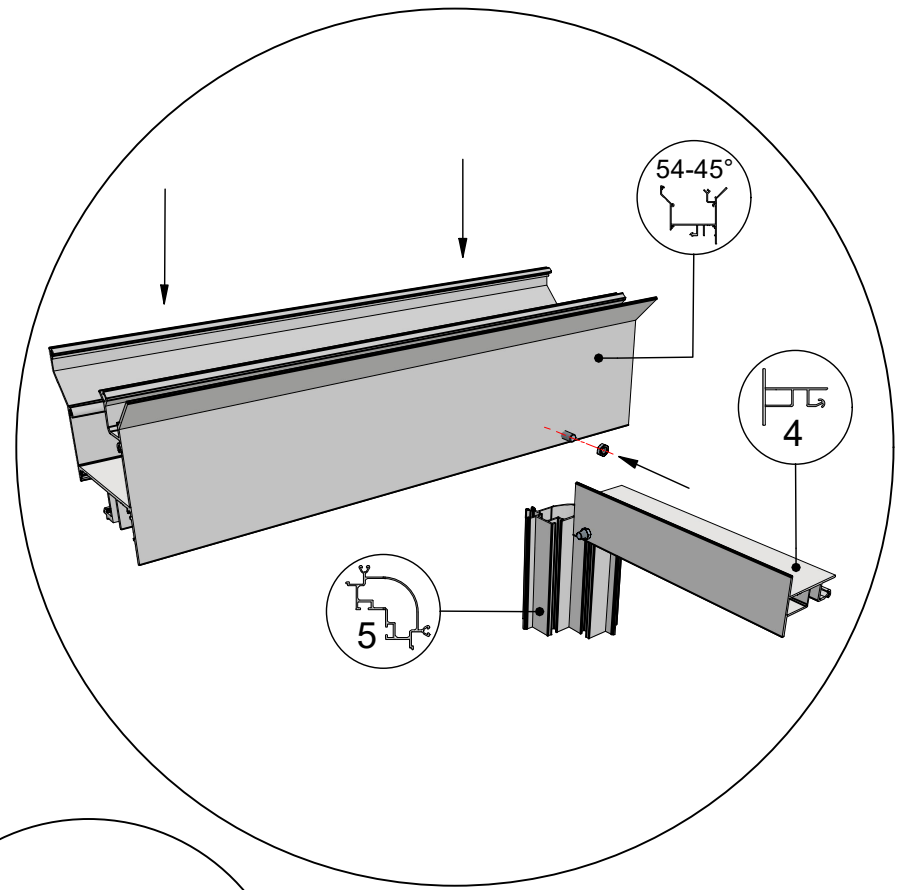
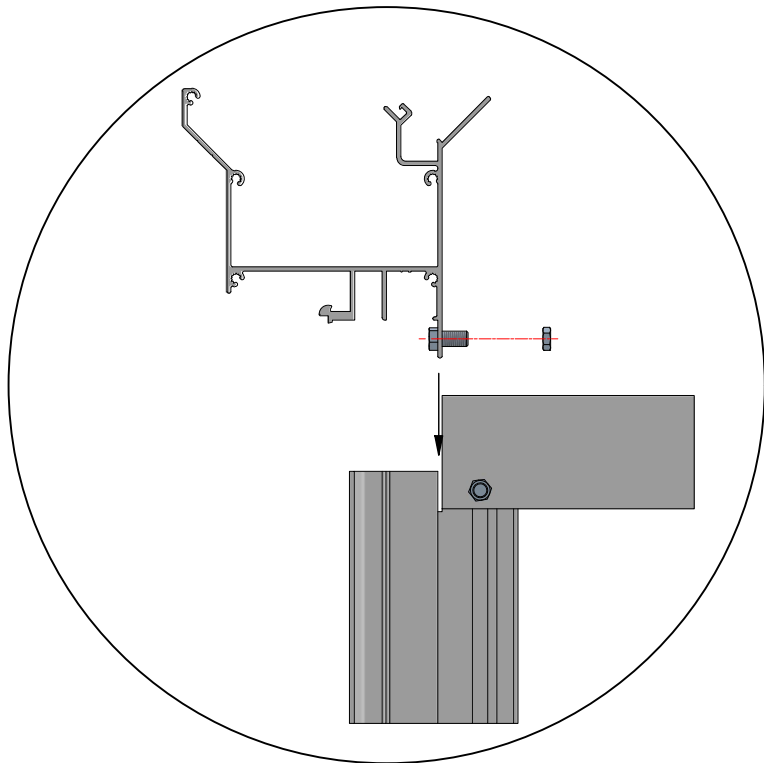
10

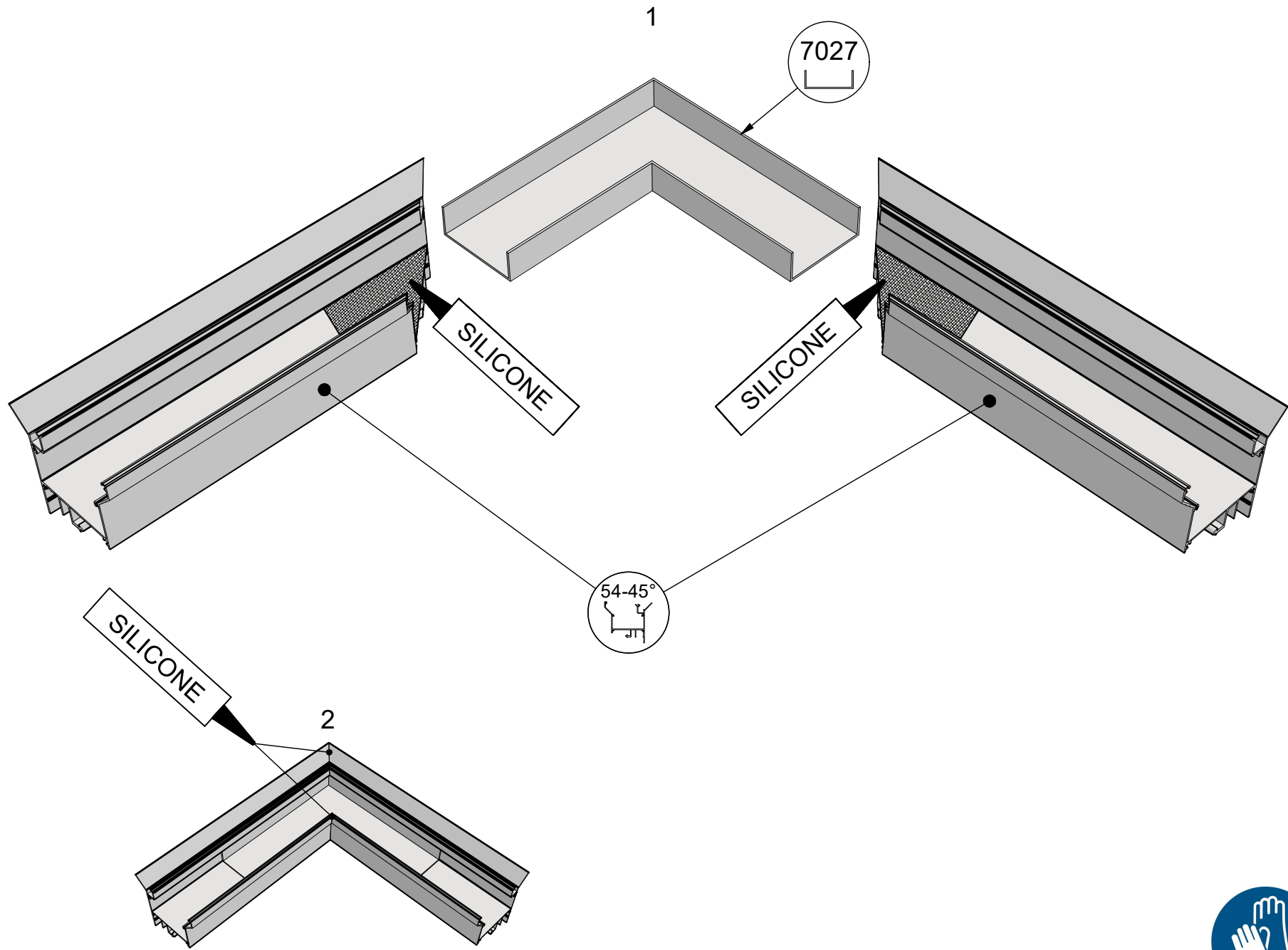
 = 4,8x16 (4x)


Ø = 4mm 

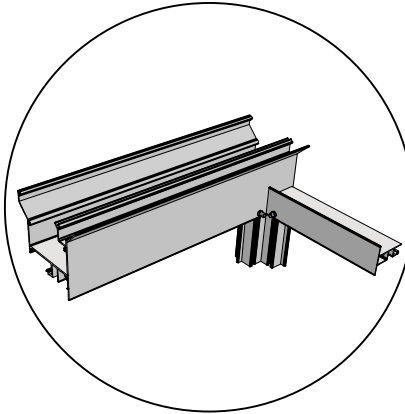
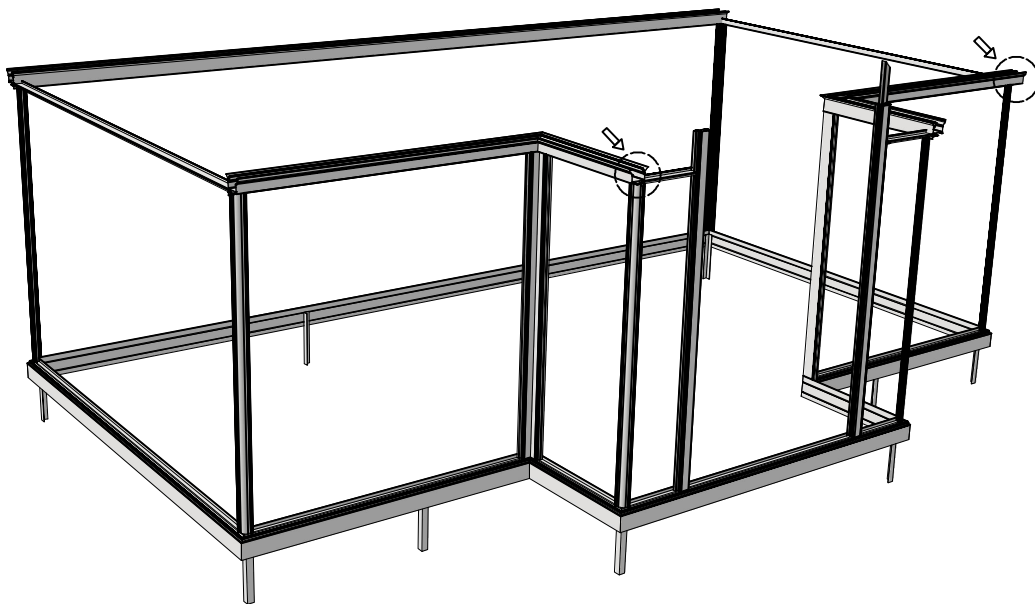
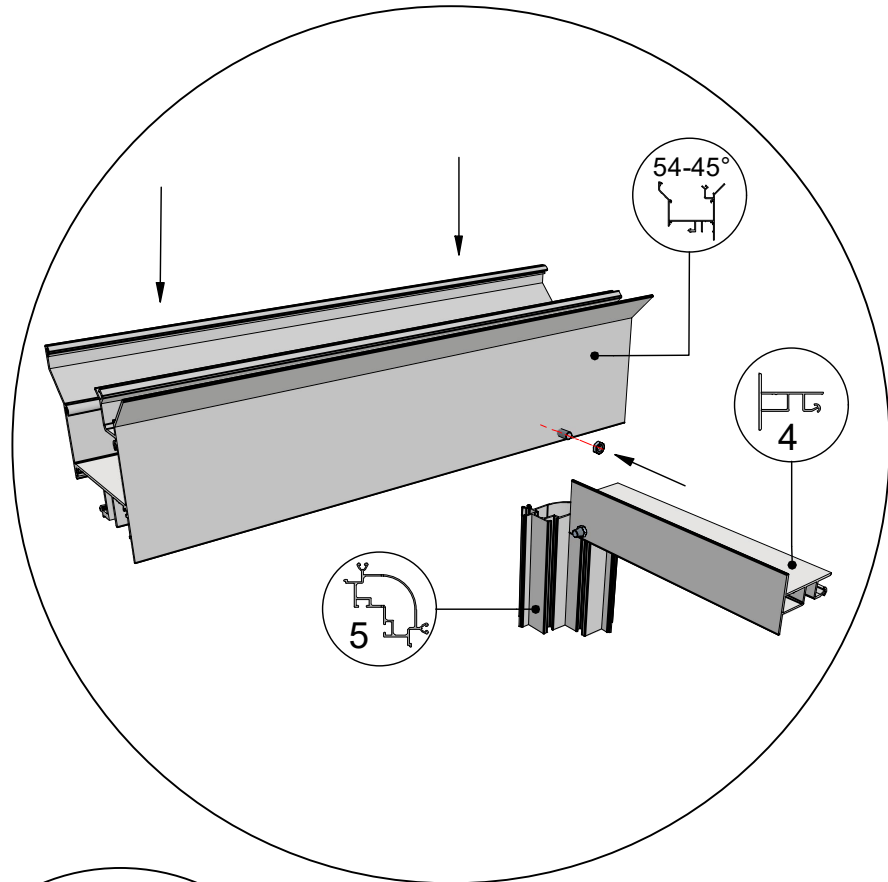
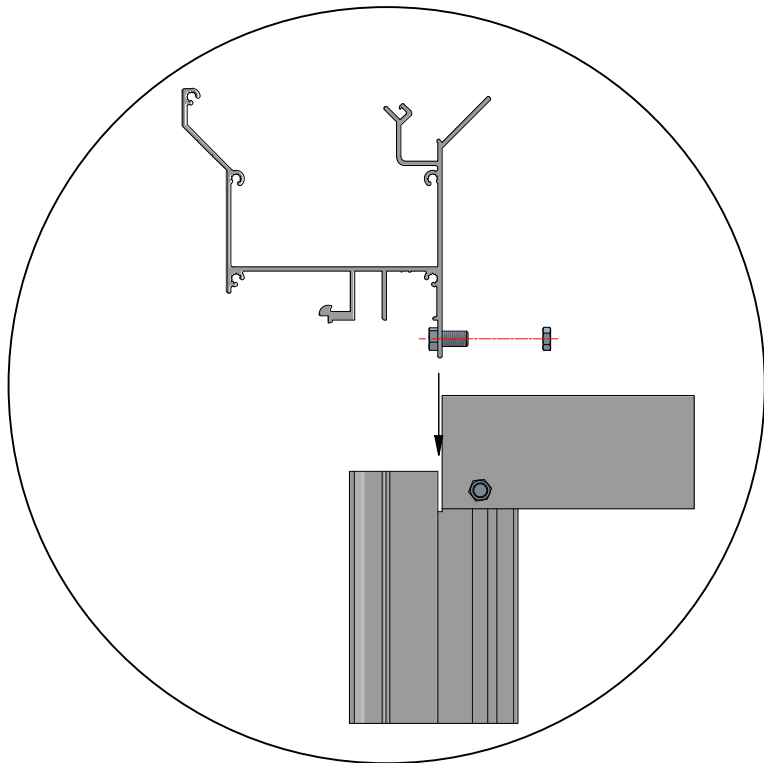



 = M6x12

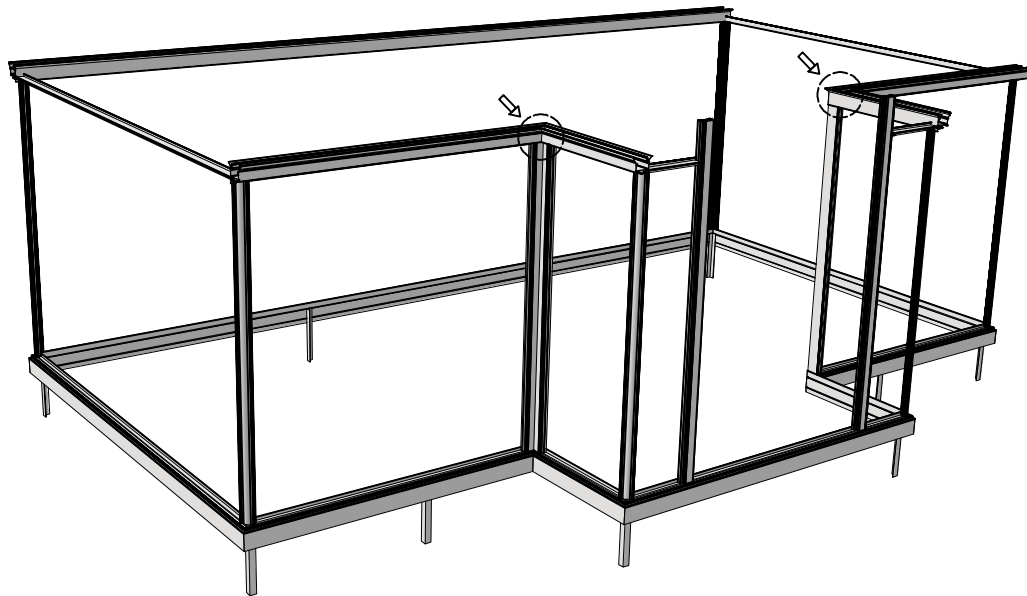
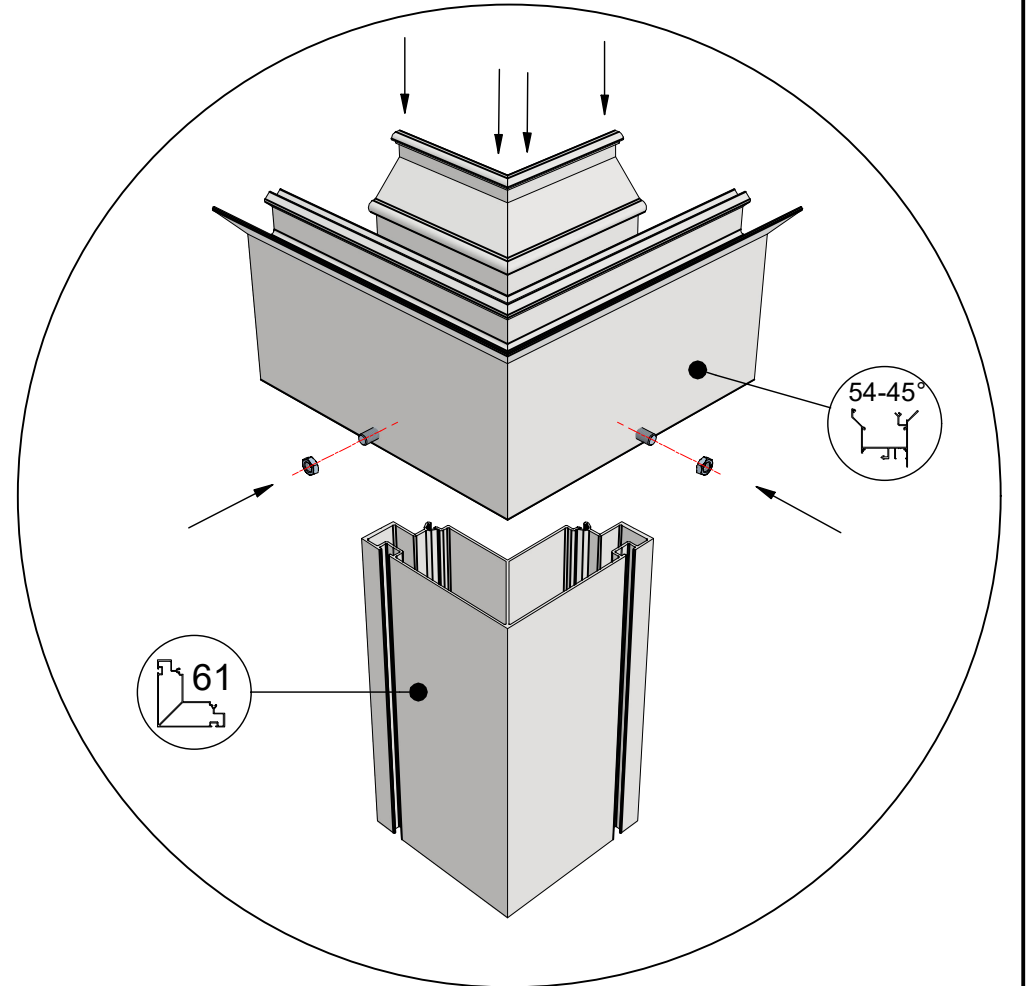
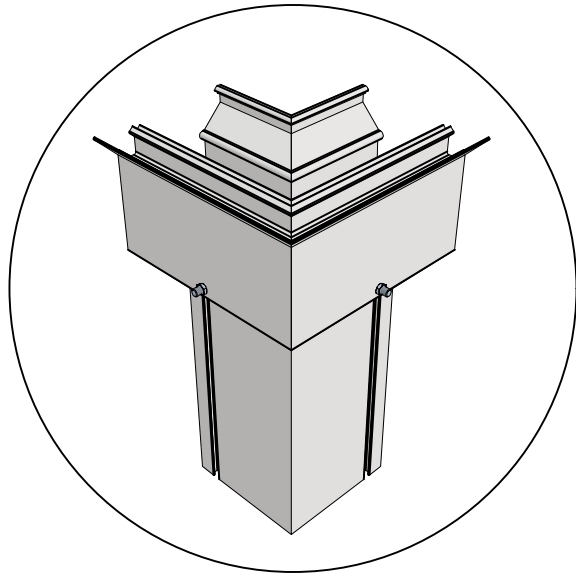





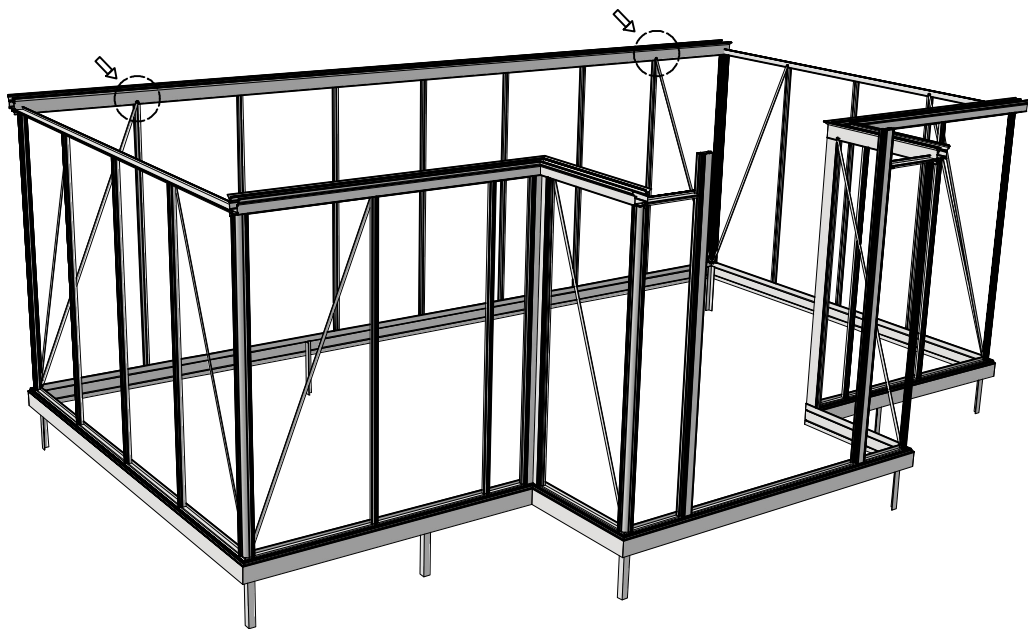
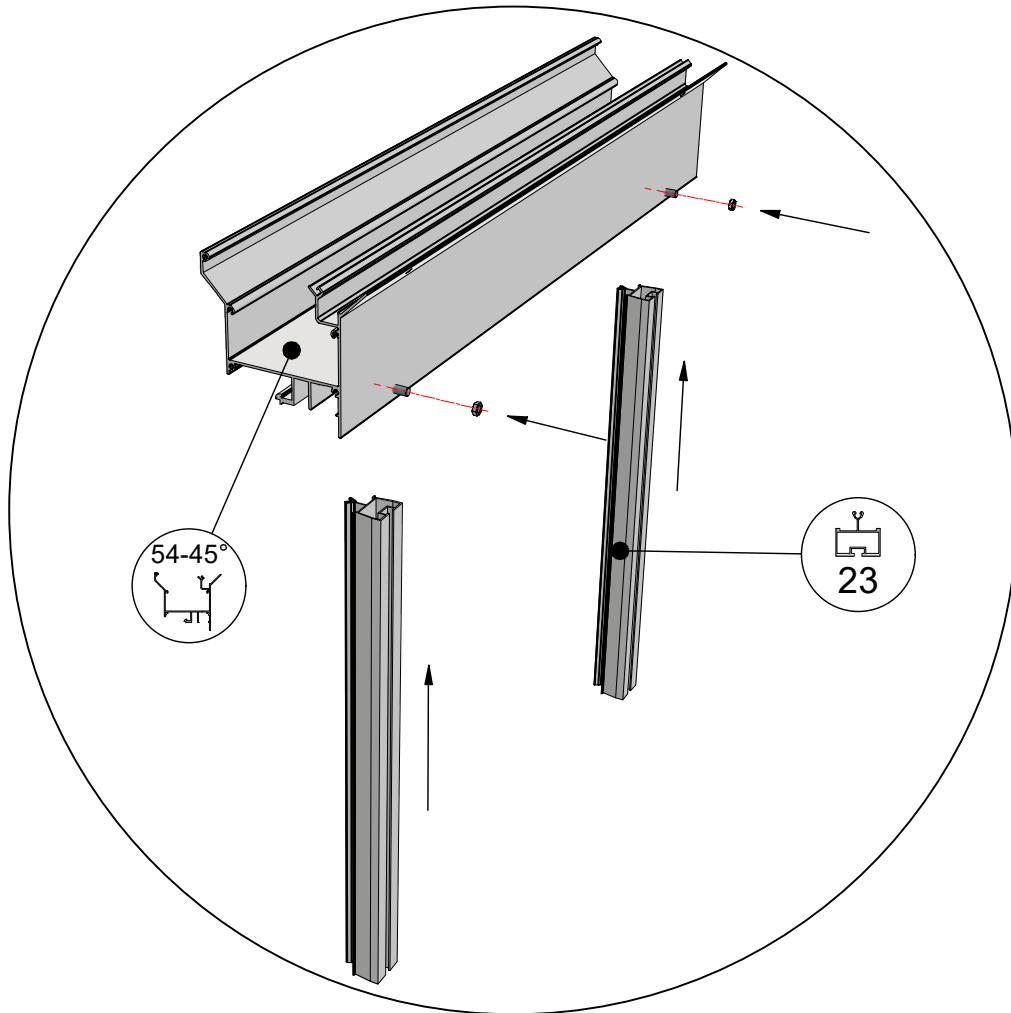
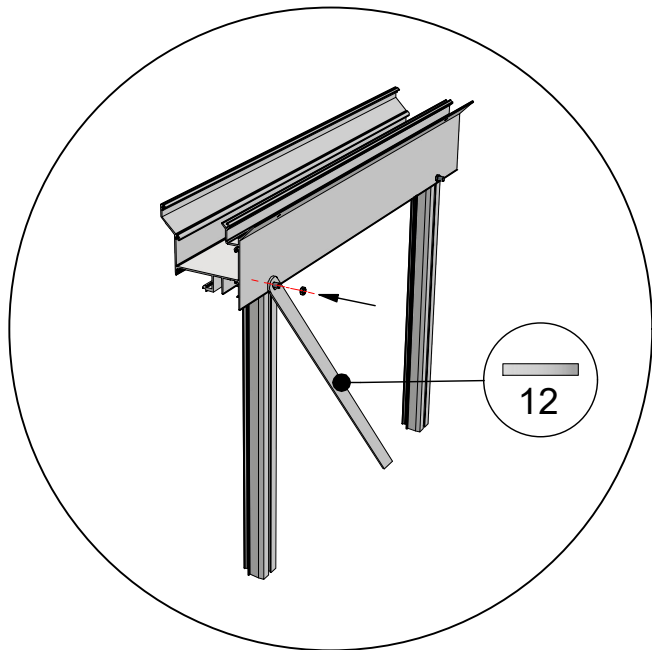
 = M6x12

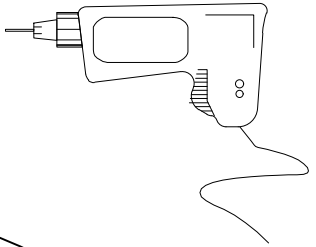


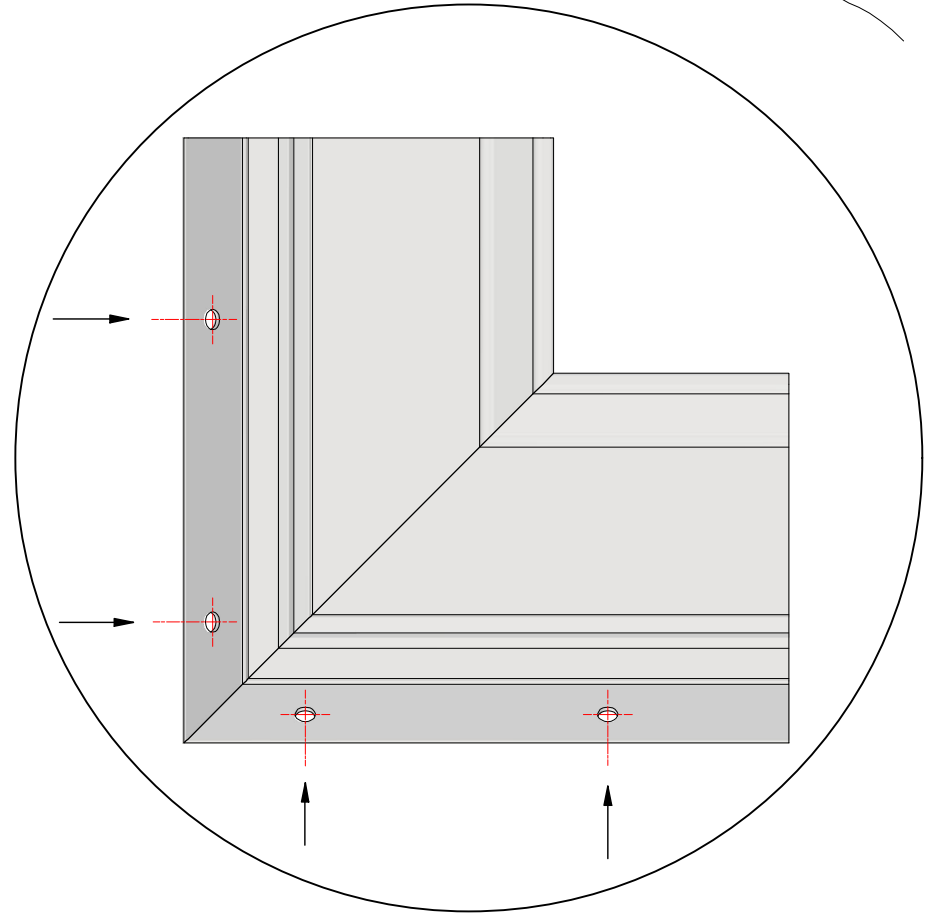
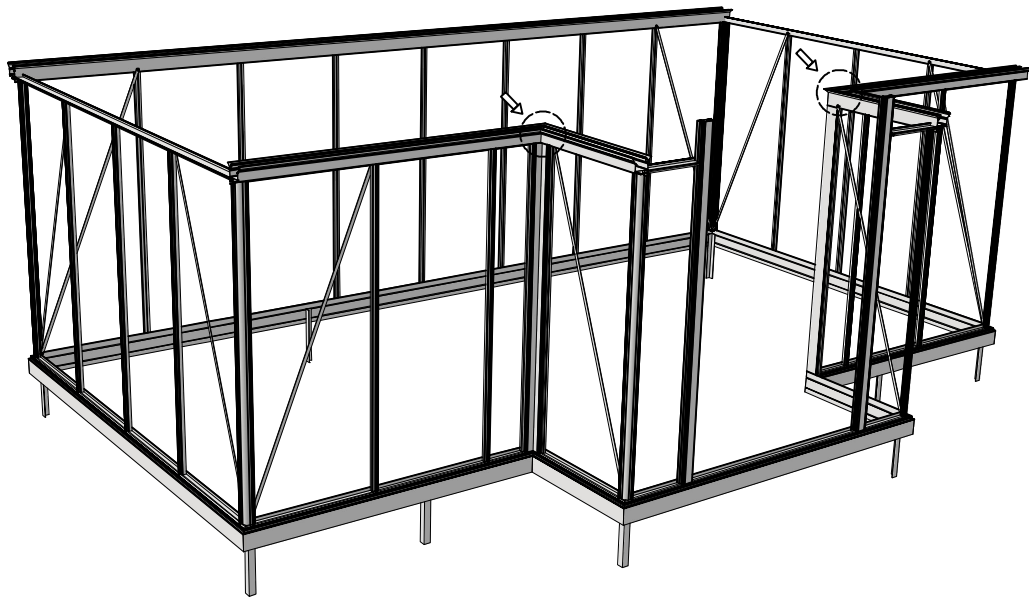
 = M6x12

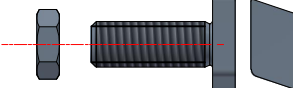


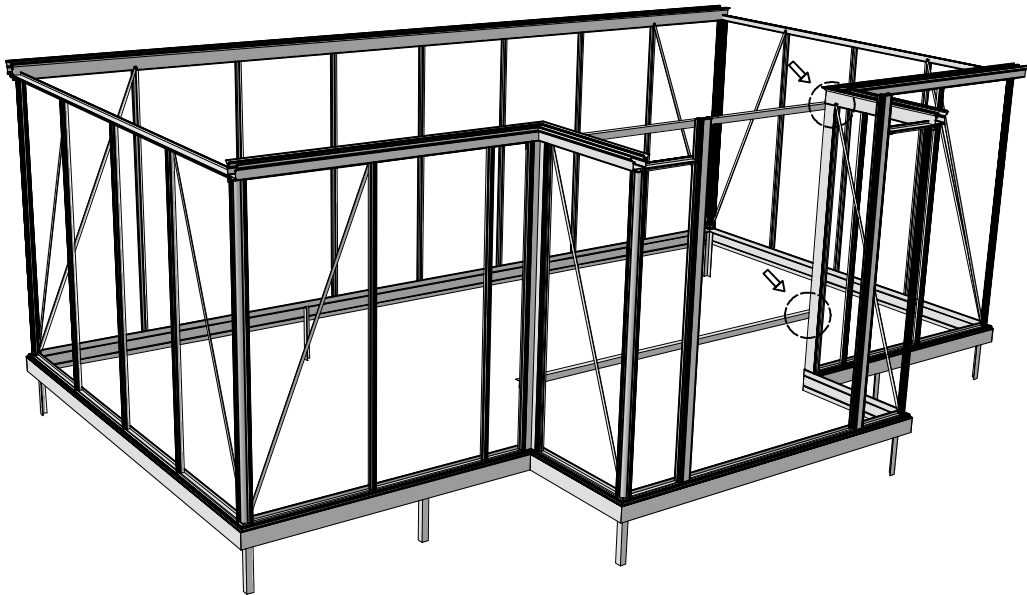
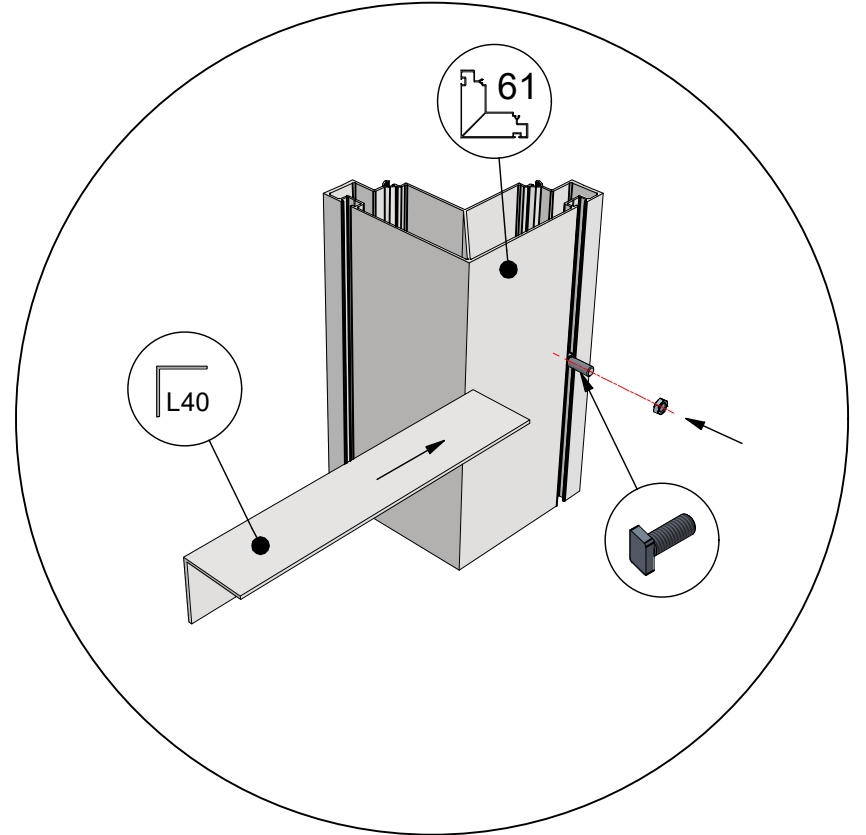
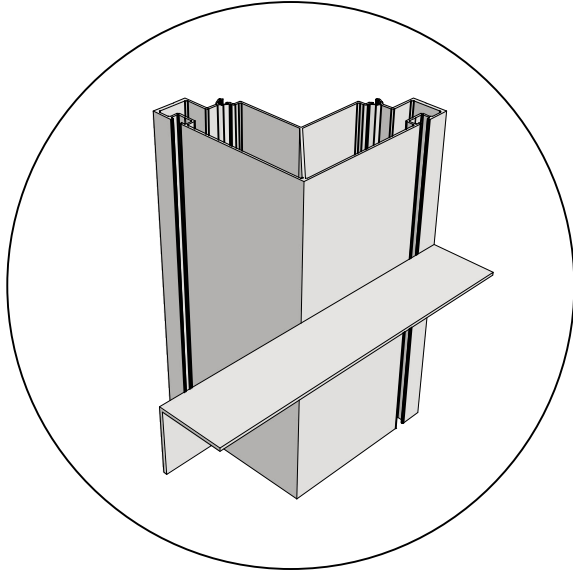
 = M6x12

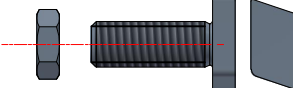


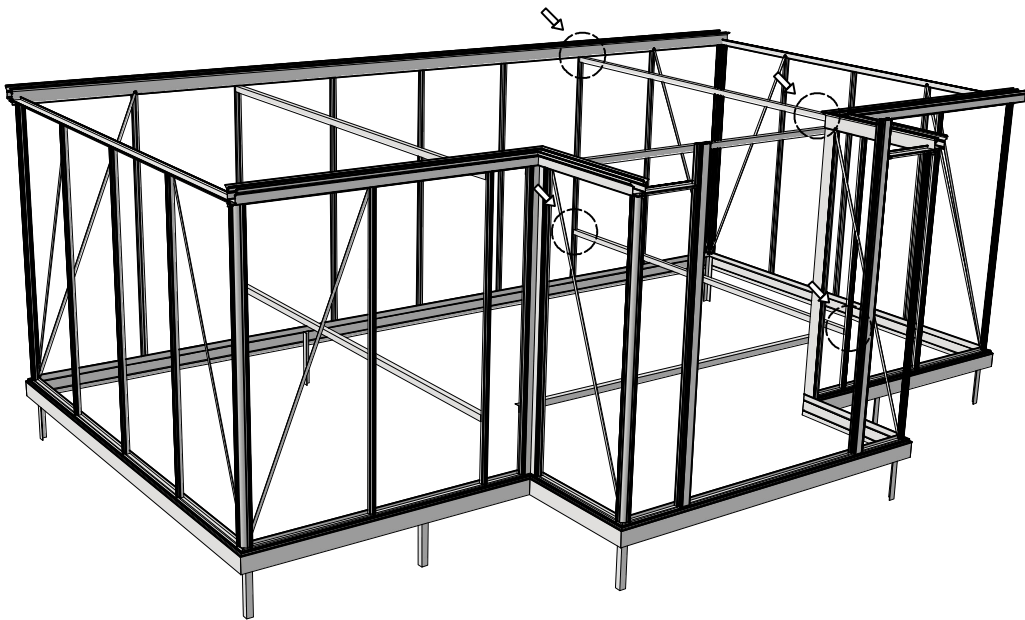
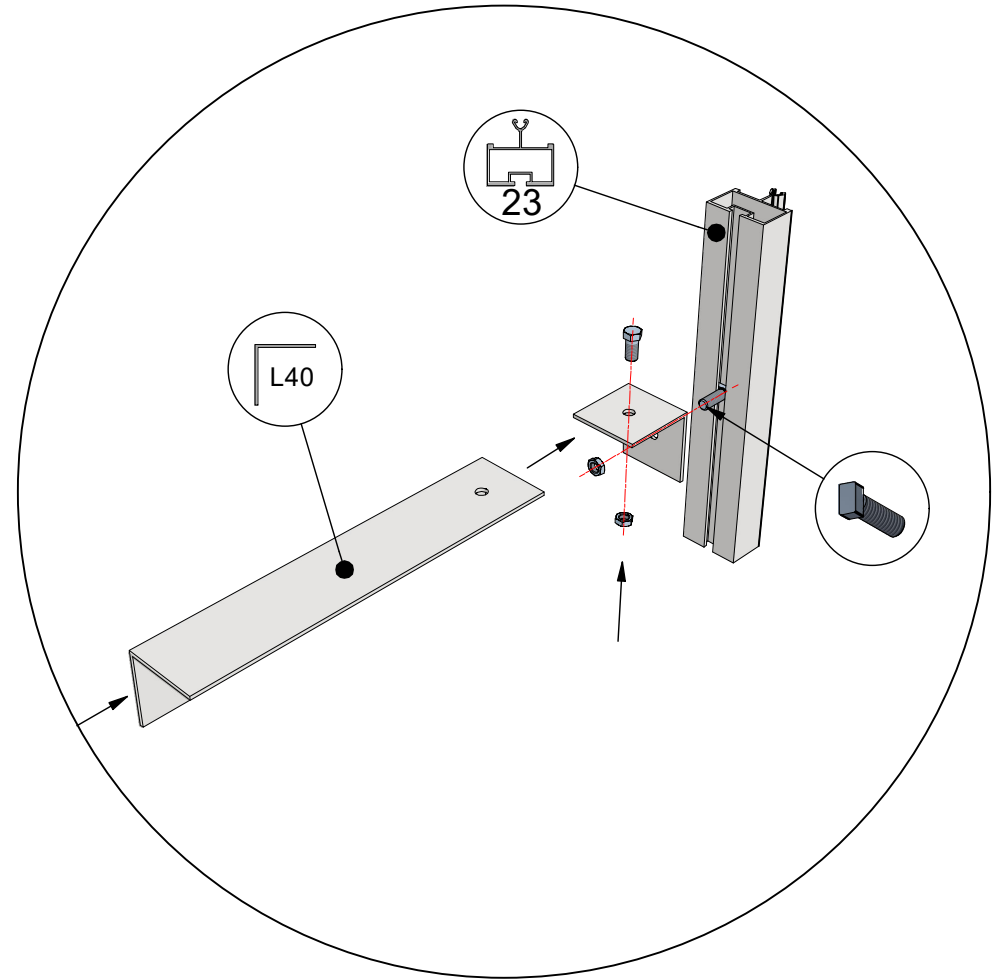
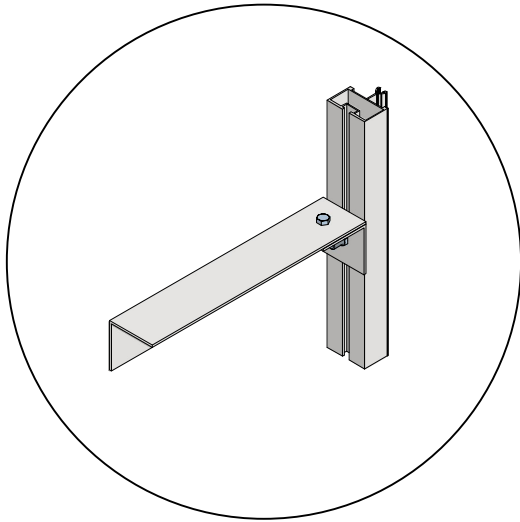
Ø = 10mm 




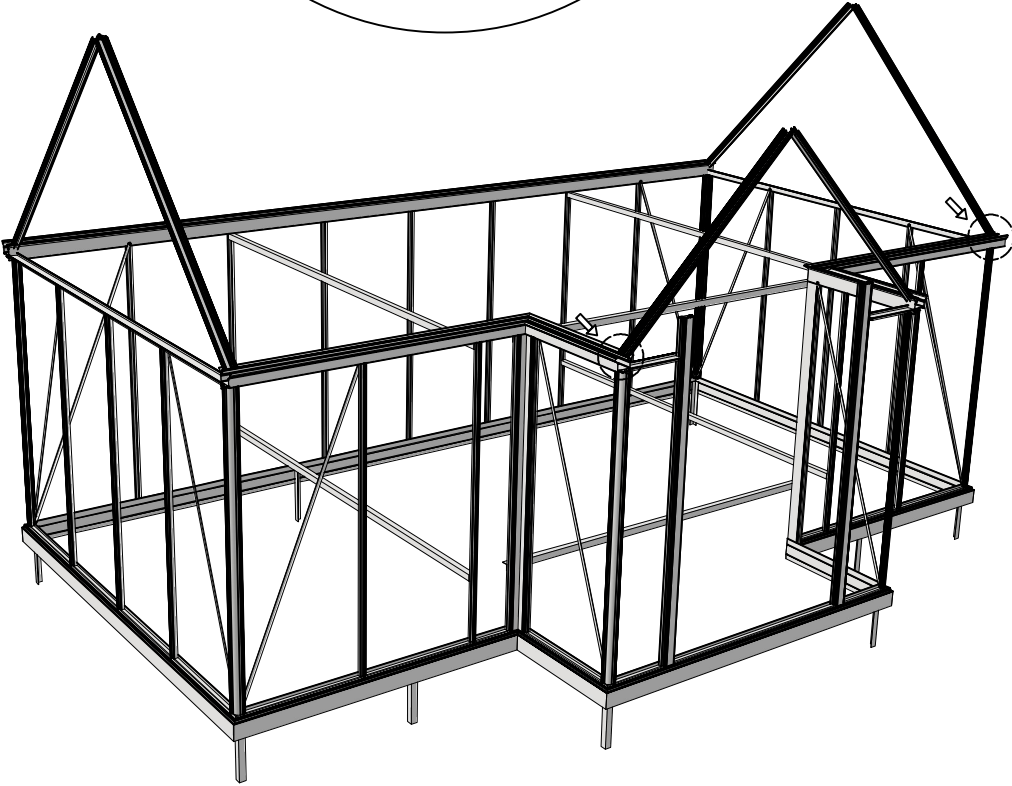
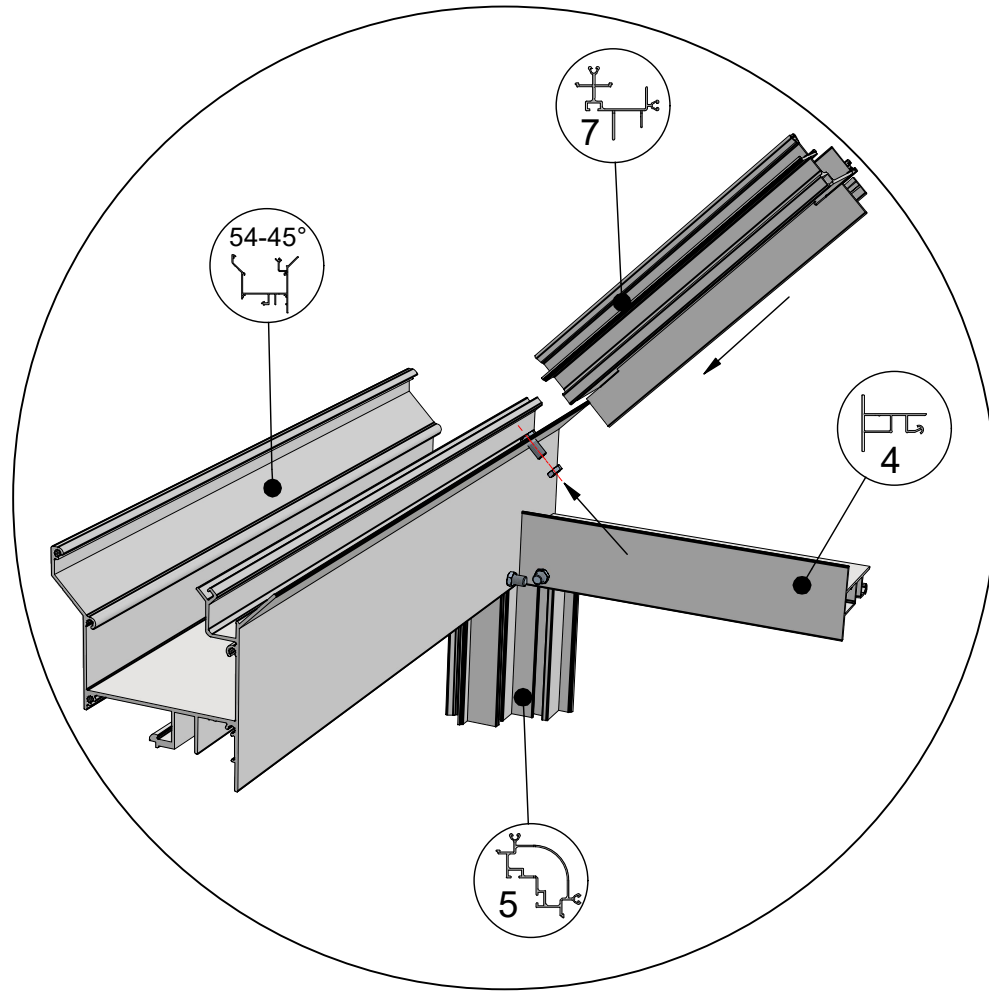
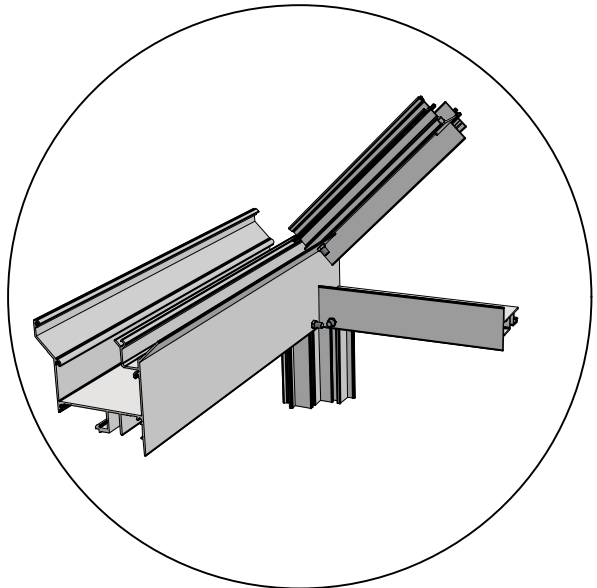
 = M6x16




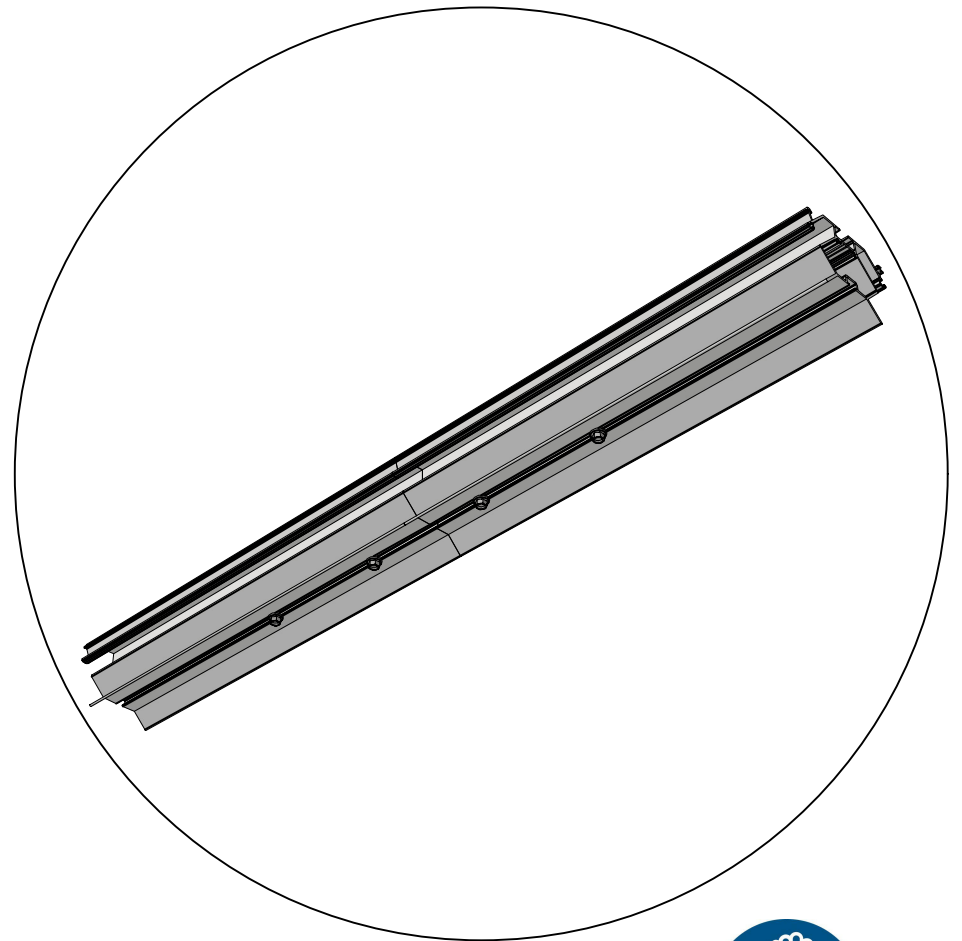
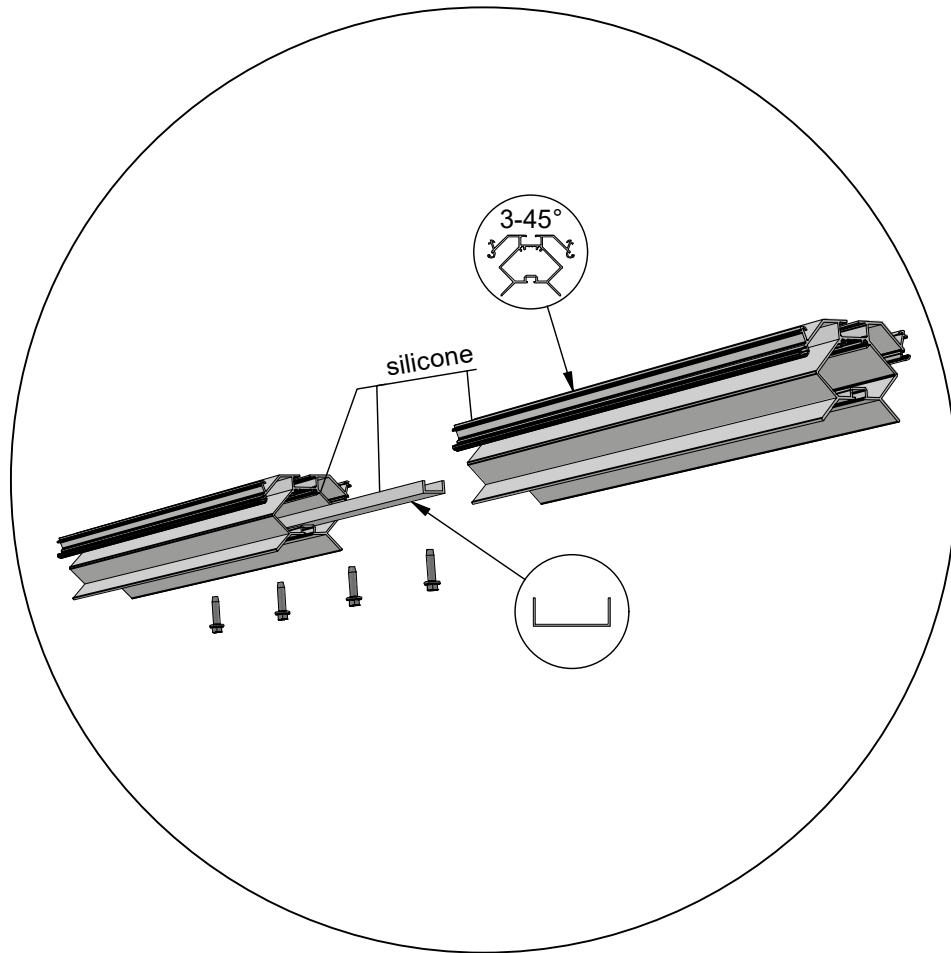
 = M6x16

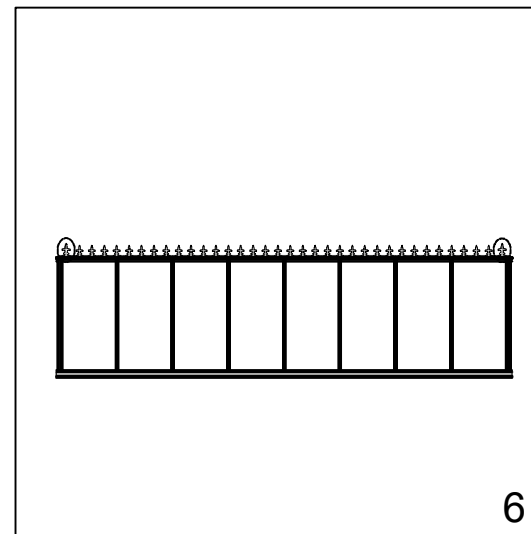
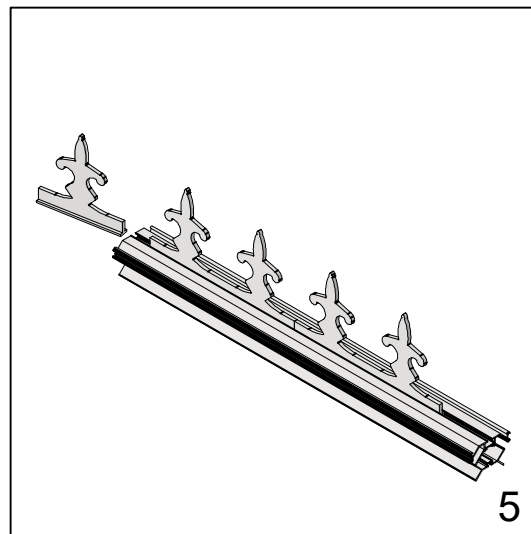
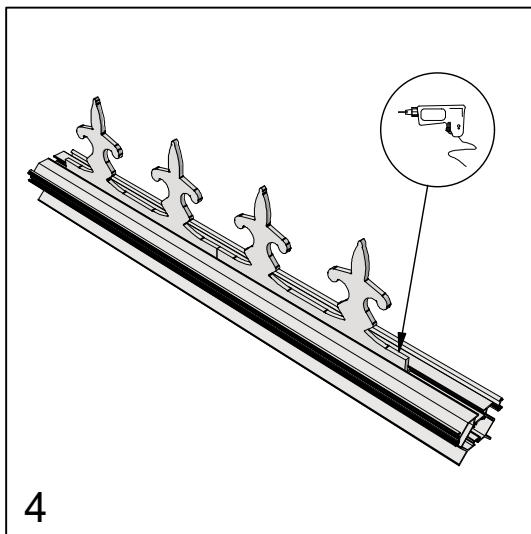
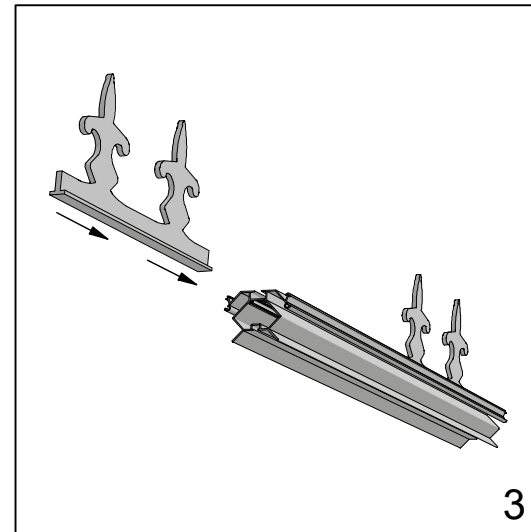
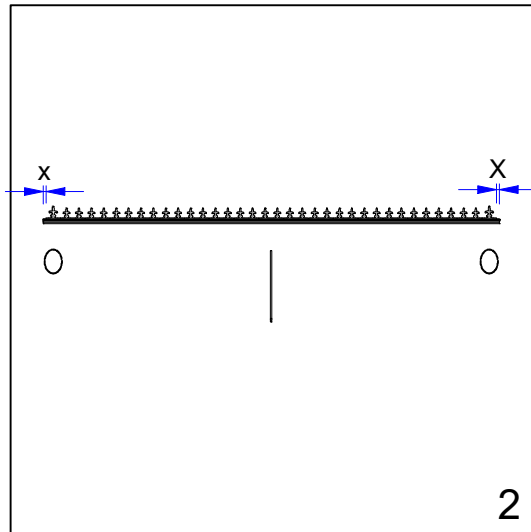
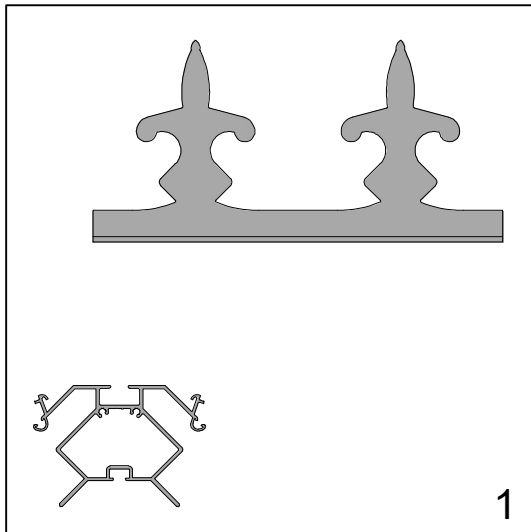



 = M6x12

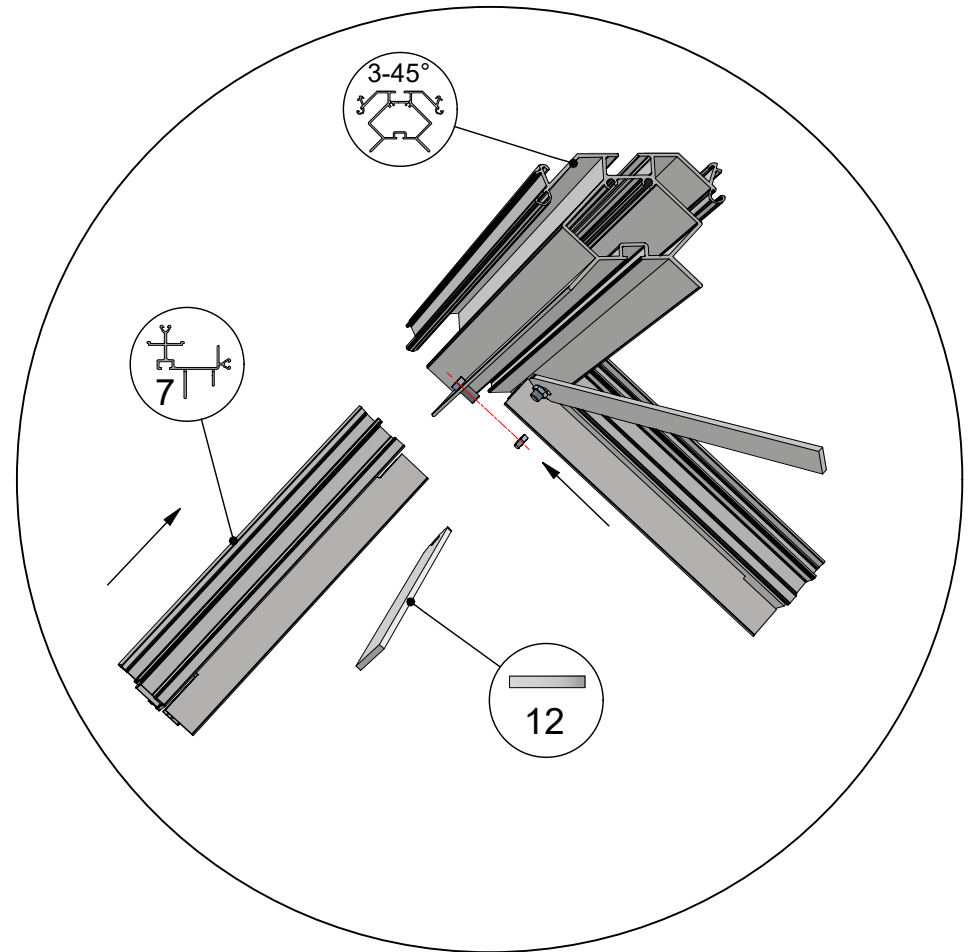
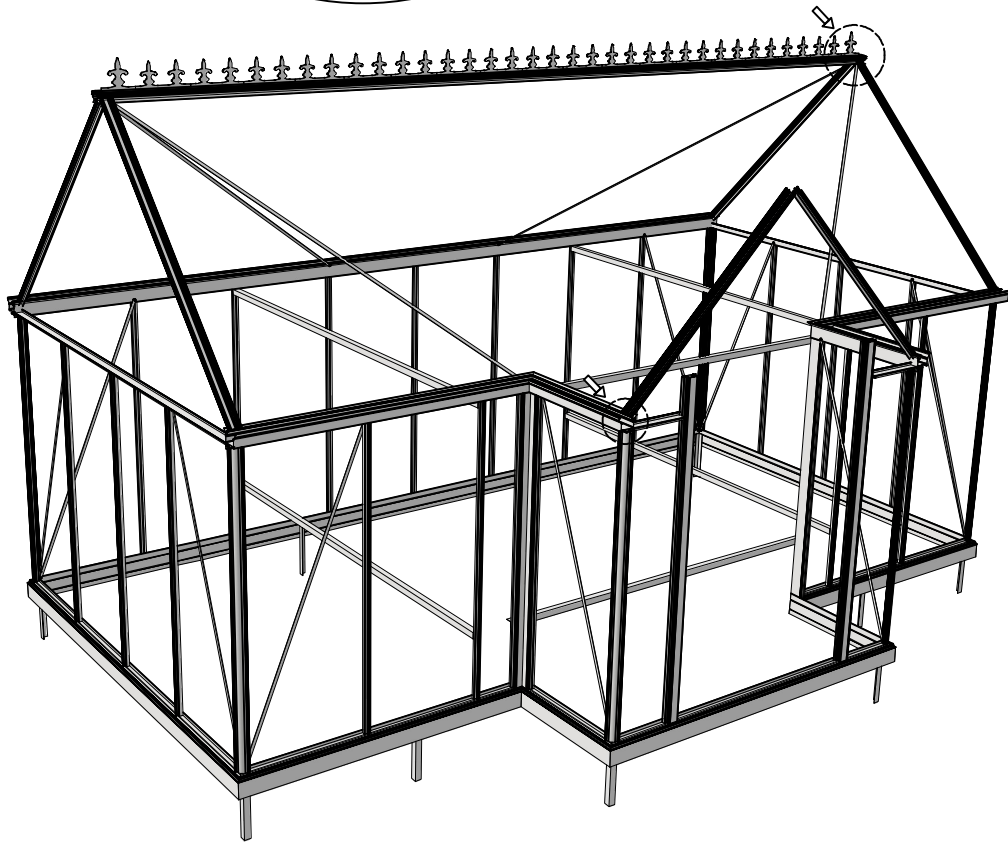
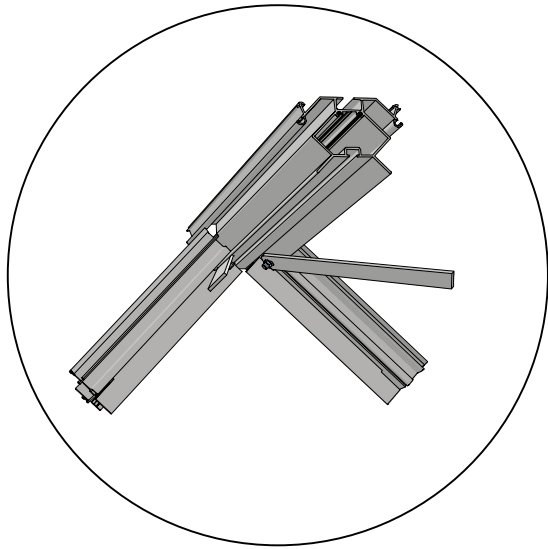


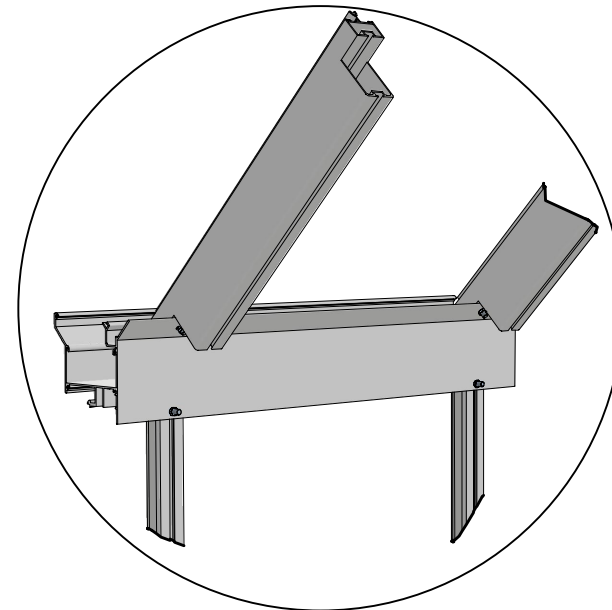
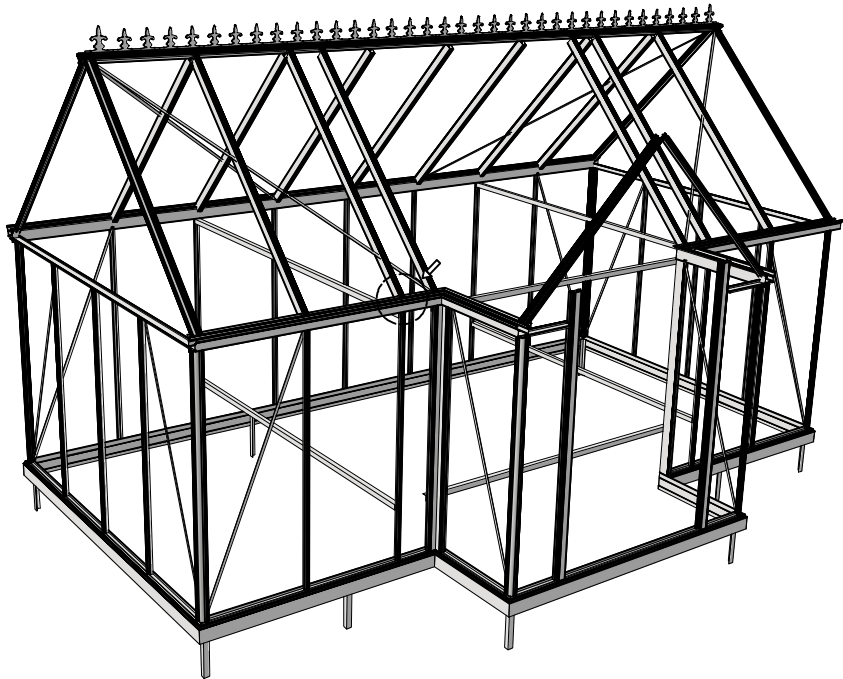
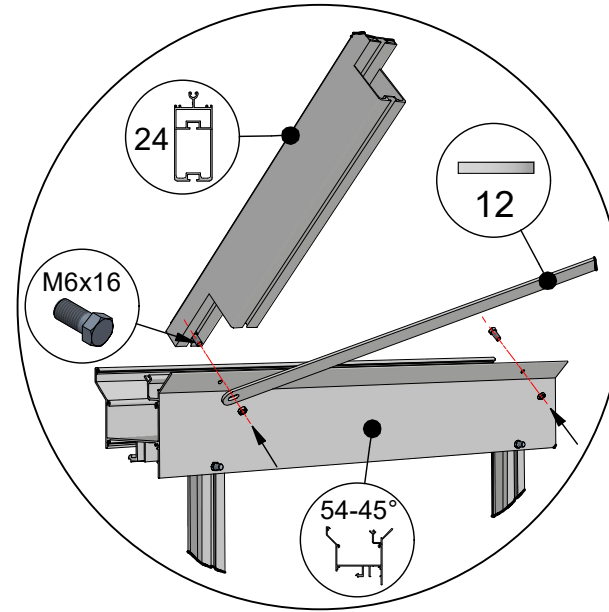
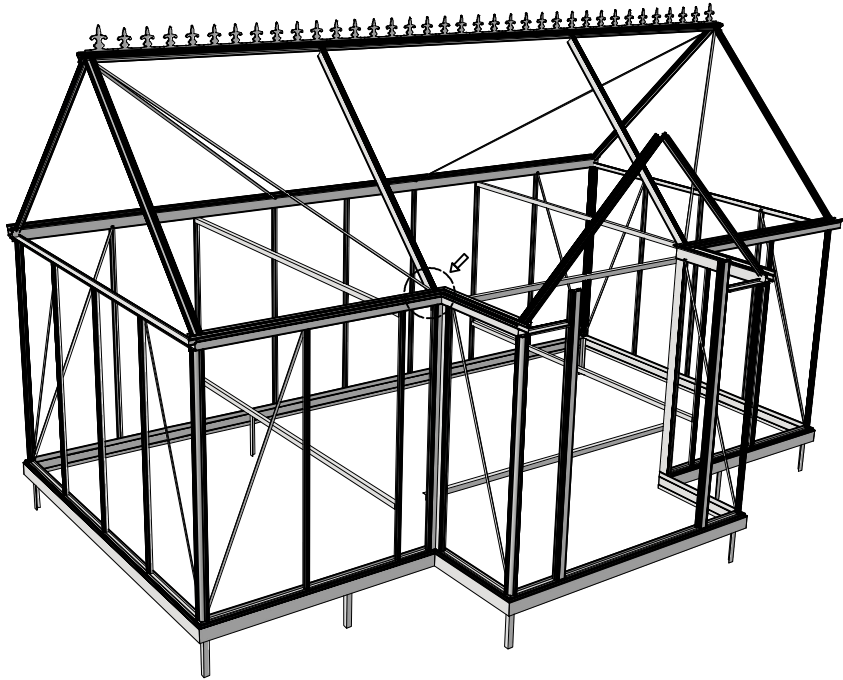
 = 6x25 (4x)




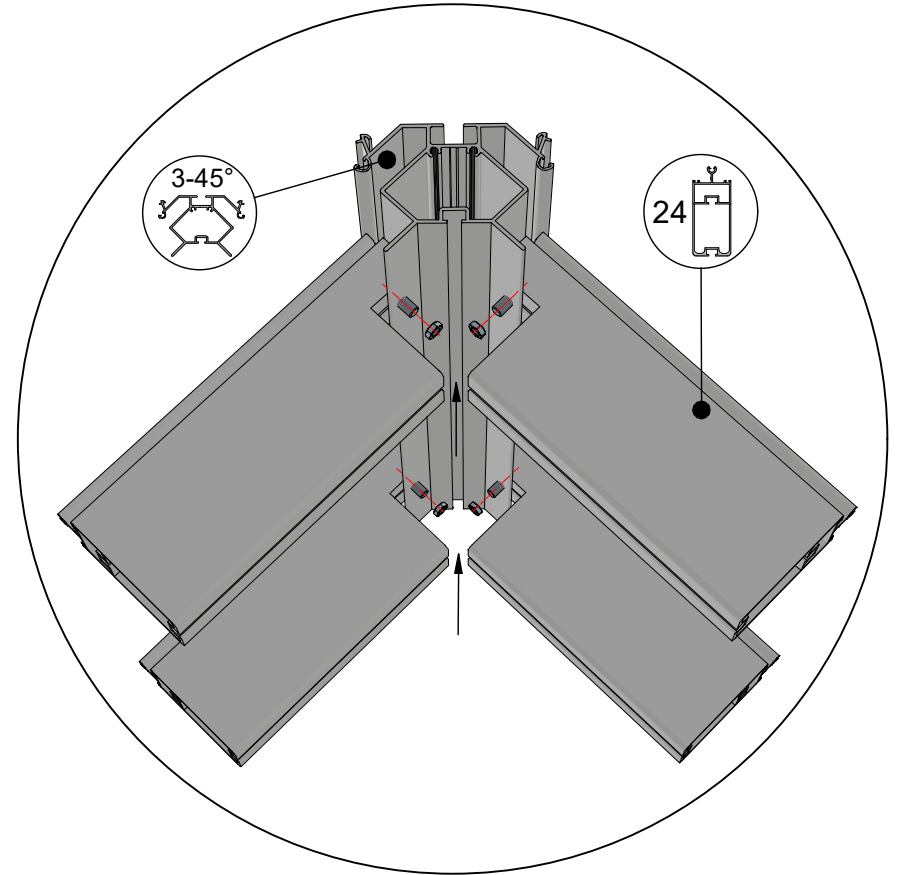
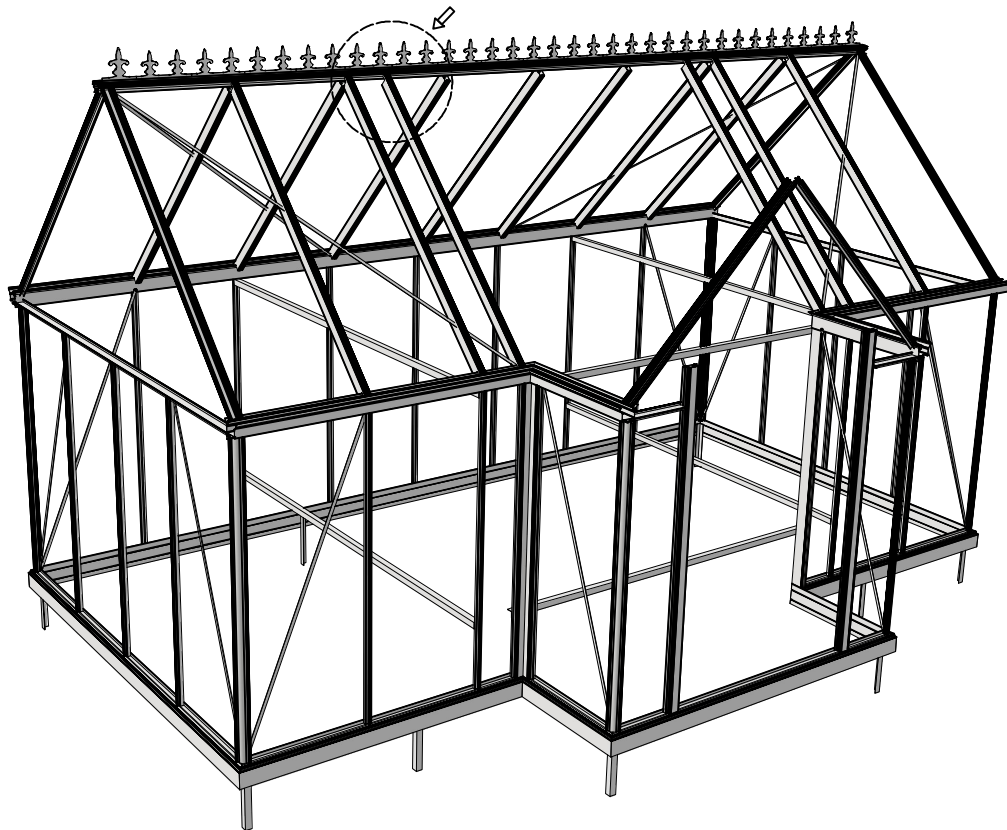
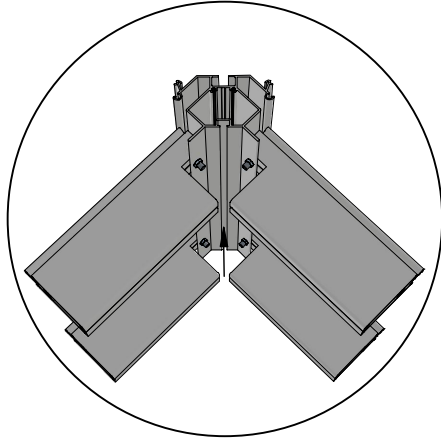



 = M6x12

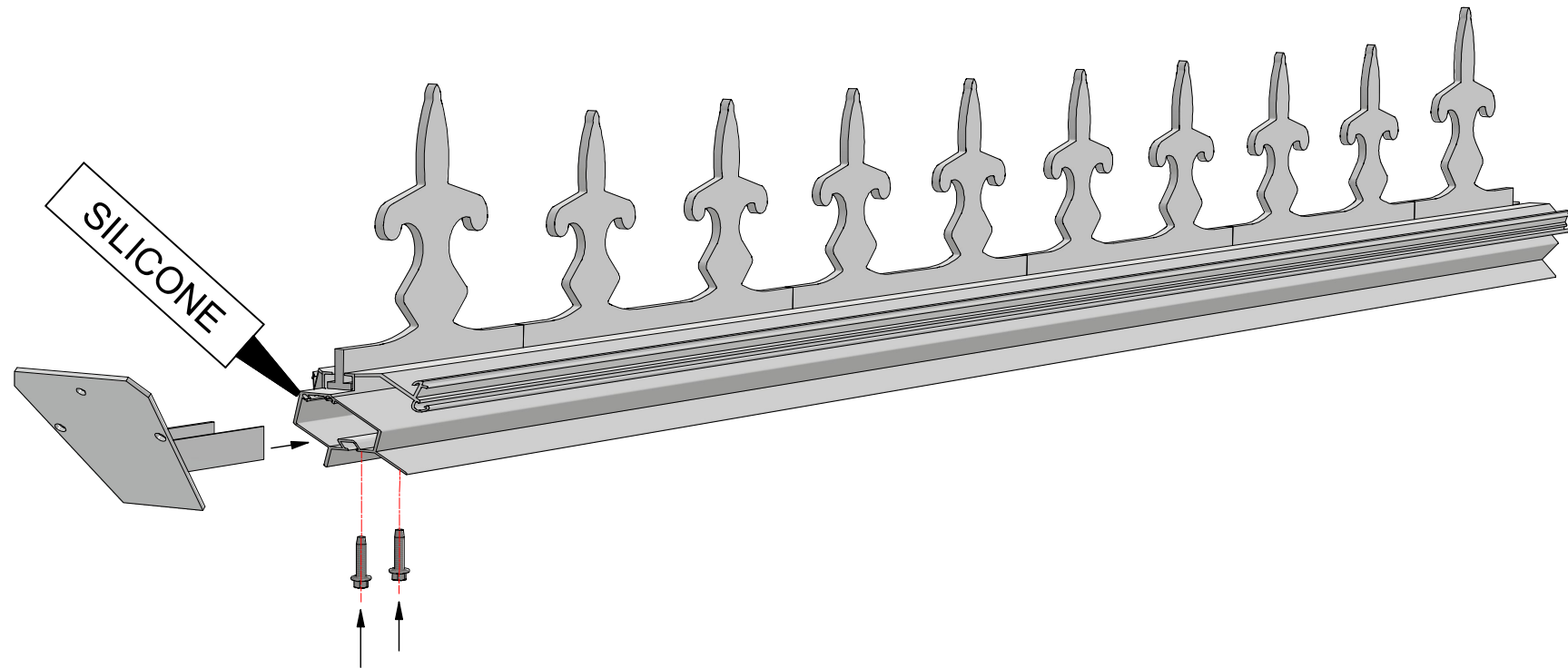


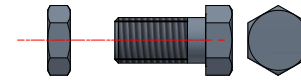


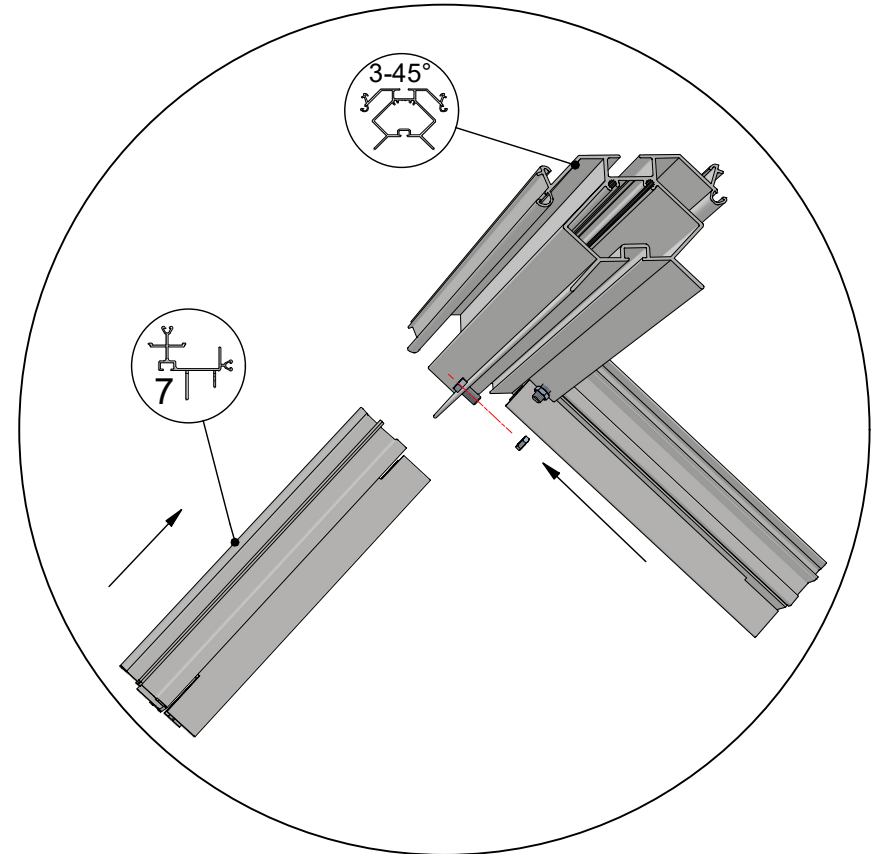
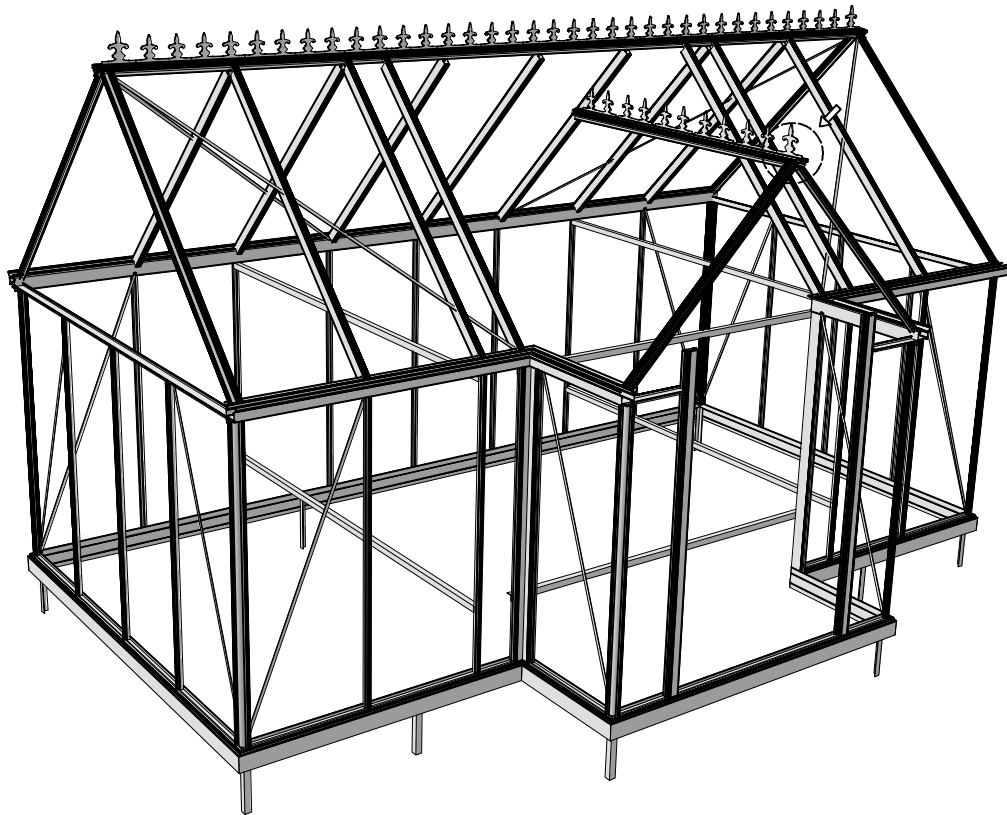
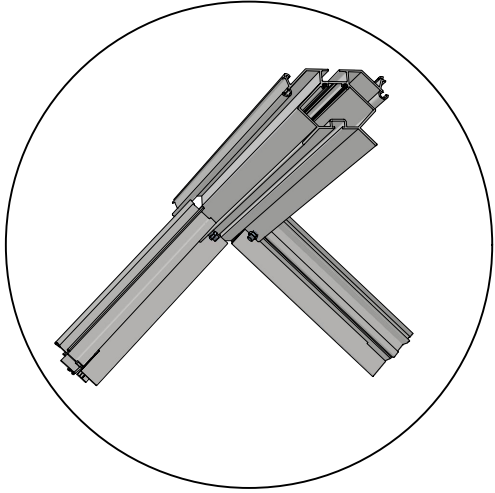
 = M6x12

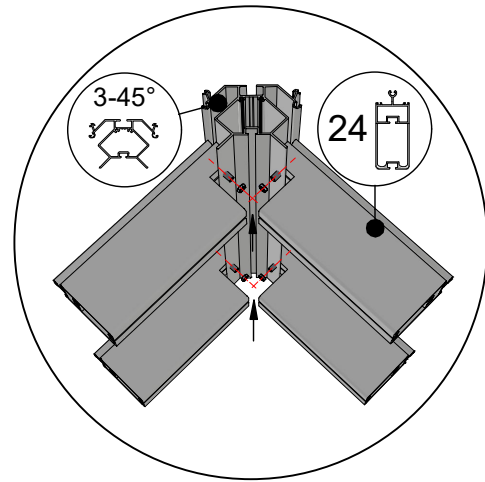
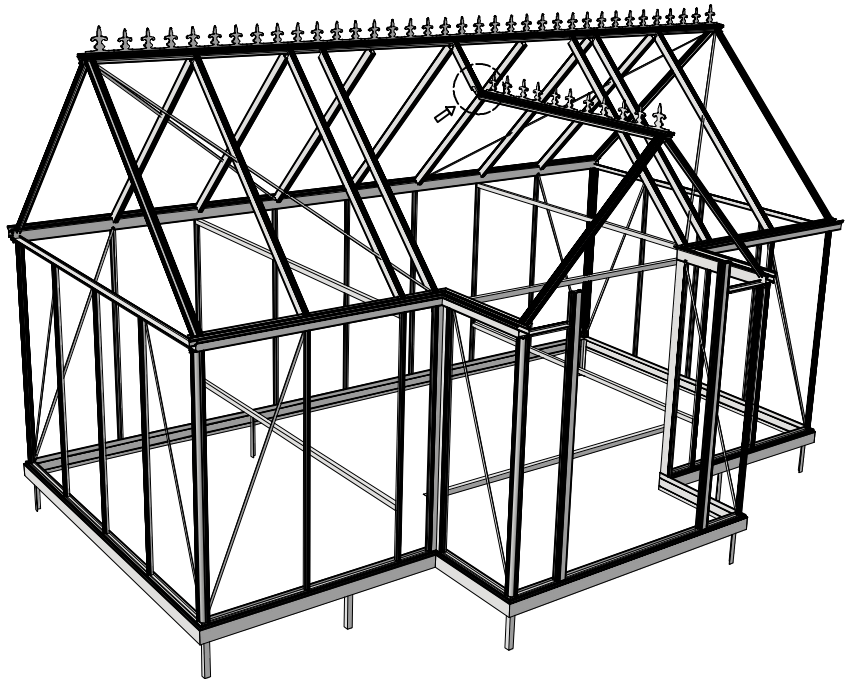
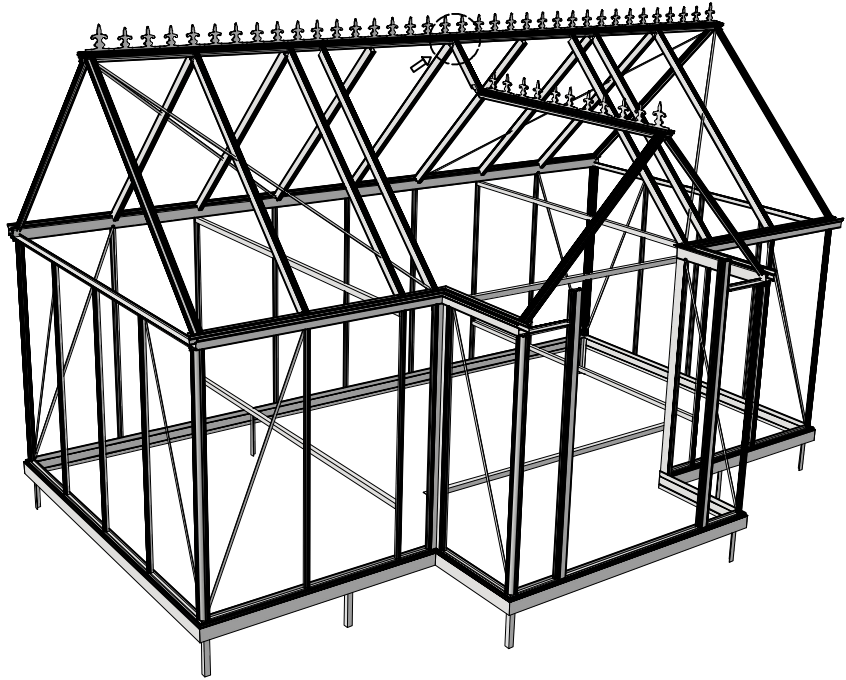



 = 6x25 (2x)

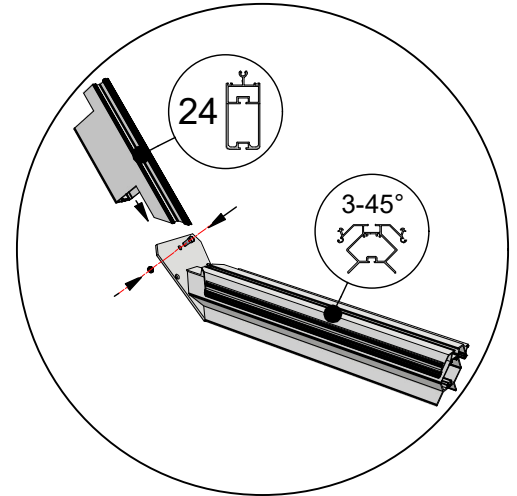
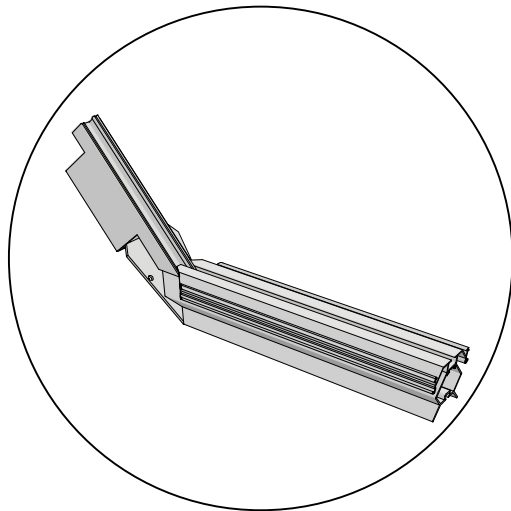
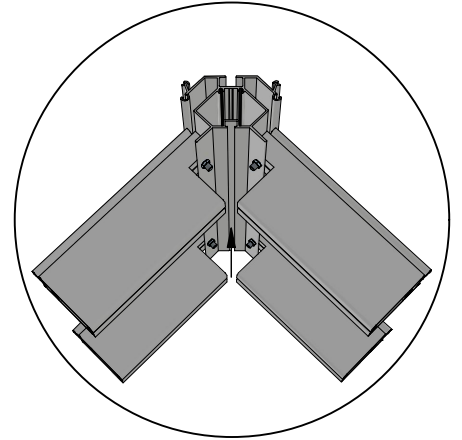



 = M6x12

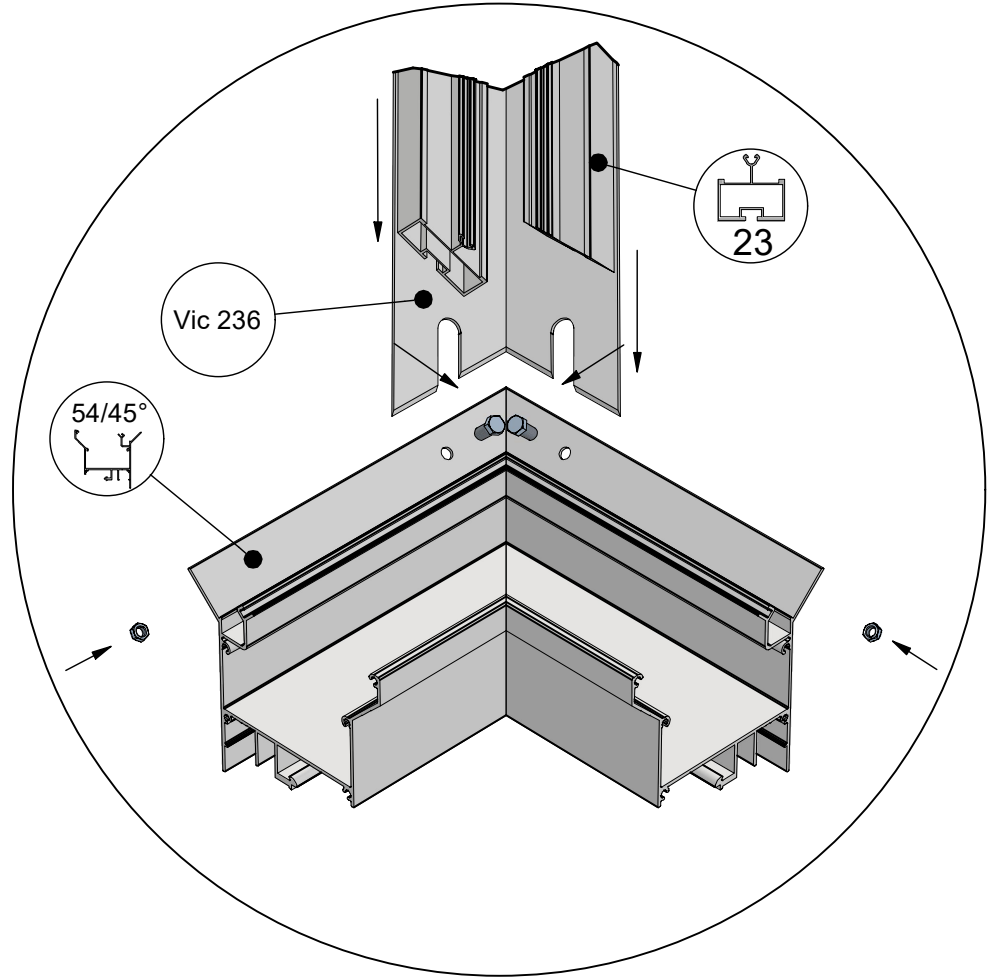
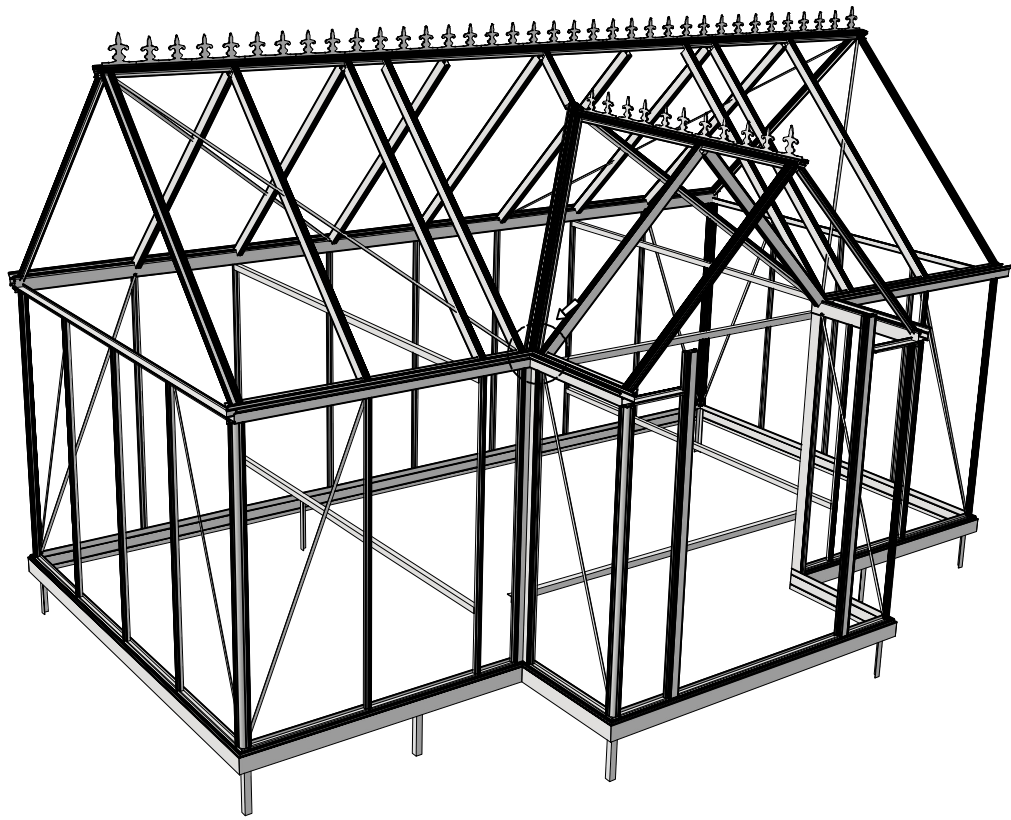
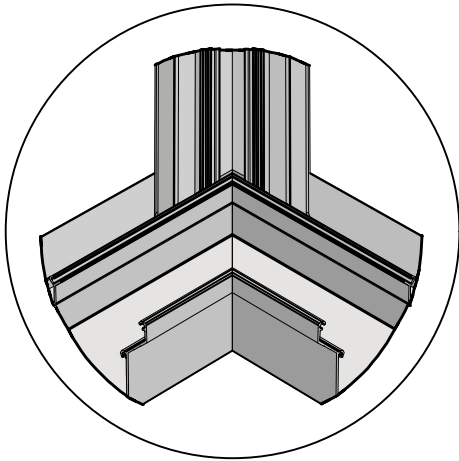


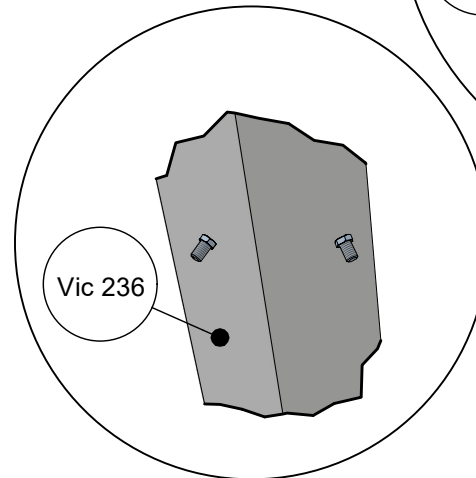
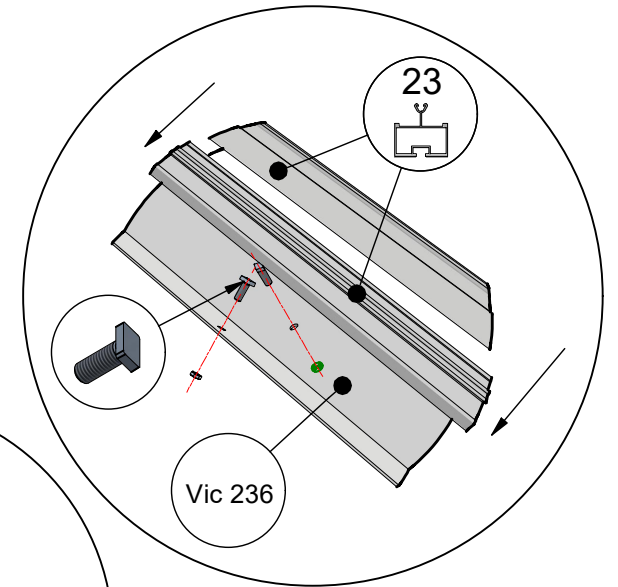
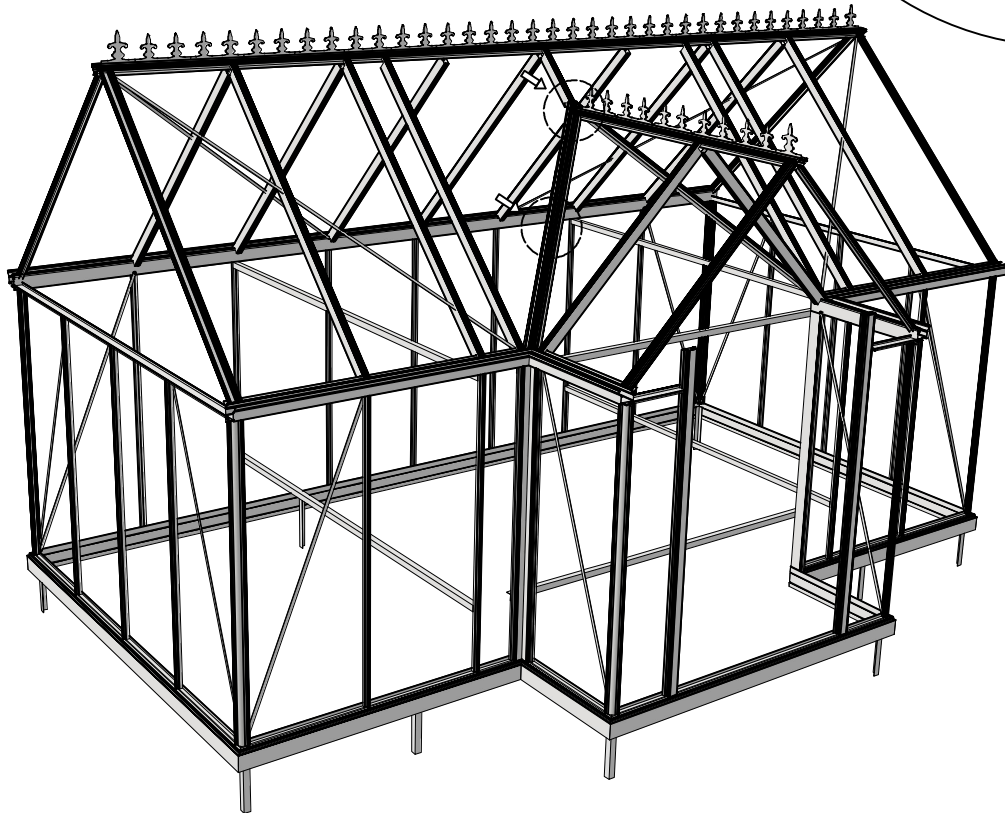
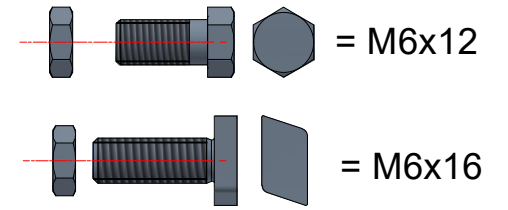
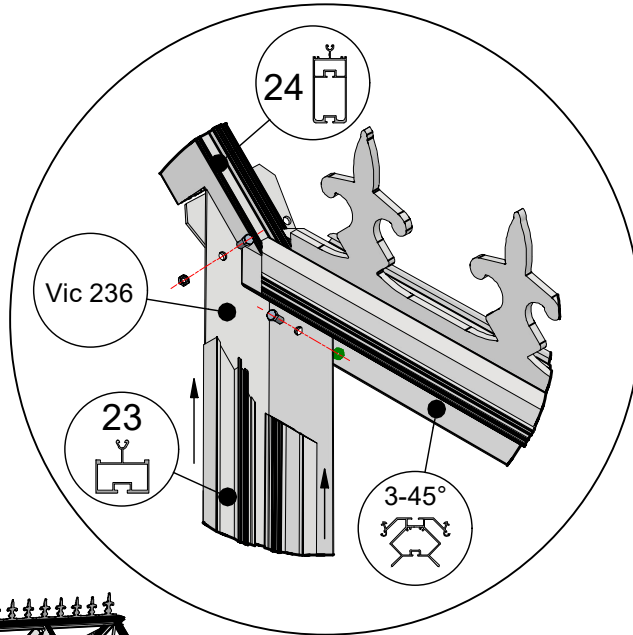
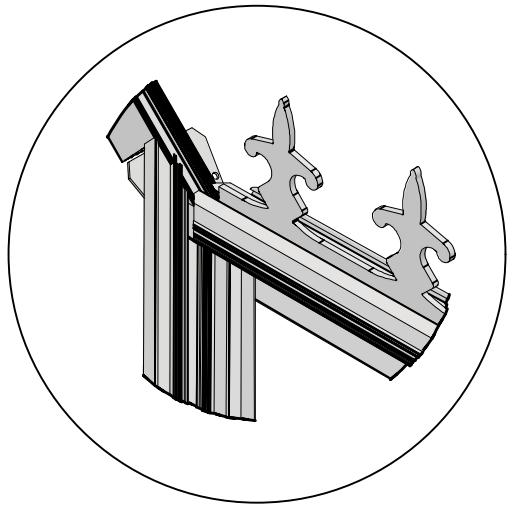


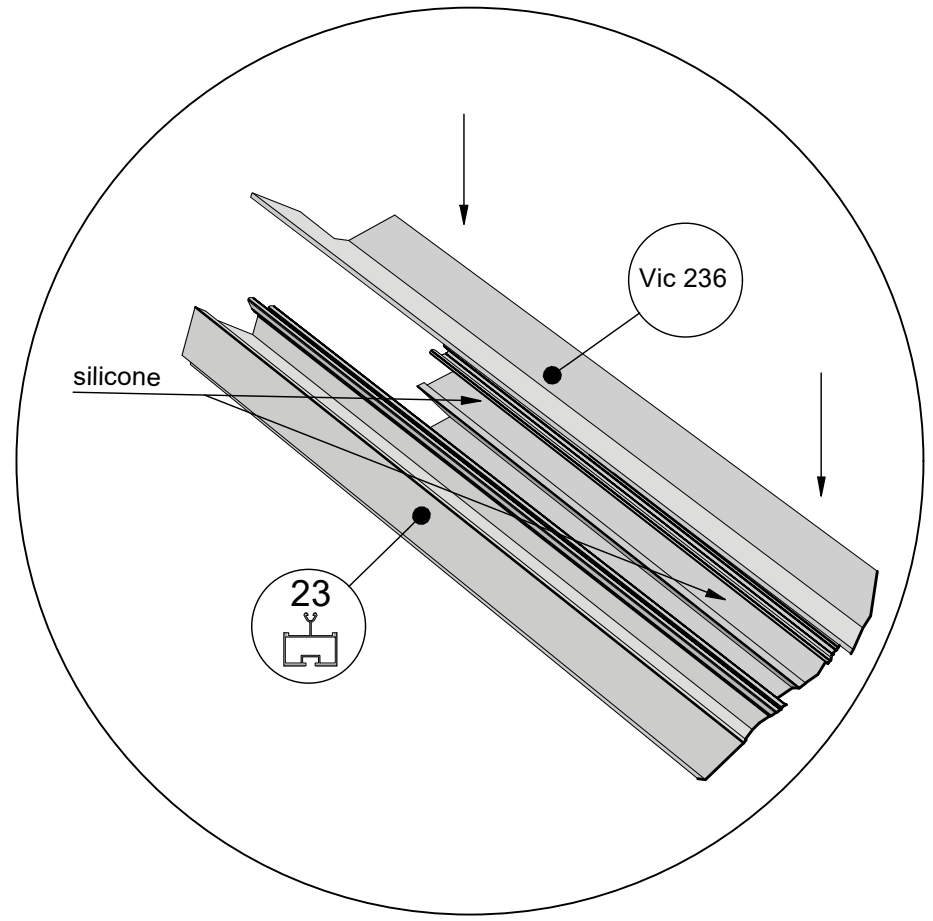
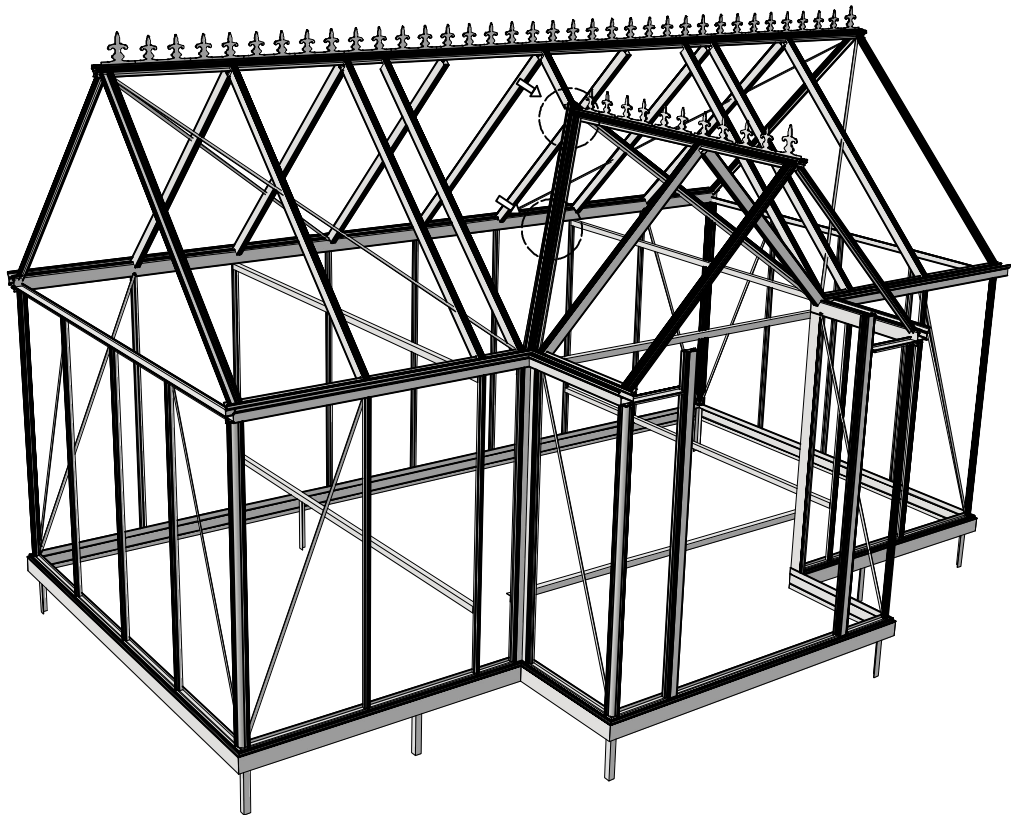
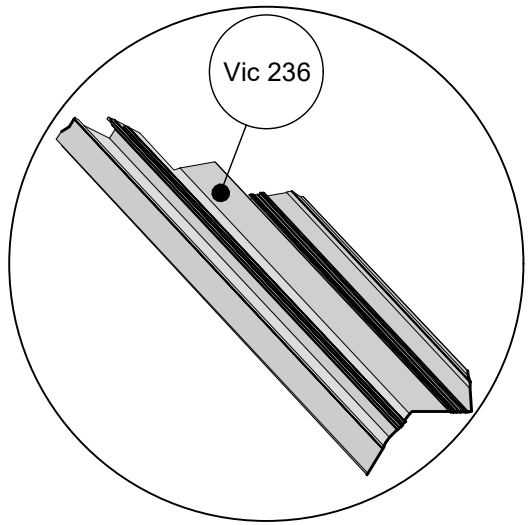
 = M6x12

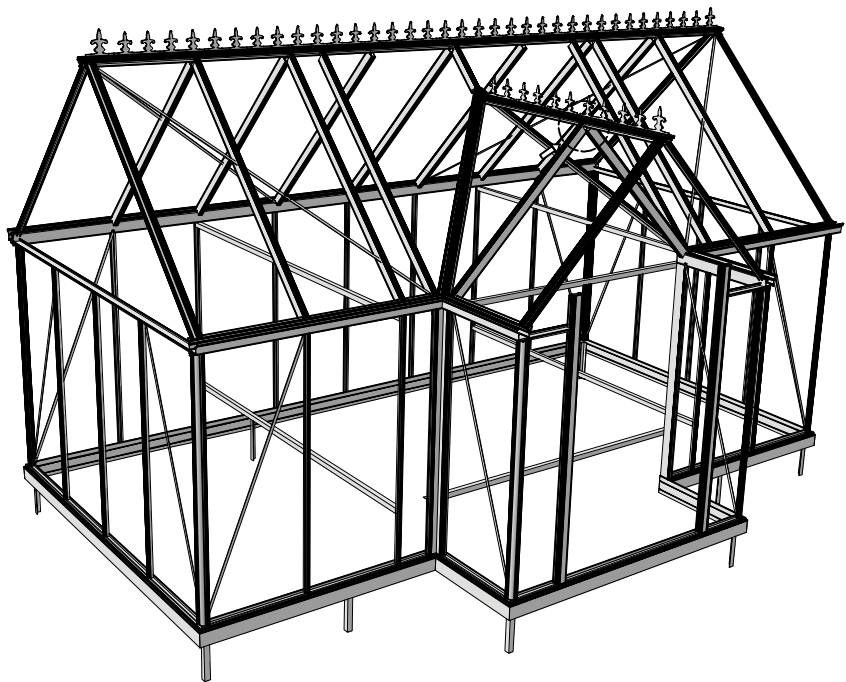
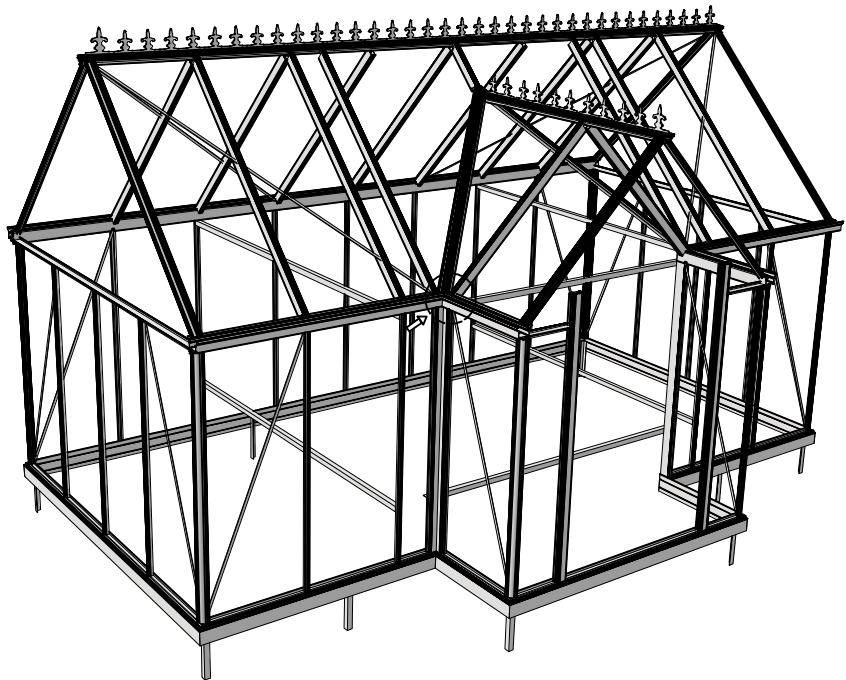



 = M6x12

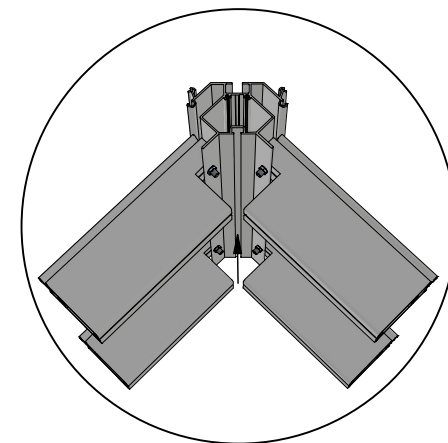
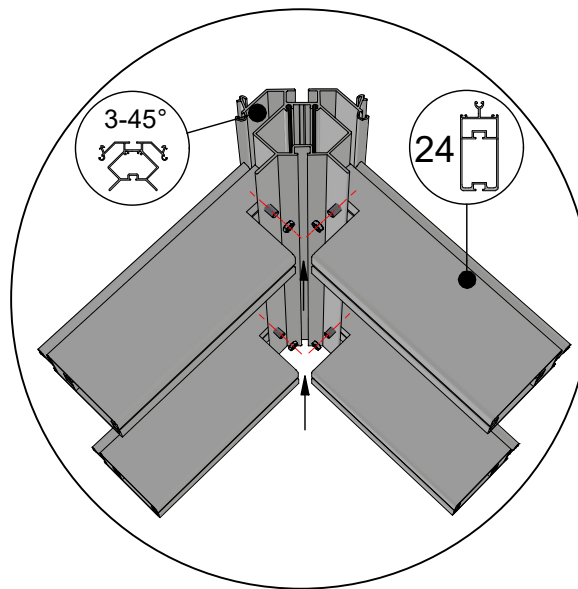
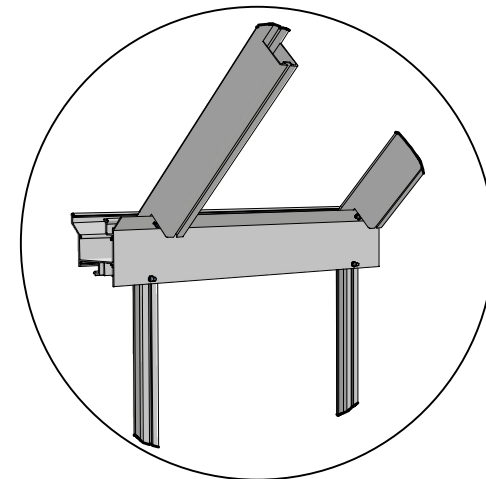
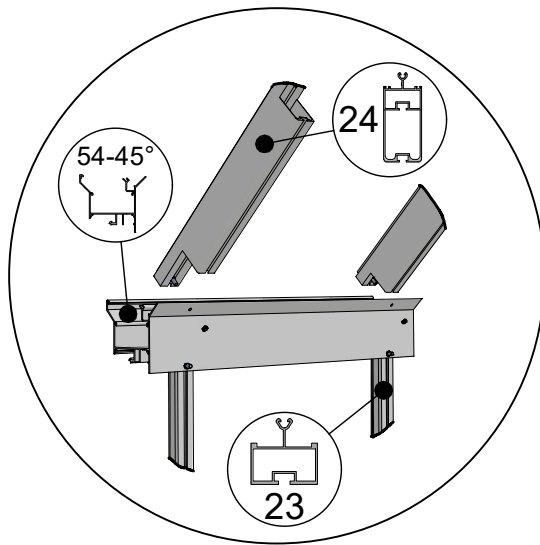


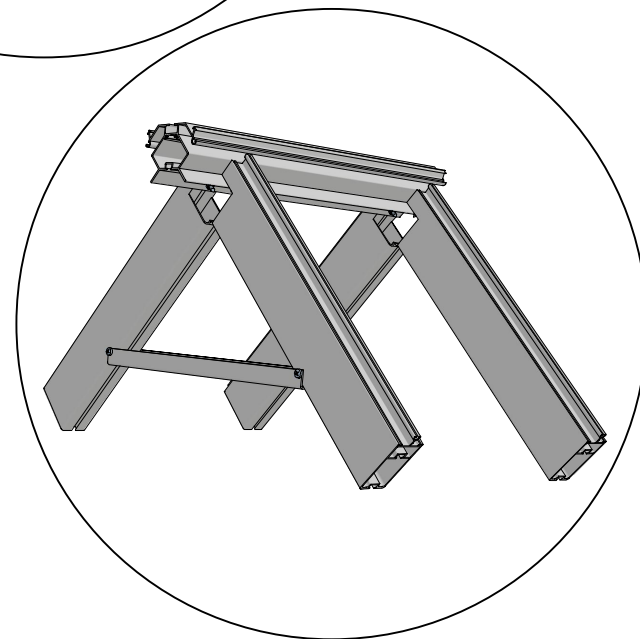
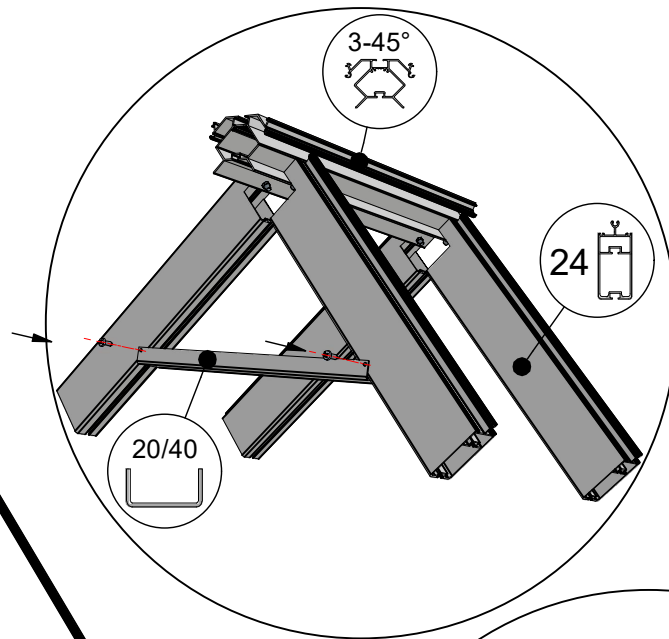
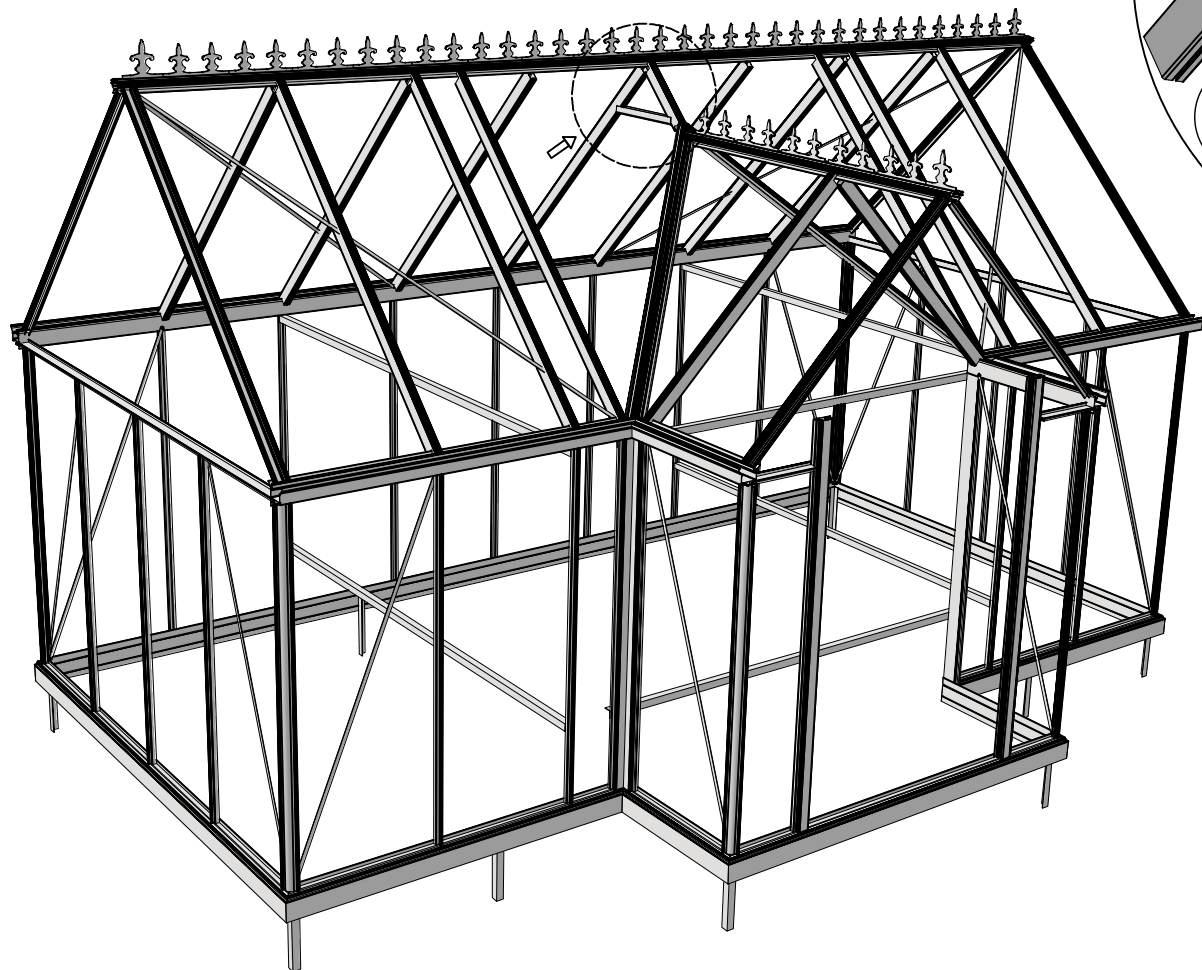
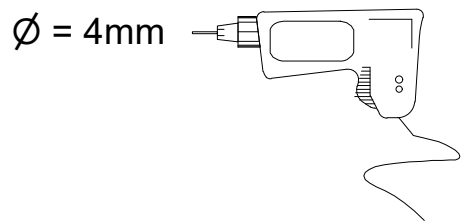
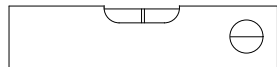


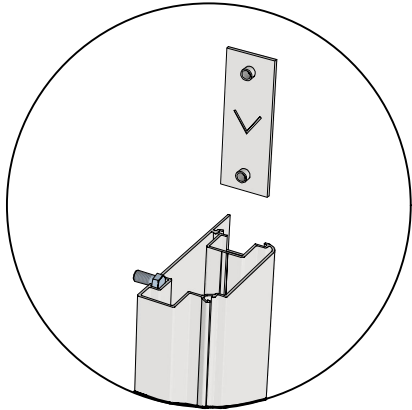




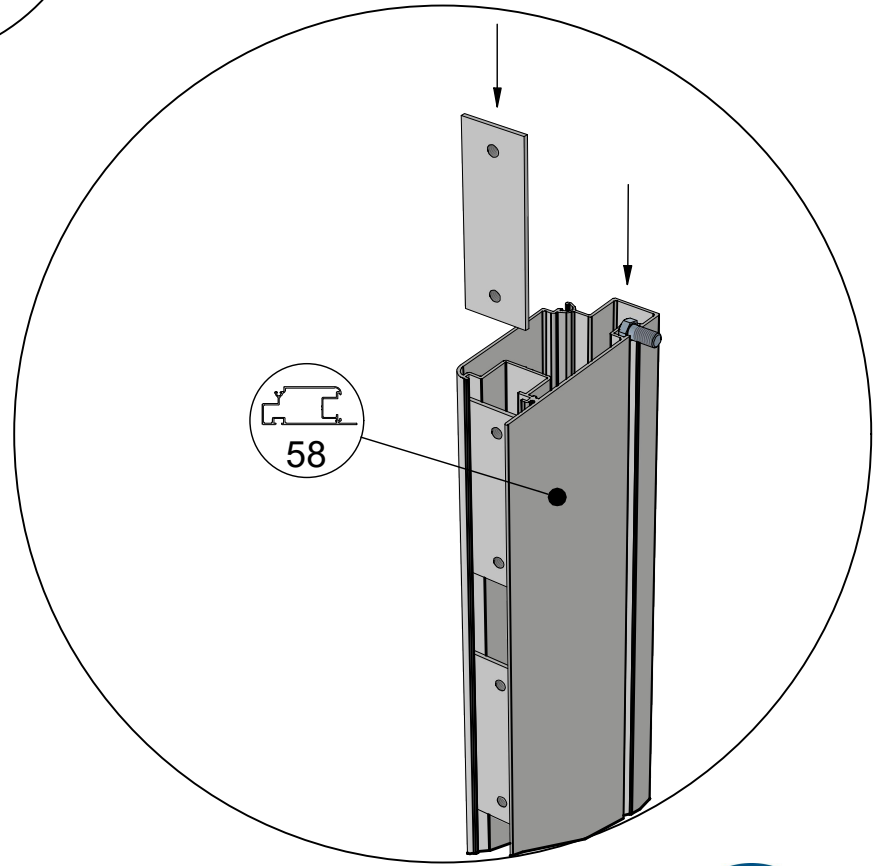
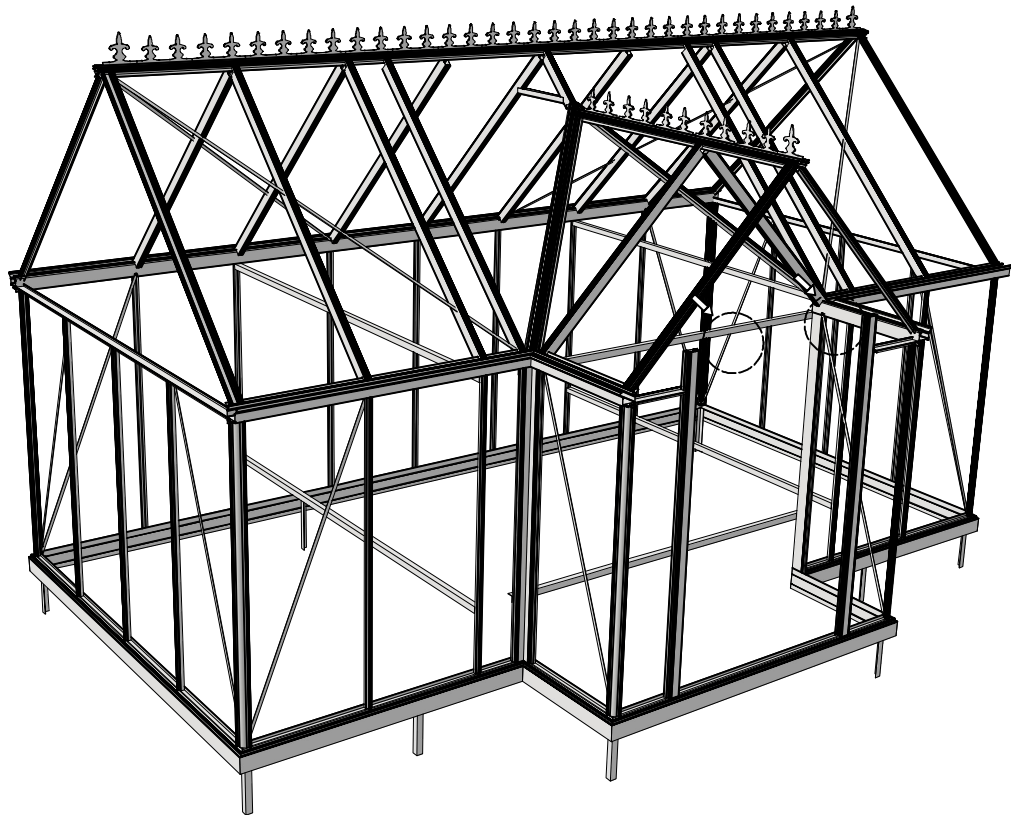
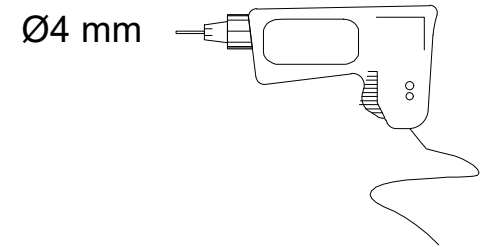
 = M6x12



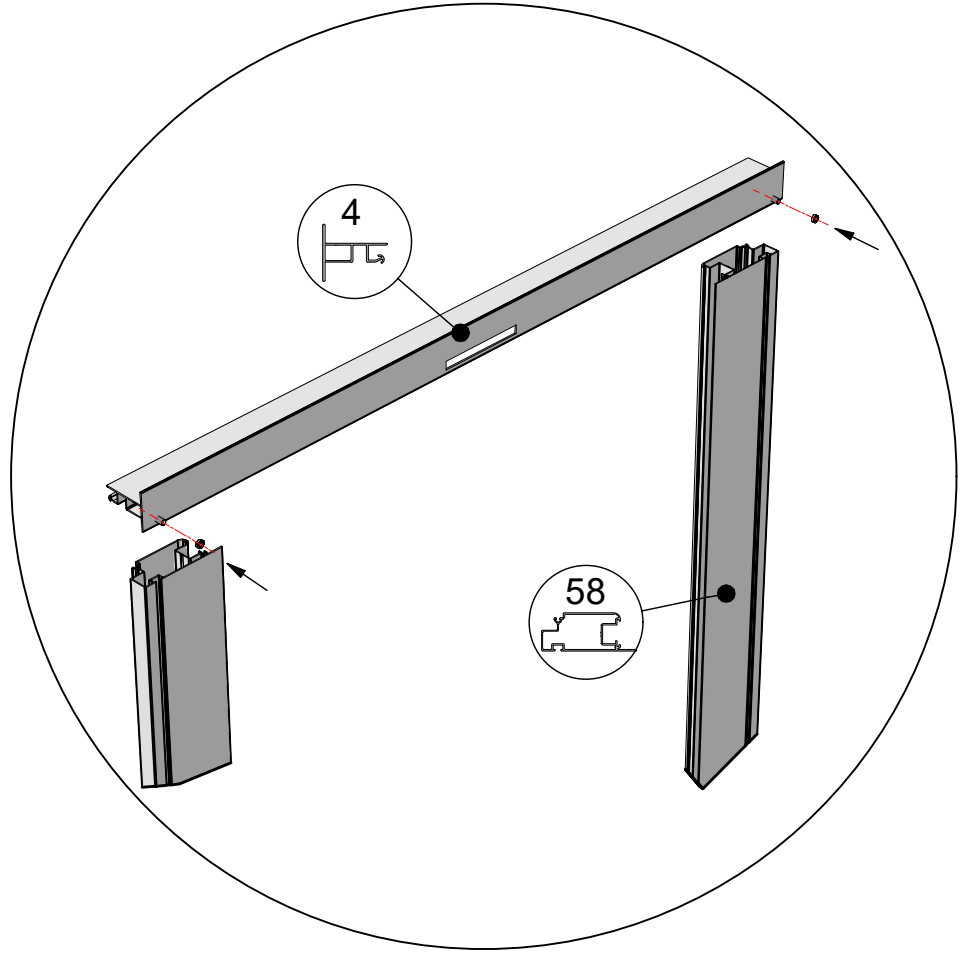
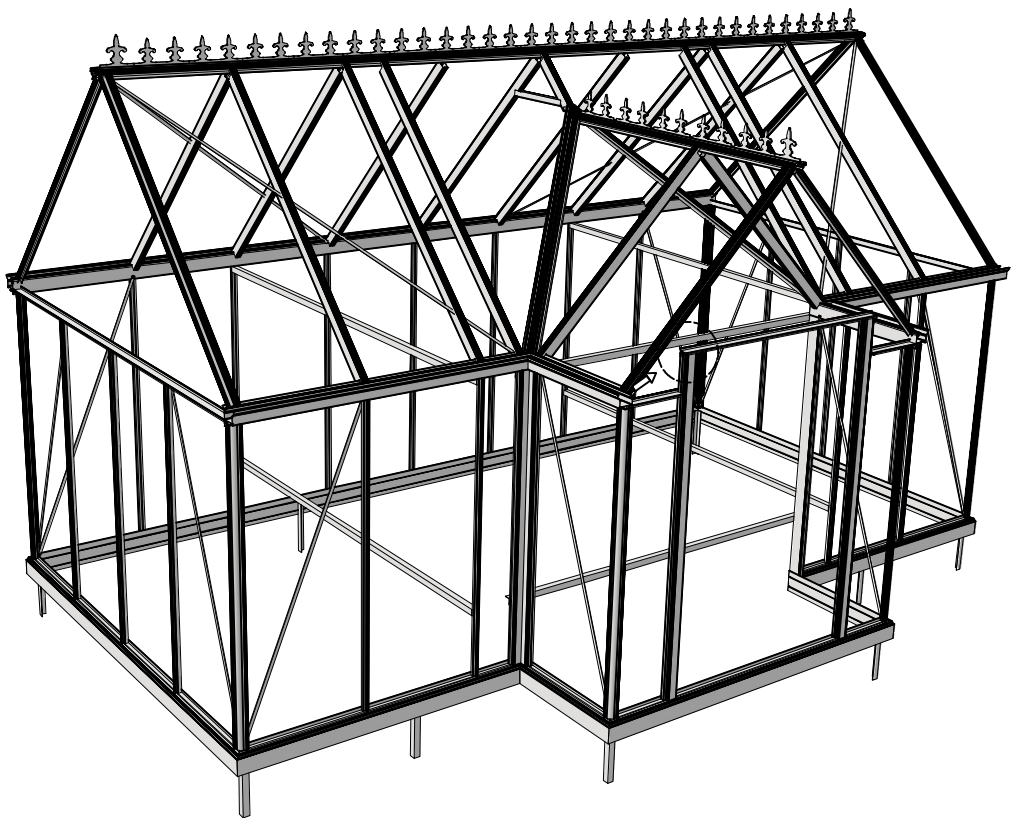
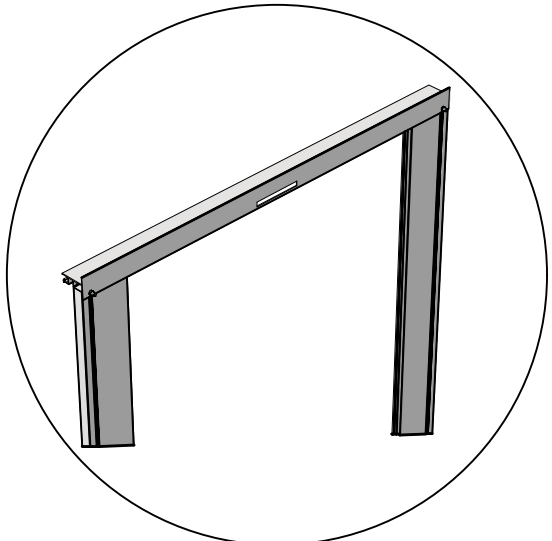


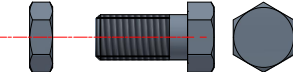


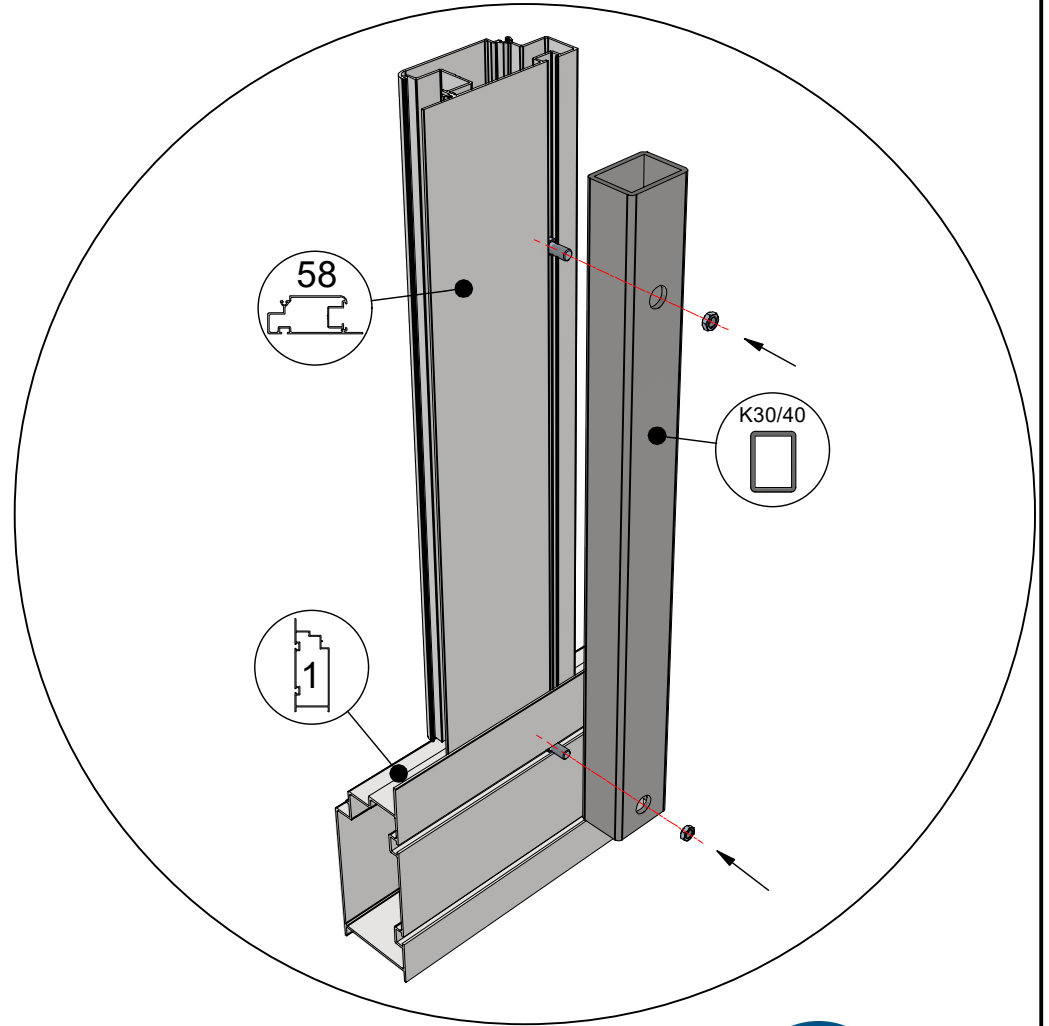
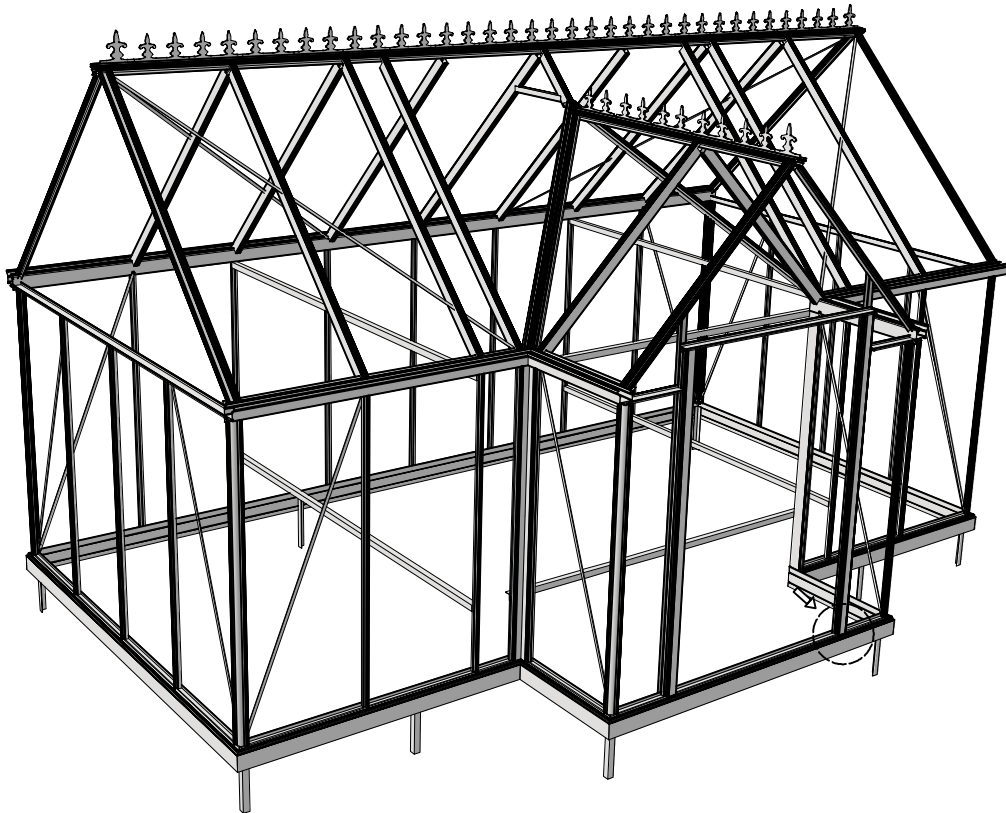
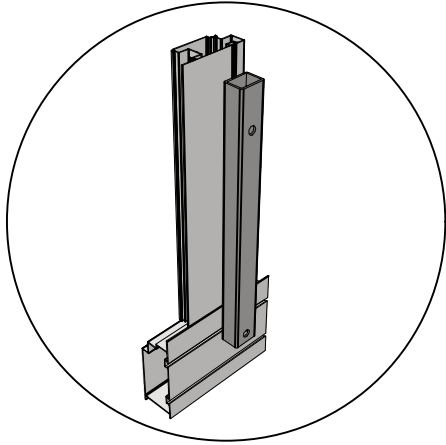
  = 4,2x25 (3x)




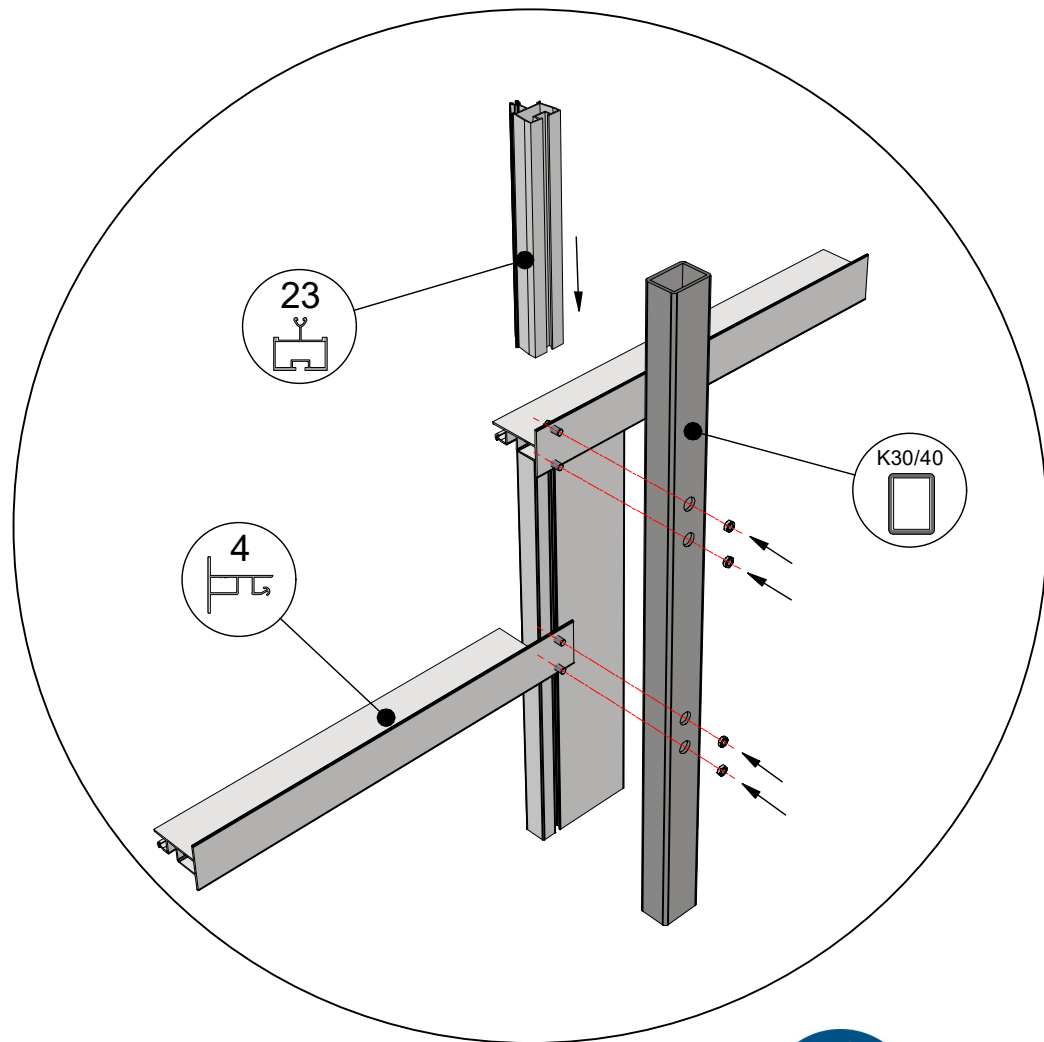
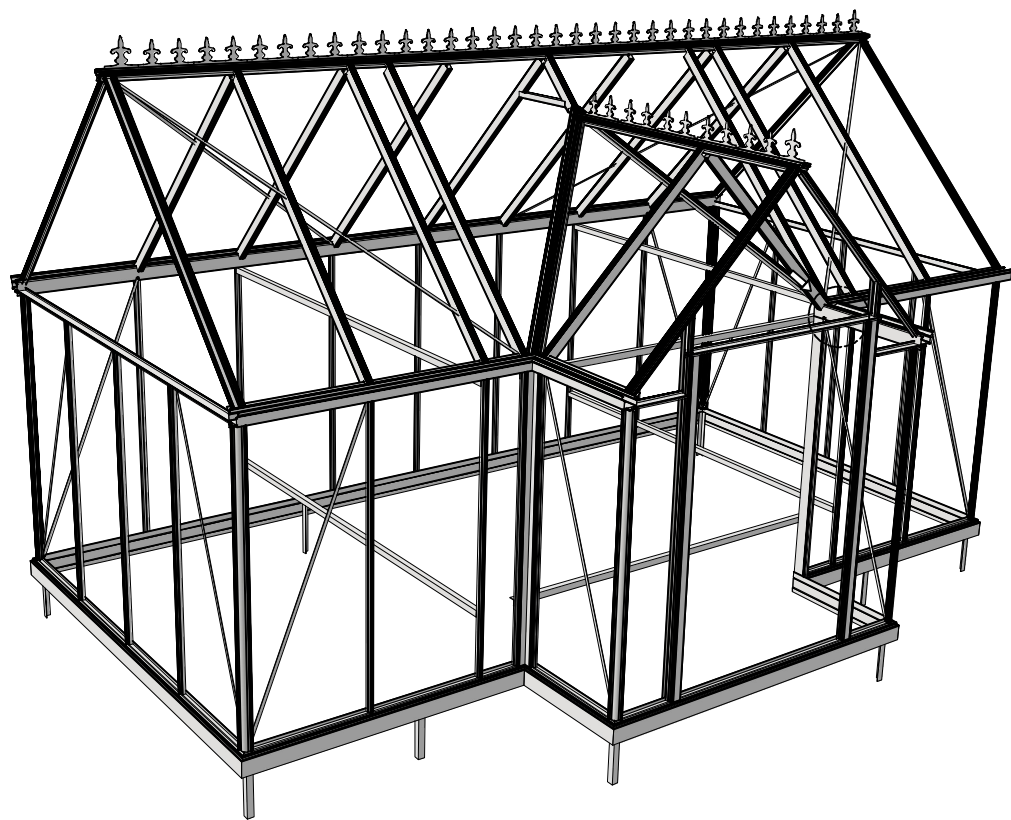
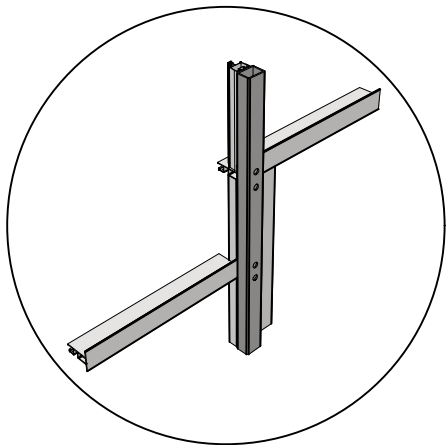
 = M6x12




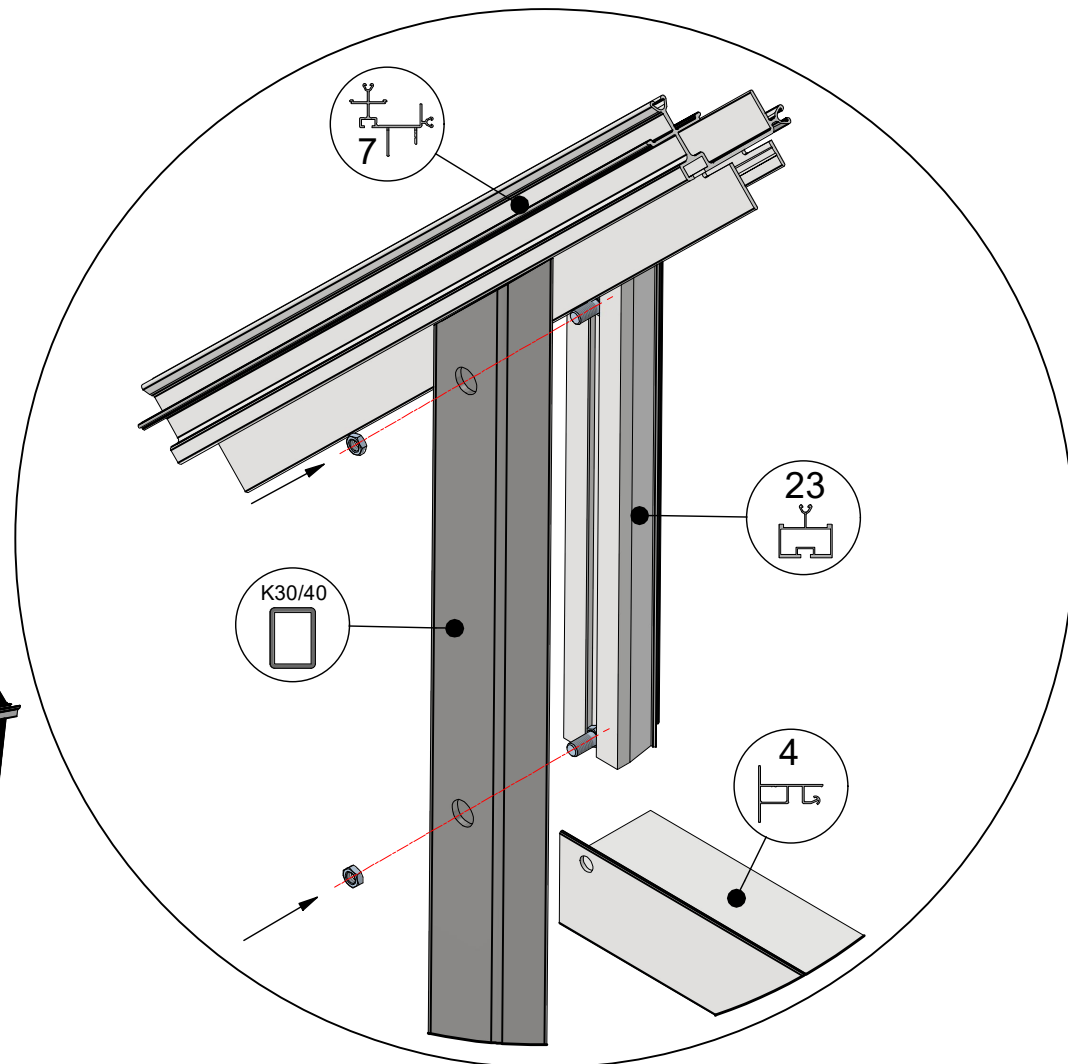
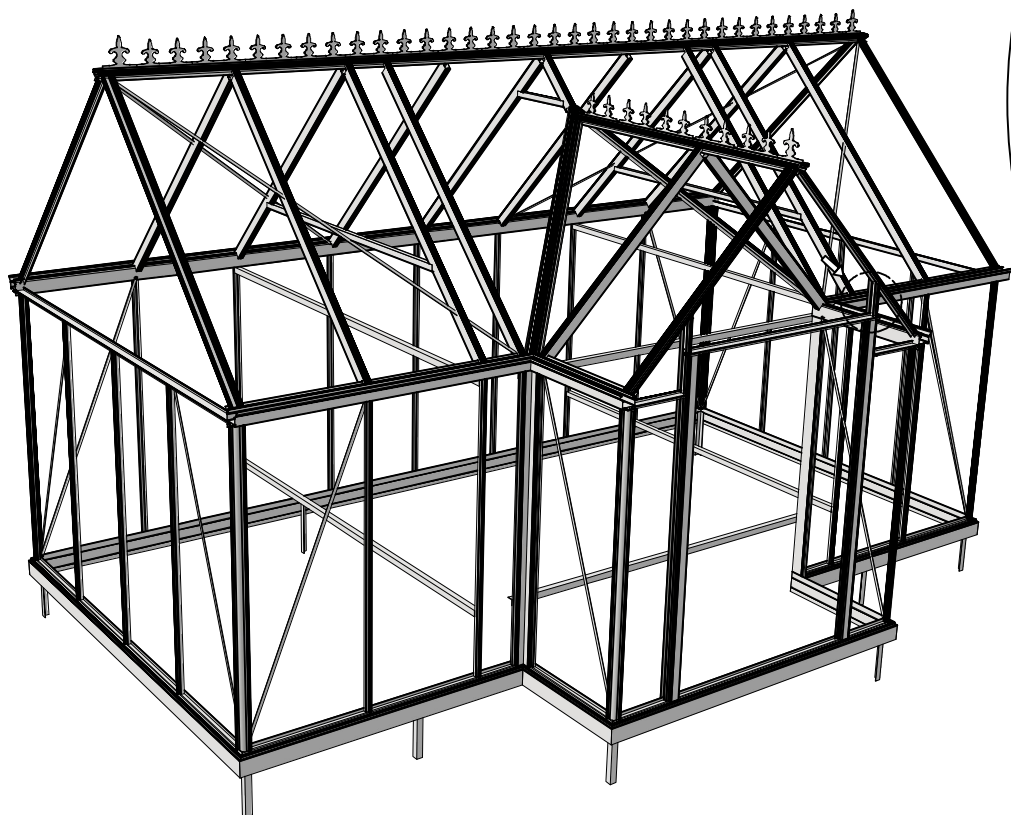
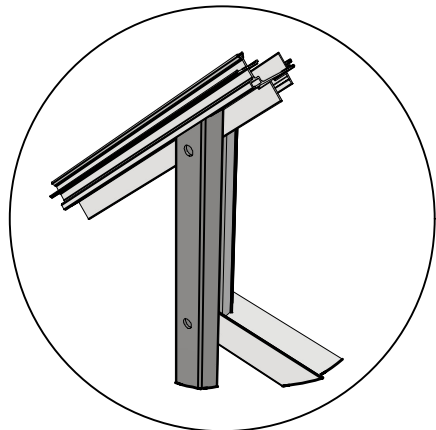
 = M6x12

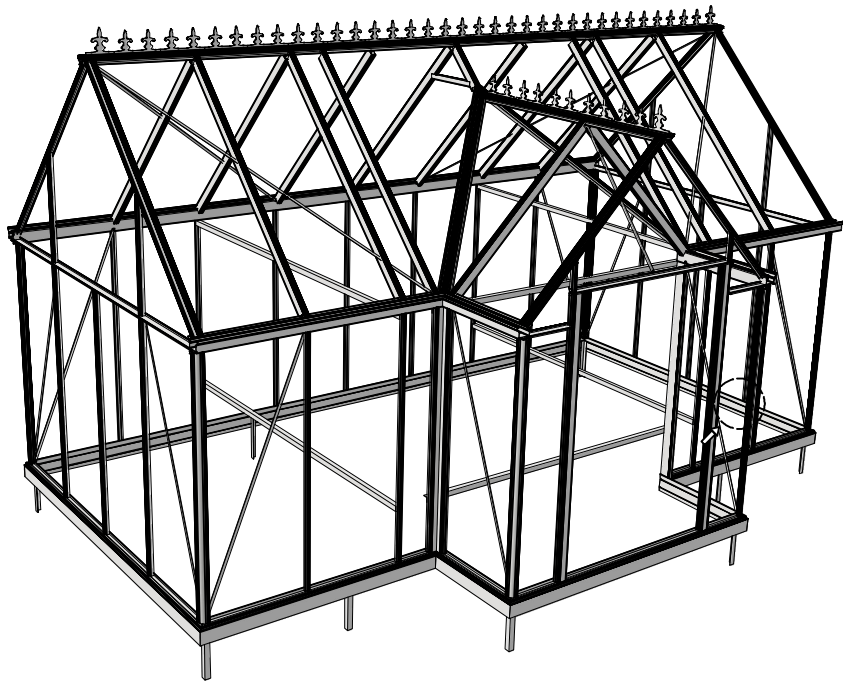


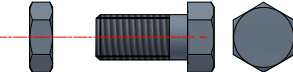
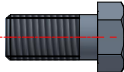

 = M6x12

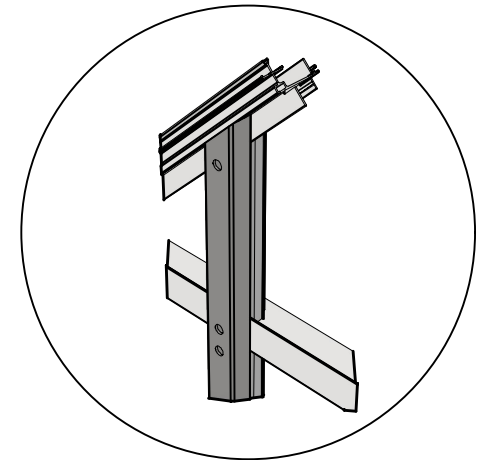
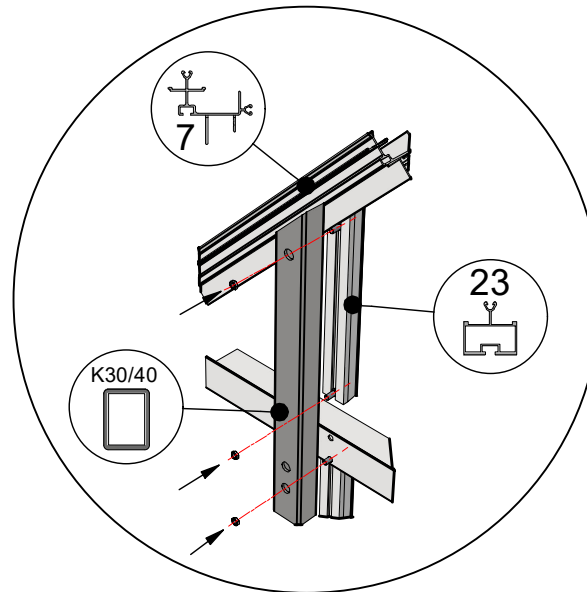
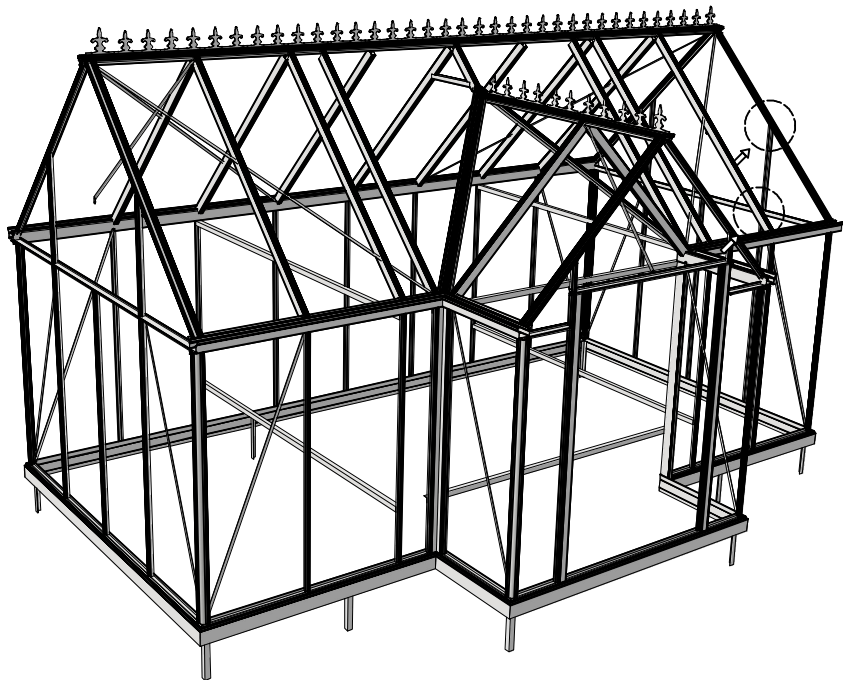
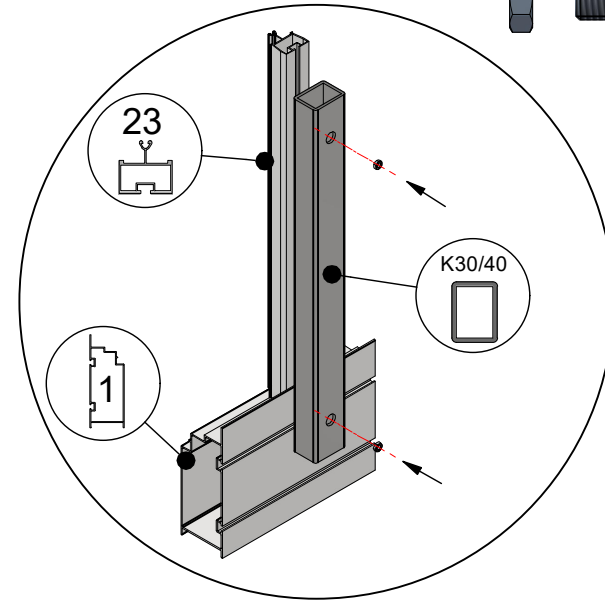


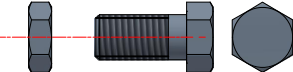
 = M6x12

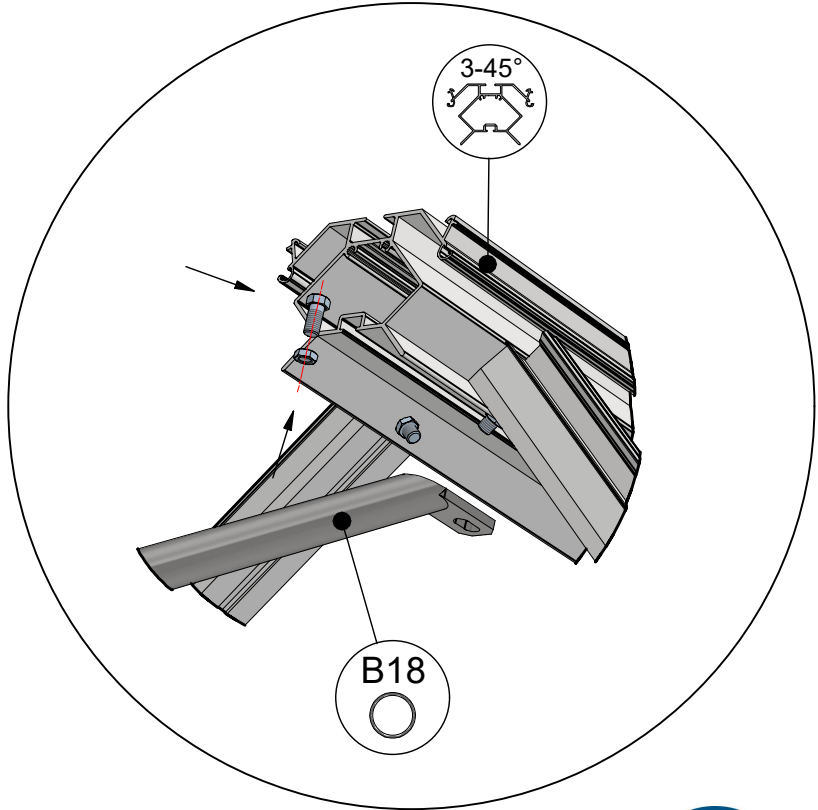
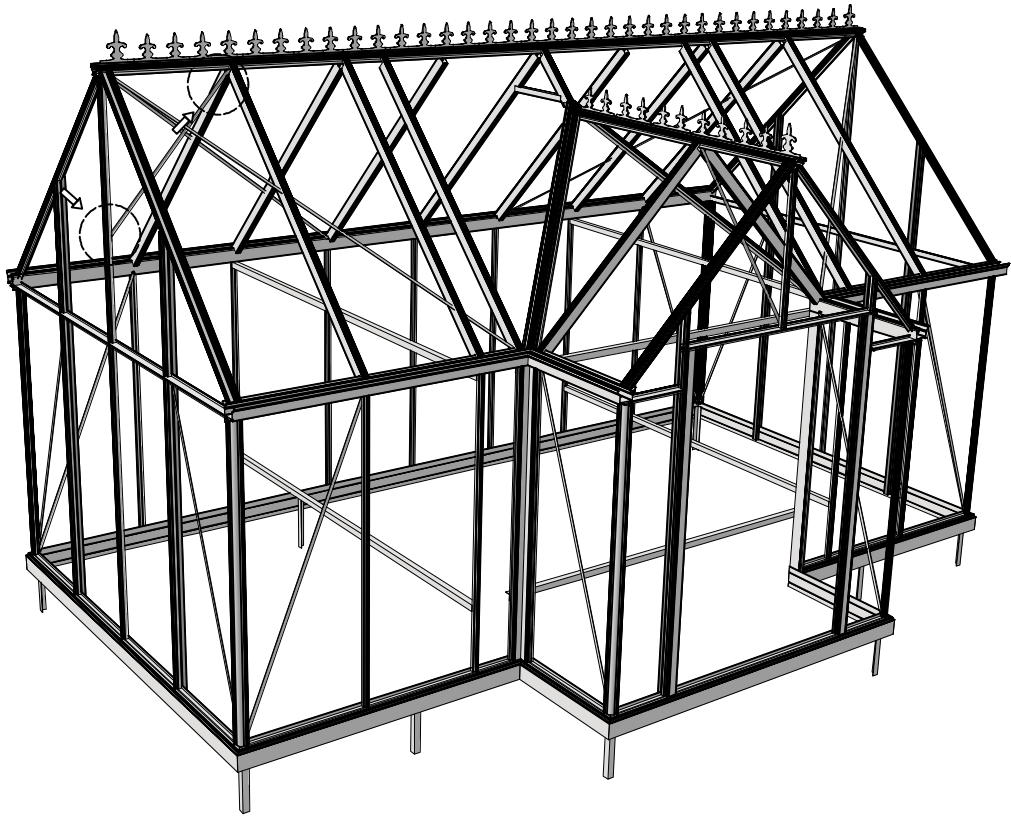
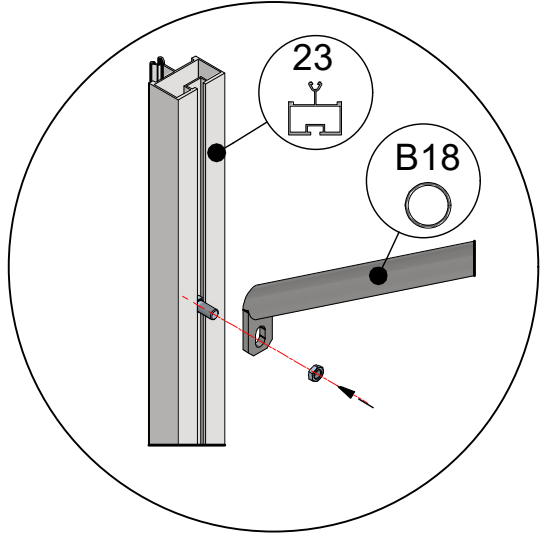




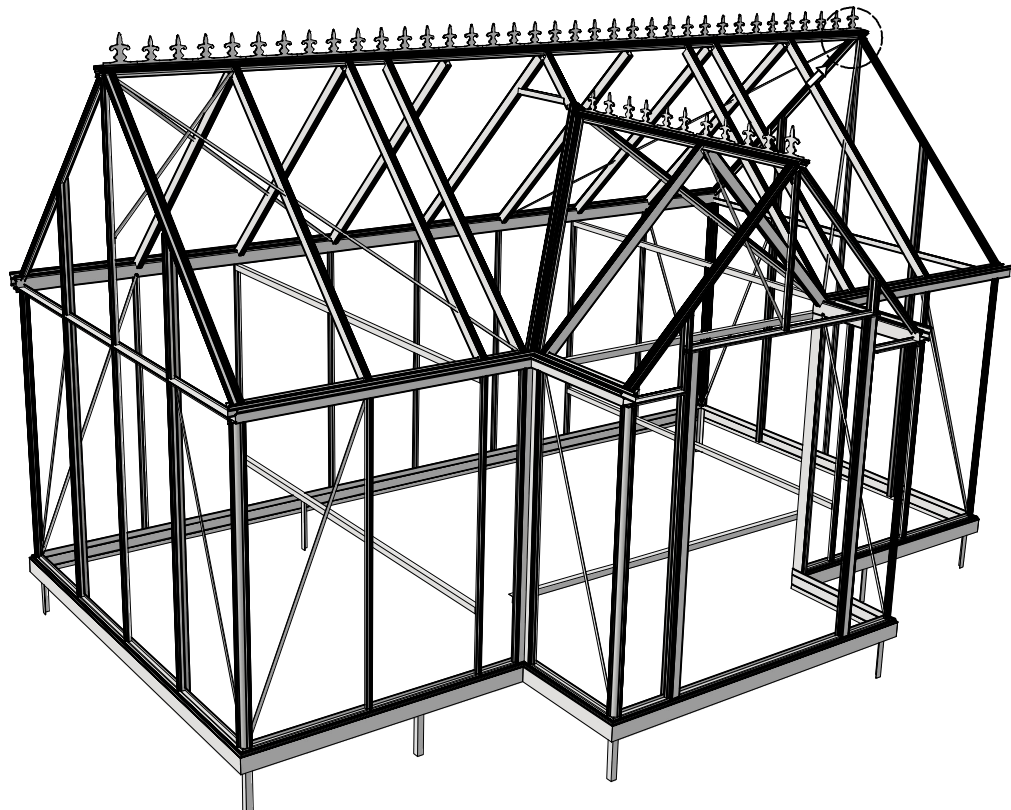
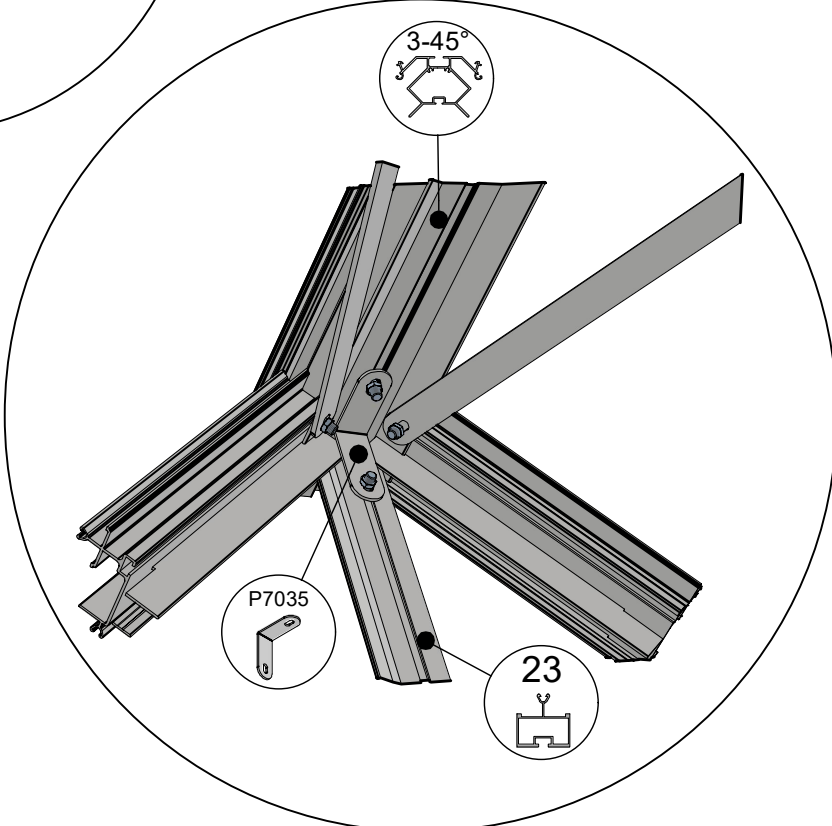
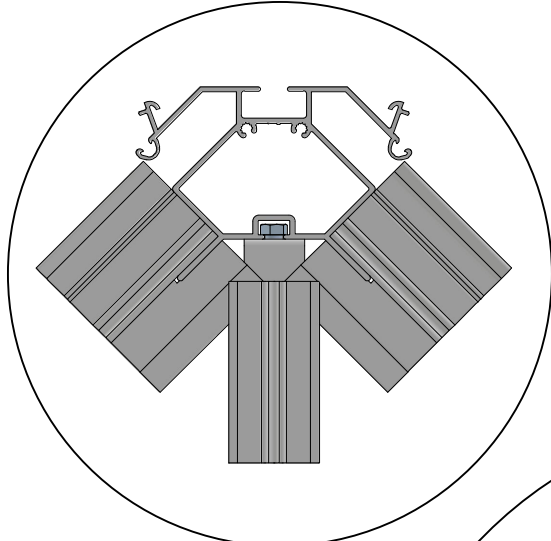
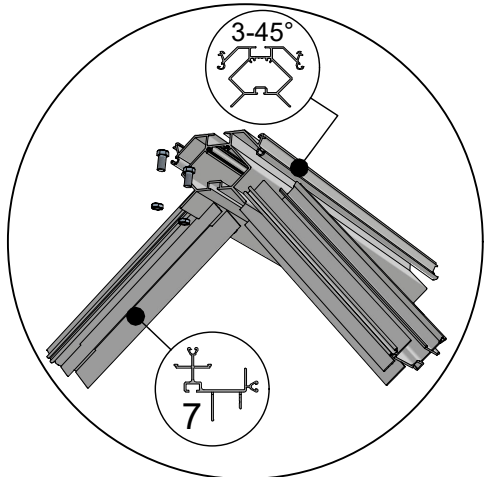


 = M6x12

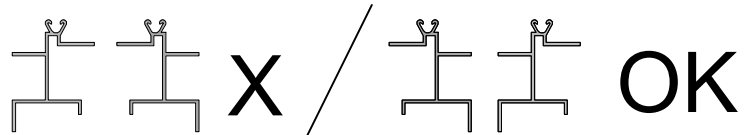
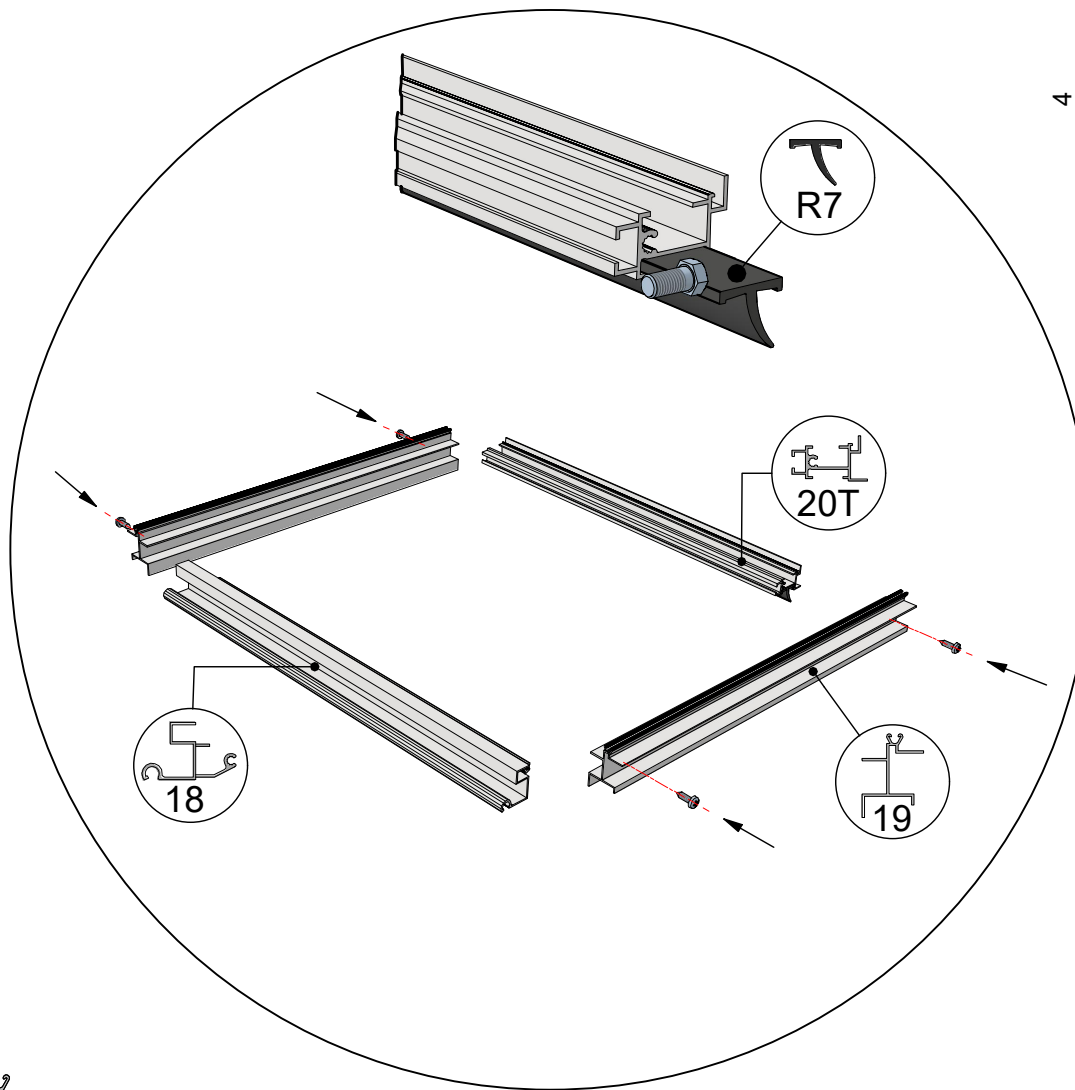
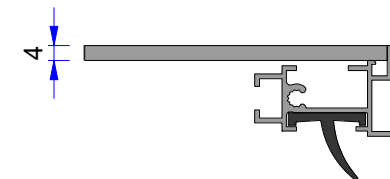
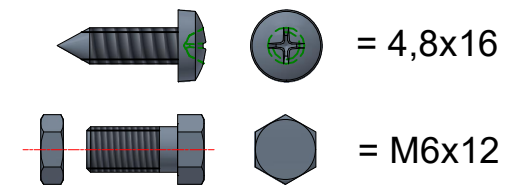
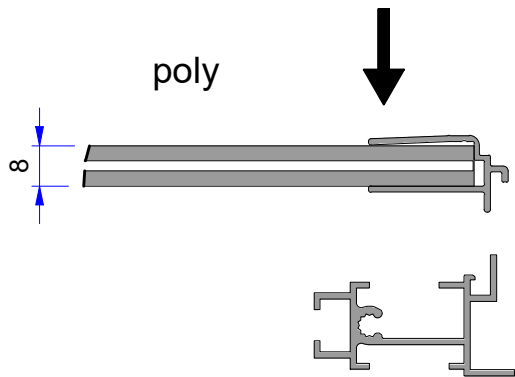


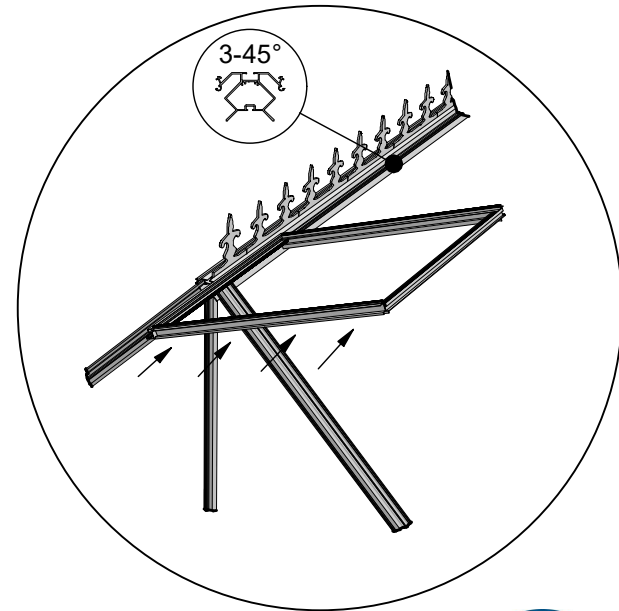
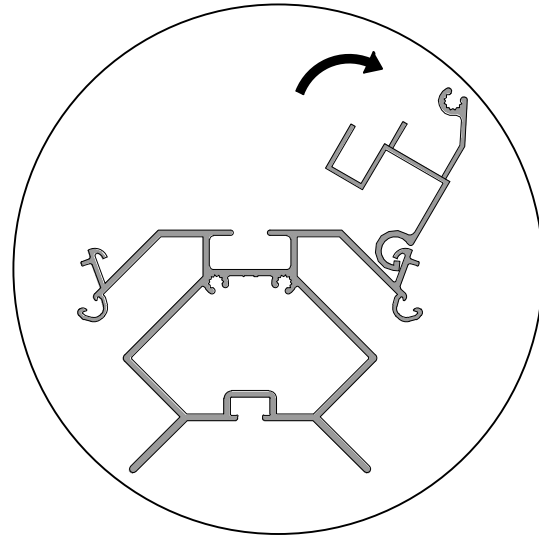
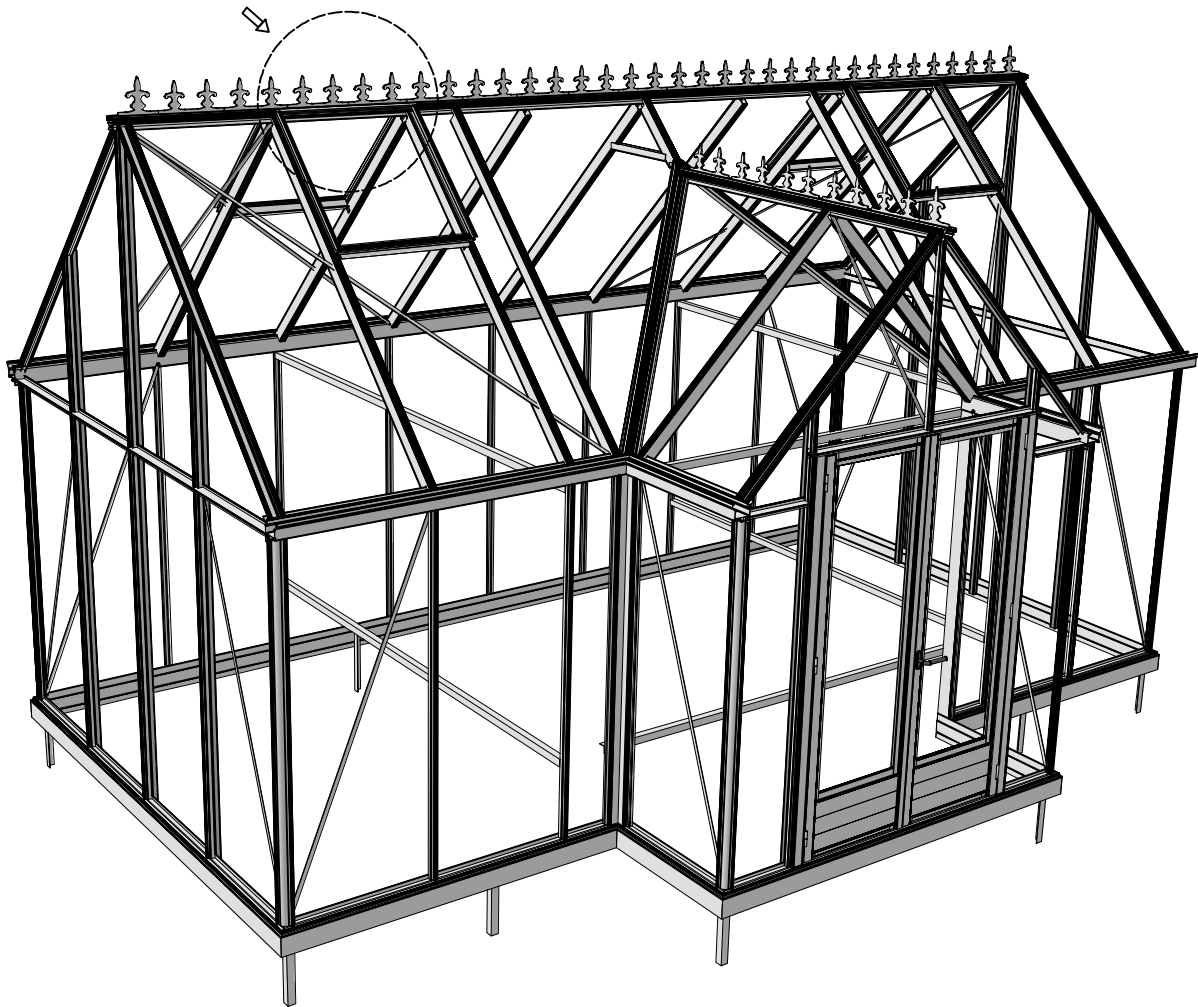
 = M6x12

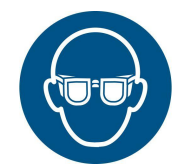
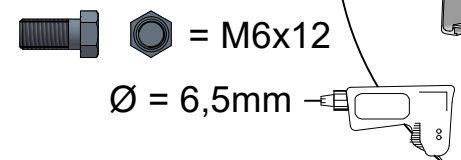
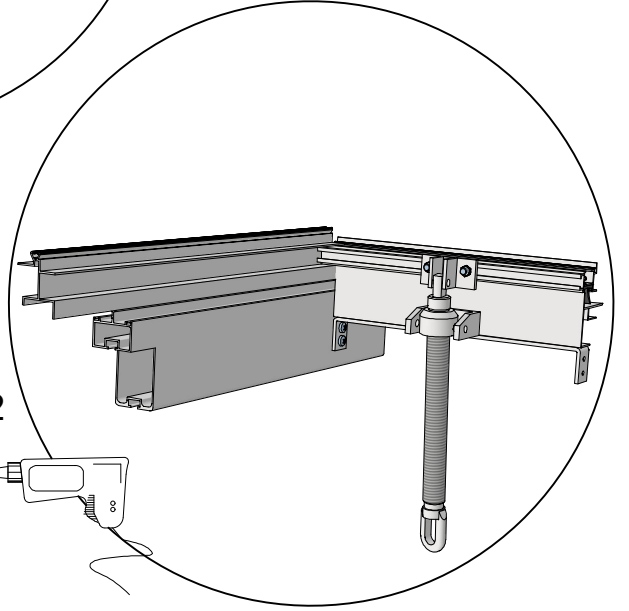
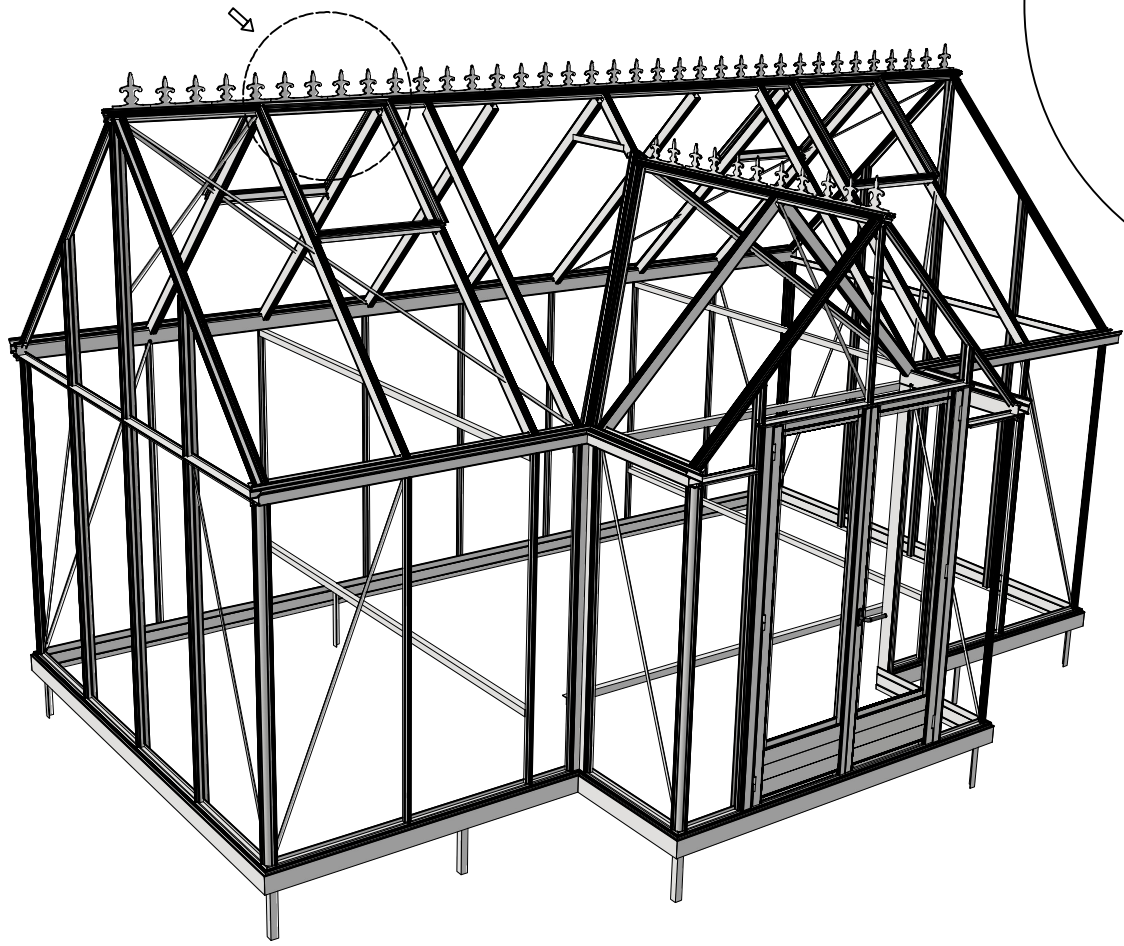
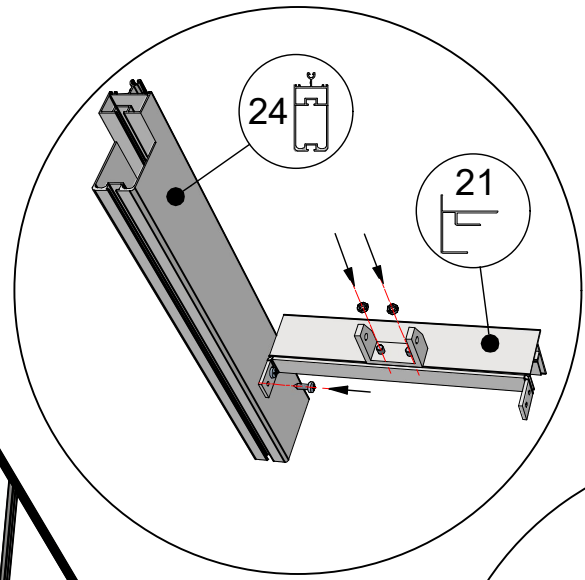
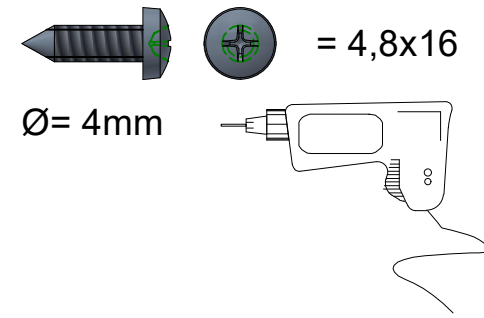
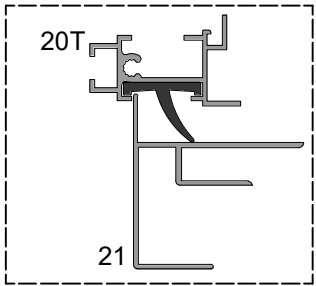


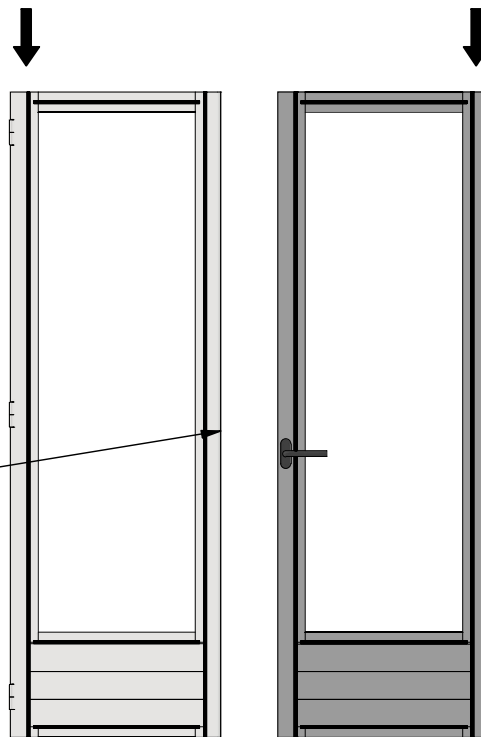
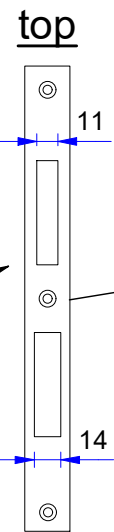
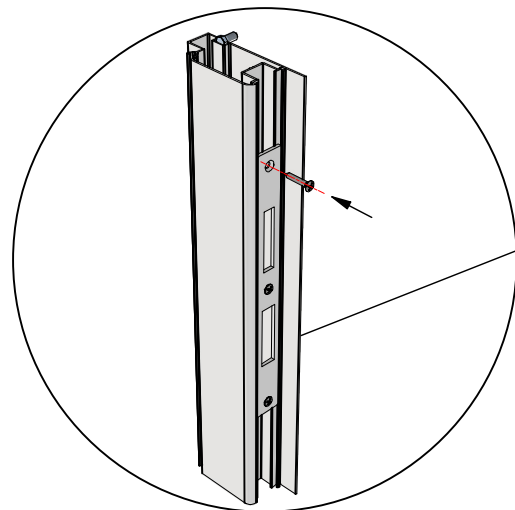
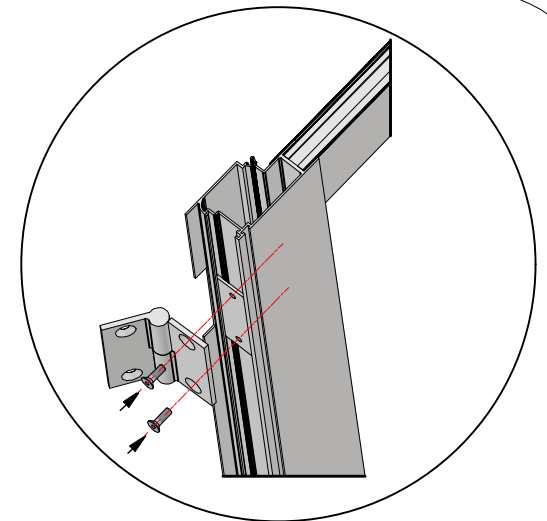
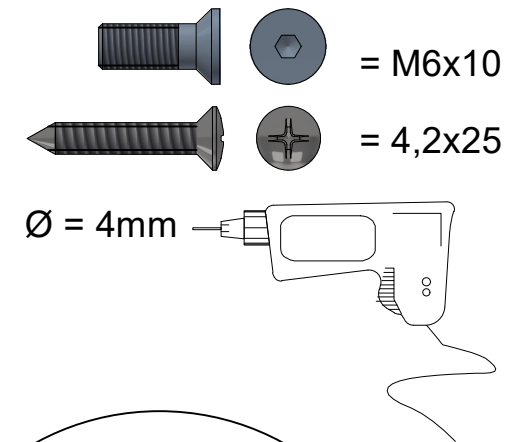
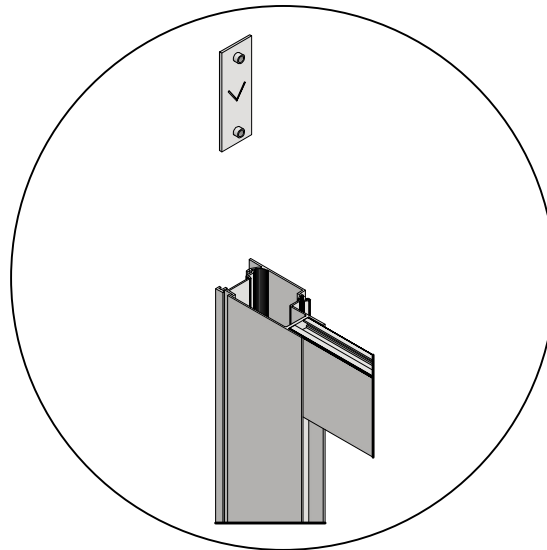
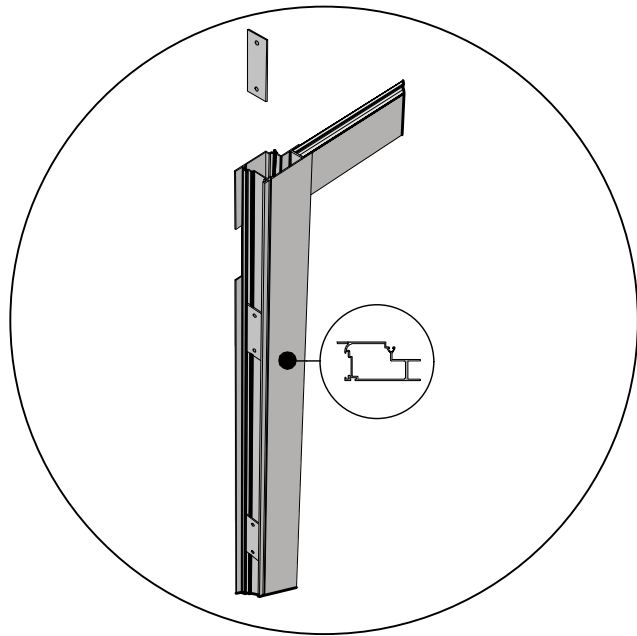
 = M6x12

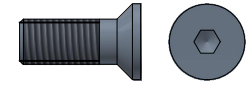


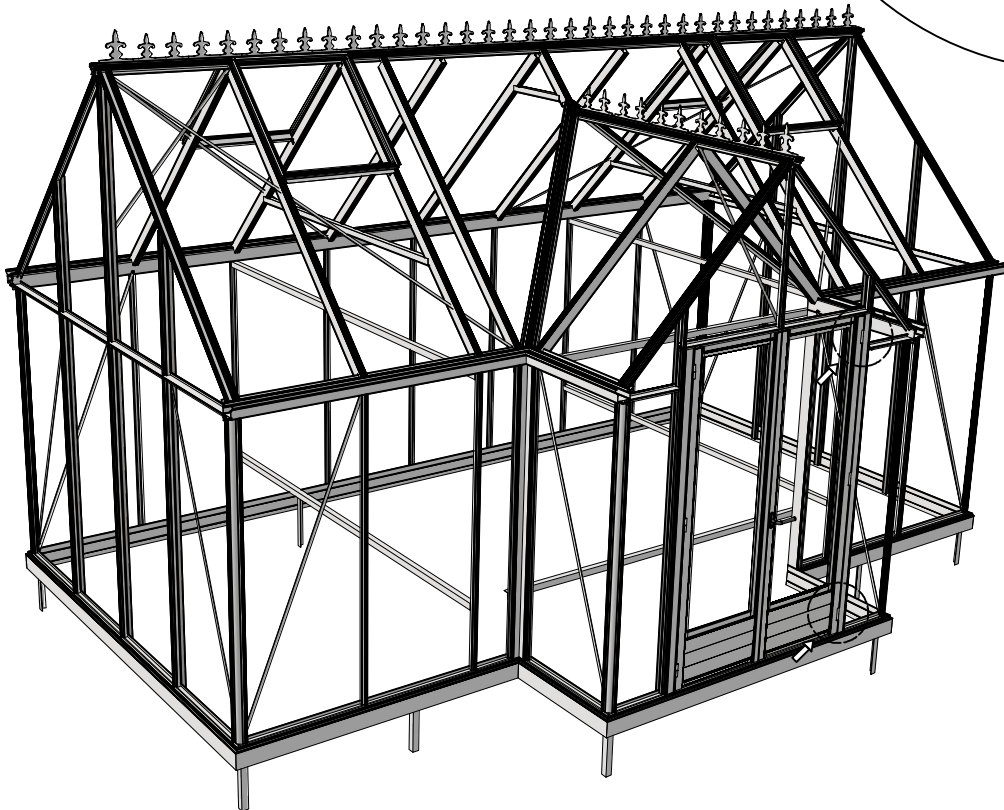
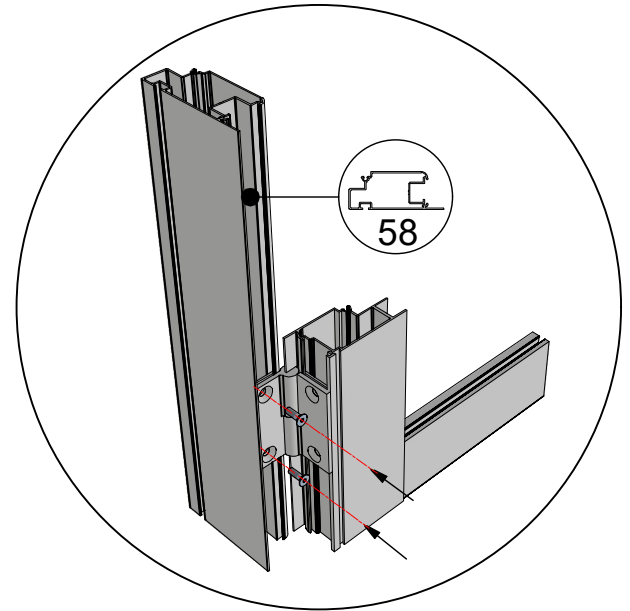
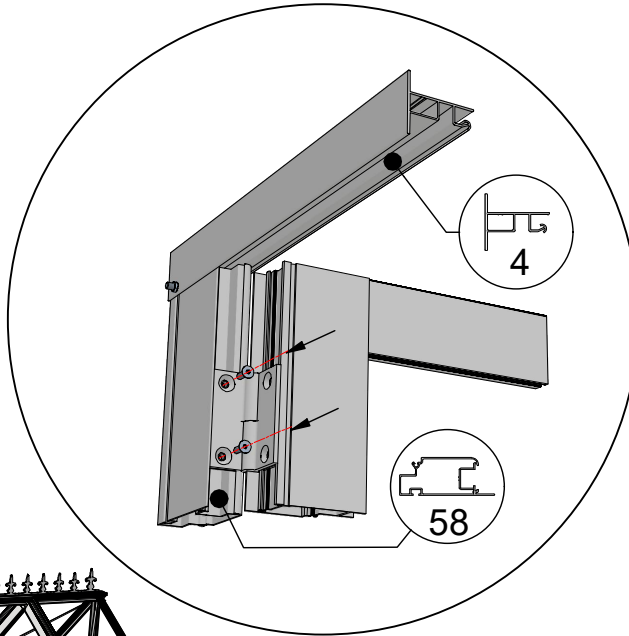








 = M6x10



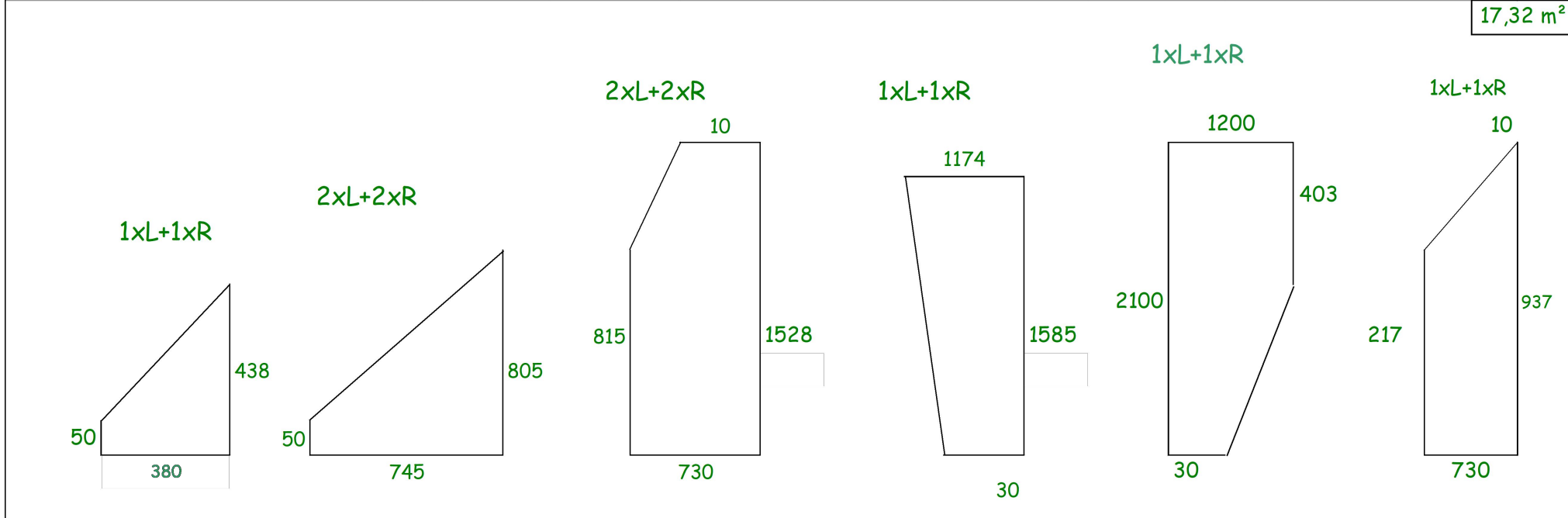
Glass Dimensions Nv Euro-serre

Victorian 2,36m

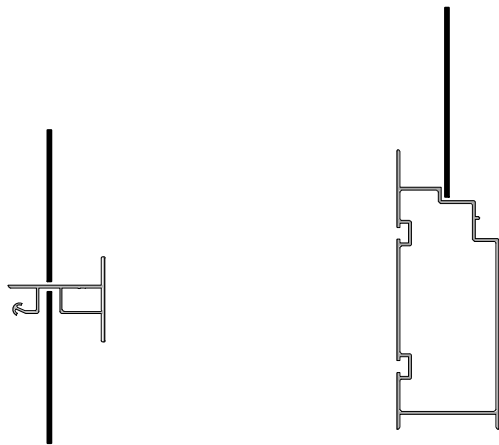
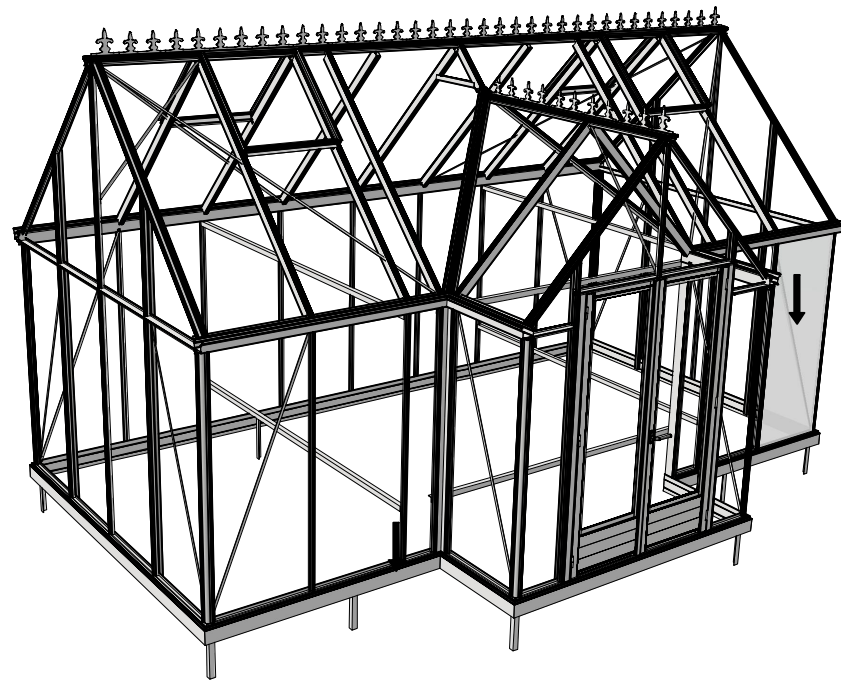
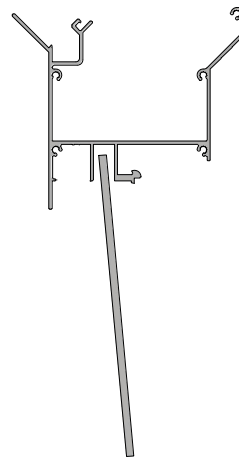
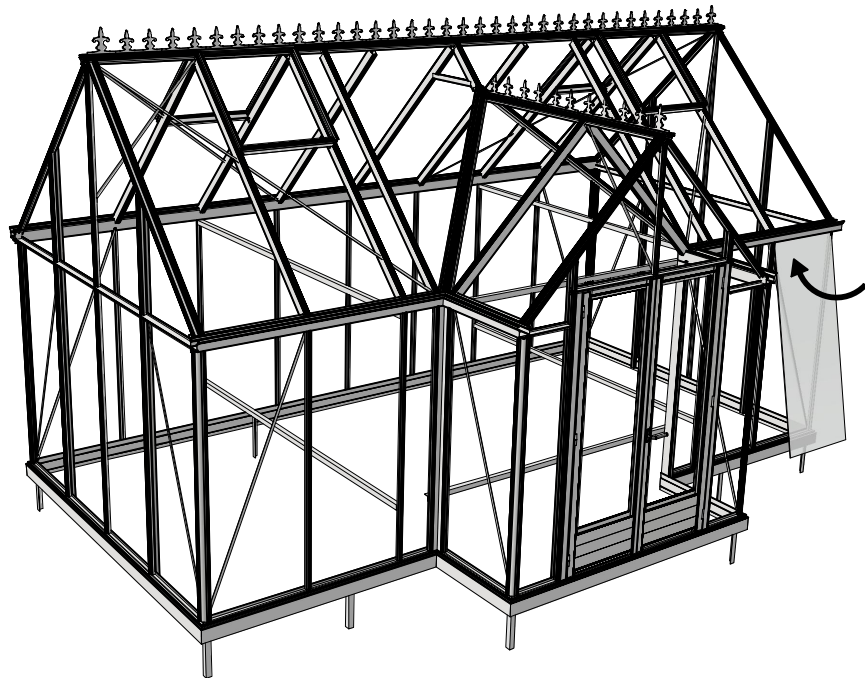
GlassH: 1850

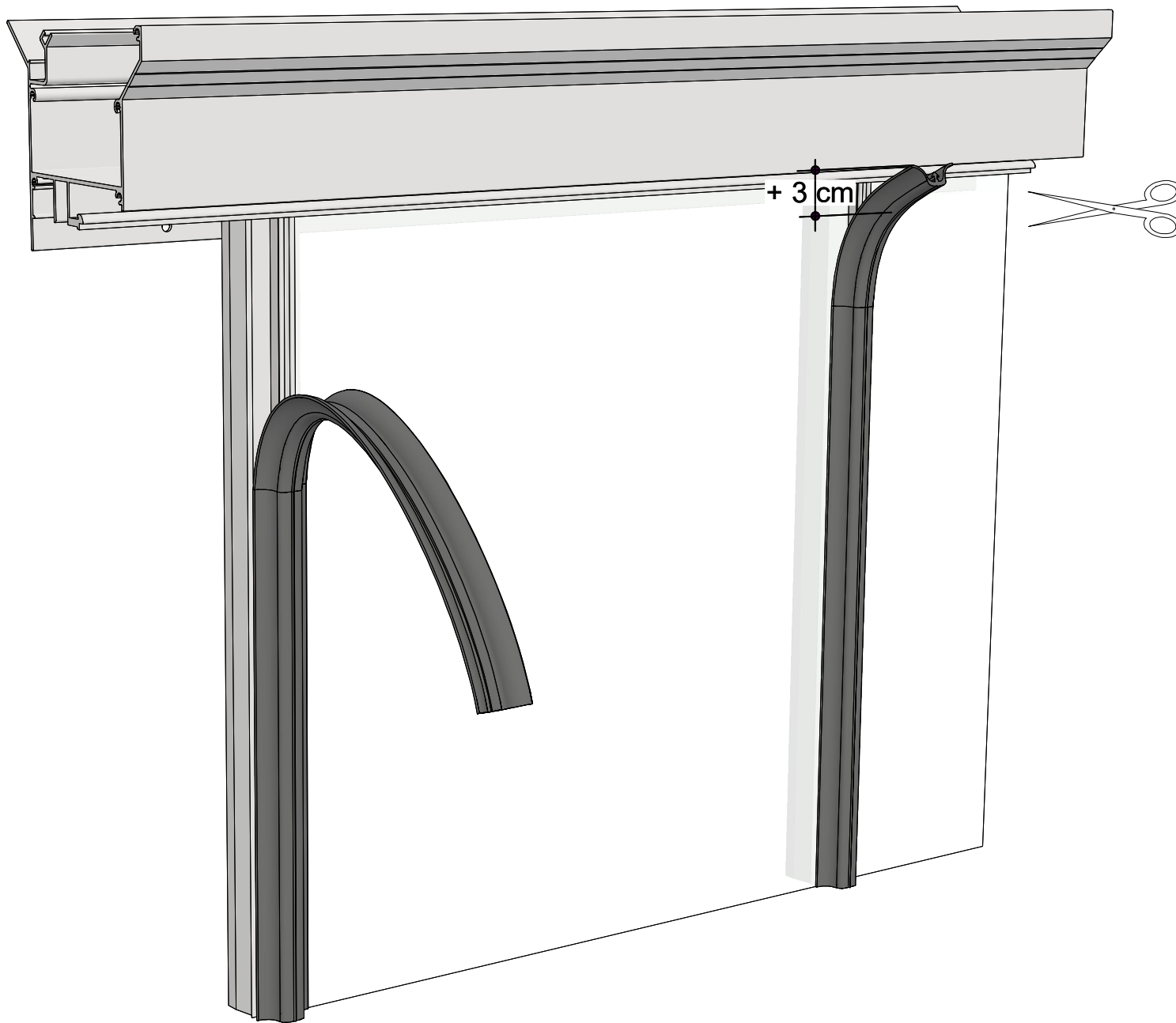
Glass Size 730mm		Sides				Roof					m ²	m ²
		1850 x 730	1850 x 255	1850 x 360	1620 x 550	2110 x #	2110 x 255	1585 x 730	825 x 730	1273 x 730		
Victorian	2,36 x 4,57	18	2	2	2	6	2	2	2	2	28,4	15,7
Victorian	2,36 x 6,04	22	2	2	2	8	2	2	4	4	33,8	21,8
Victorian	2,36 x 7,53	26	2	2	2	10	2	2	6	6	39,2	28,0
Victorian	2,36 x 9,04	30	2	2	2	14	2	2	6	6	44,6	34,1

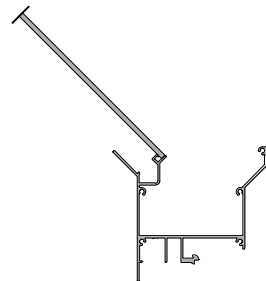
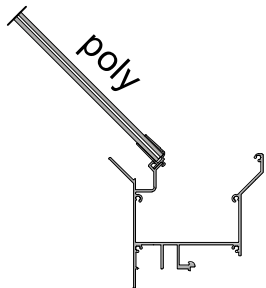
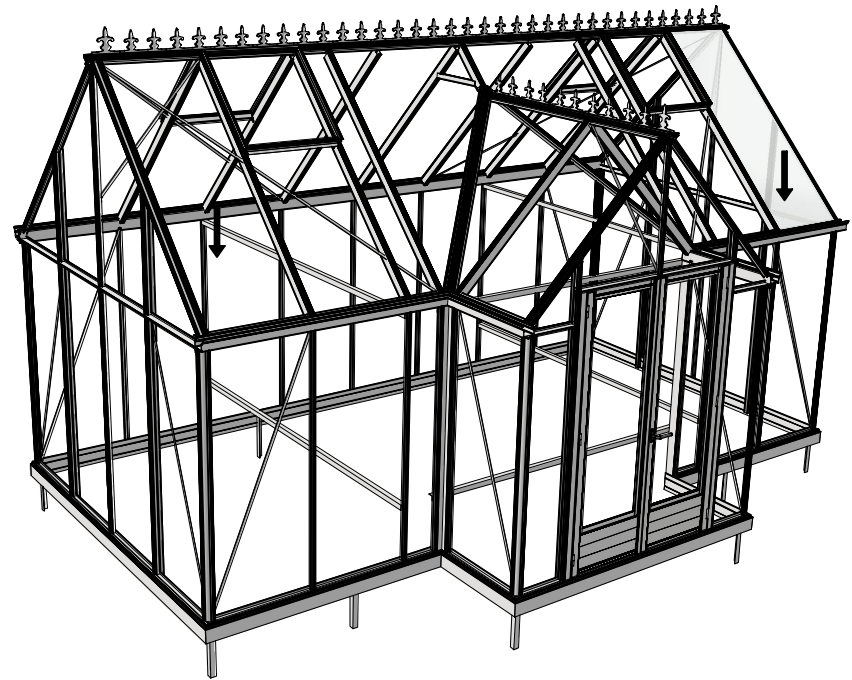
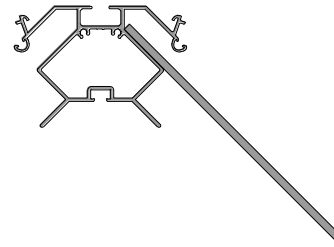
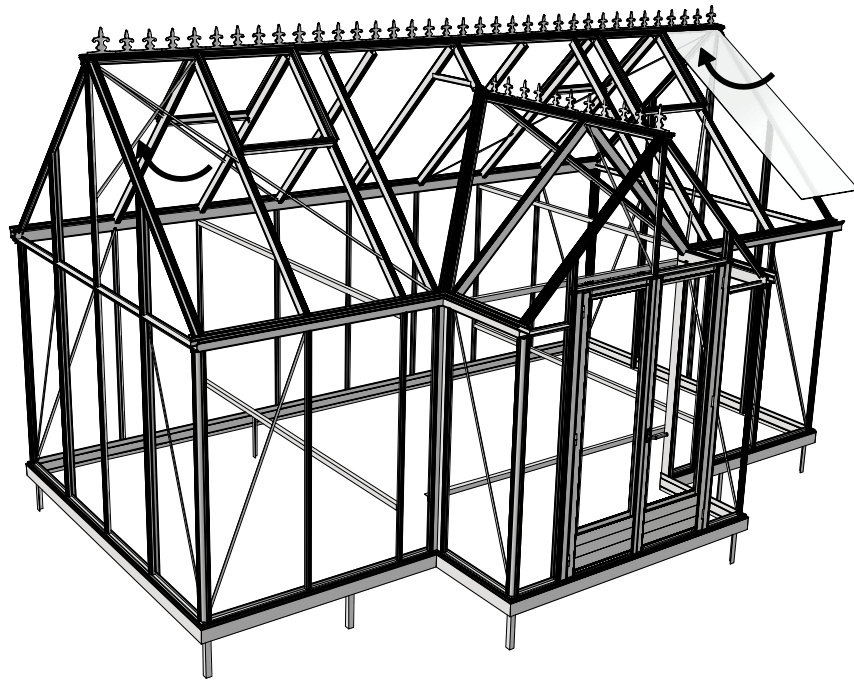
17,32 m²

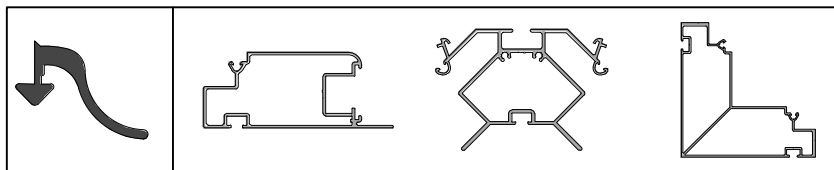
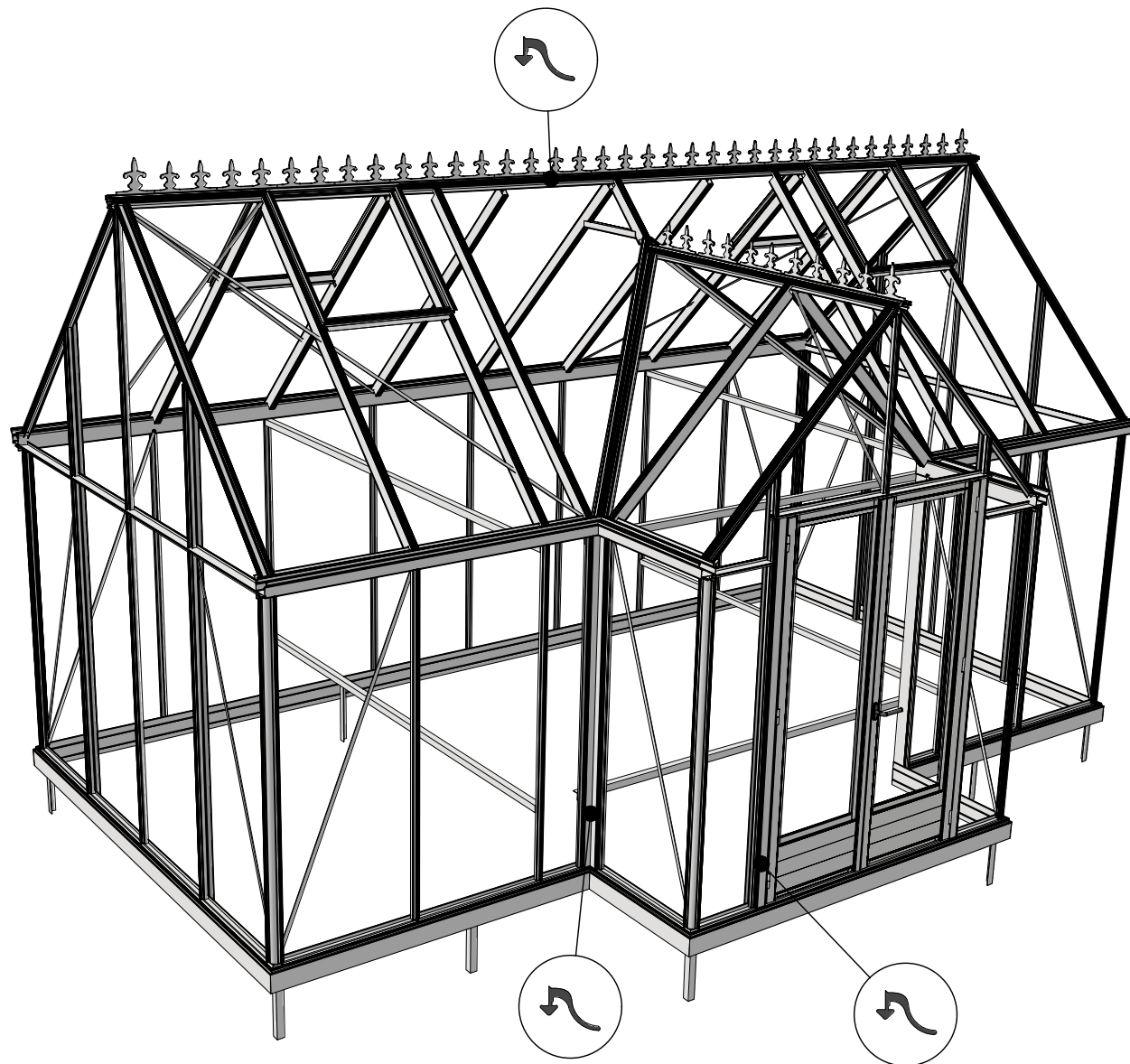


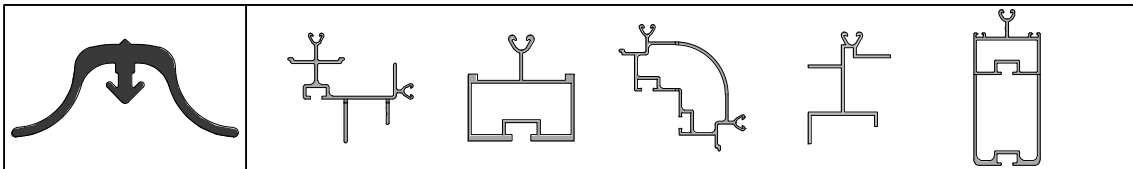
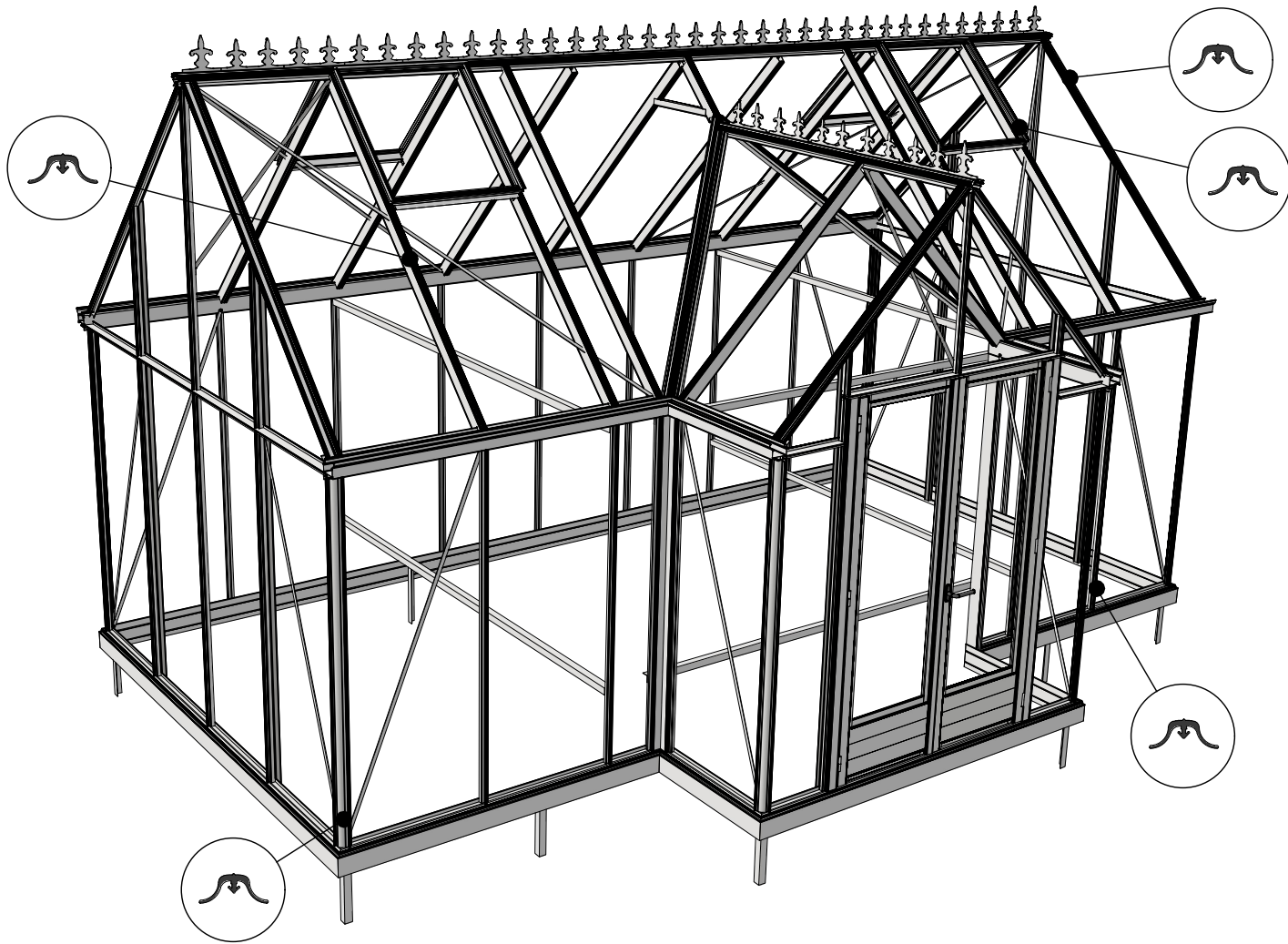
Opgemaakt op 28-10-2022

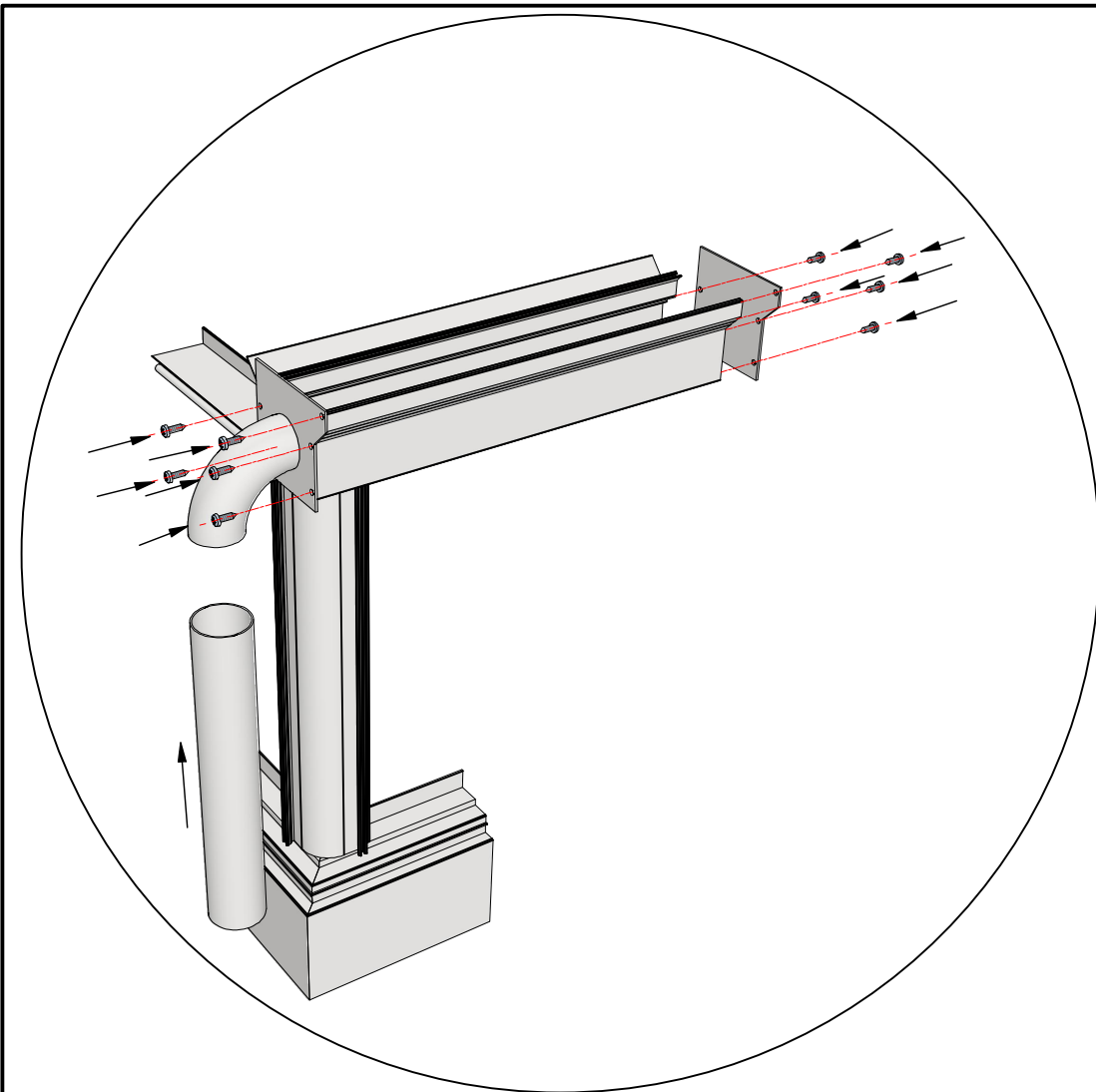




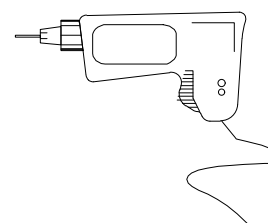


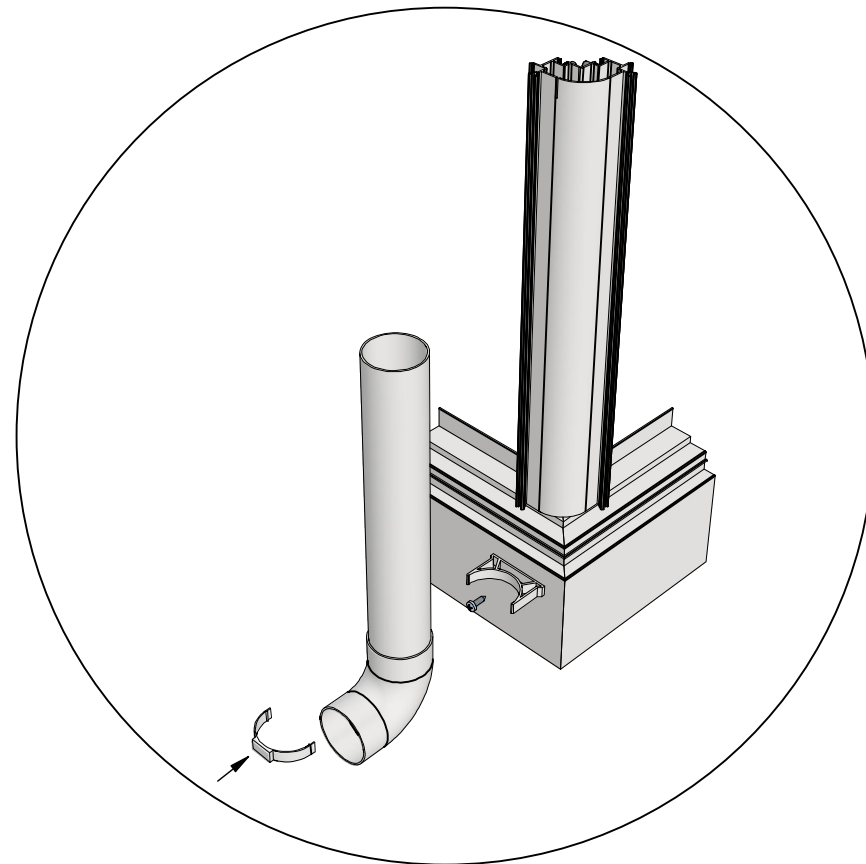






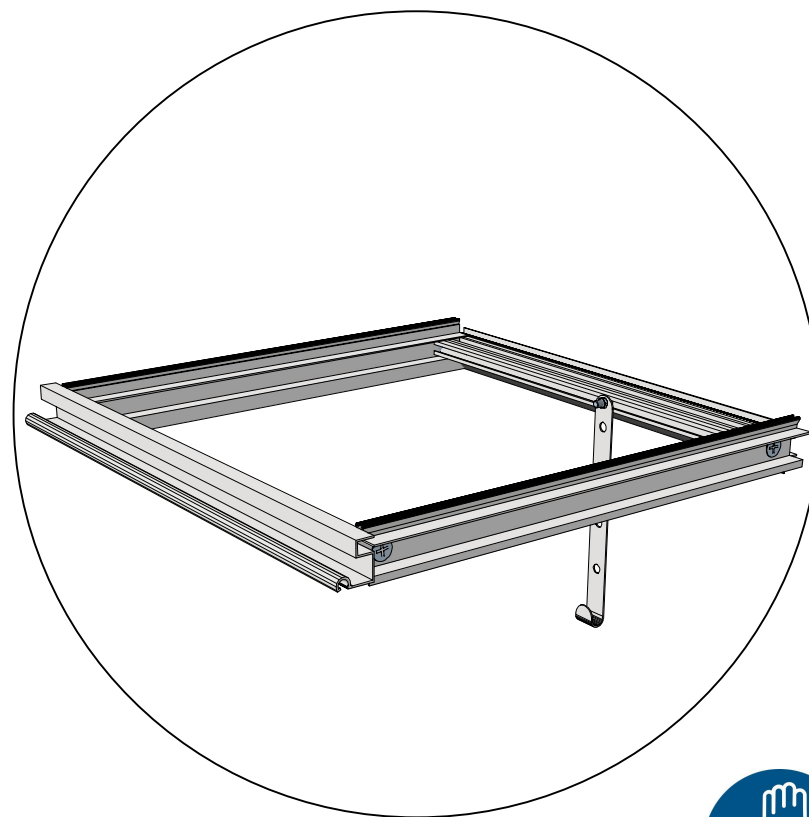
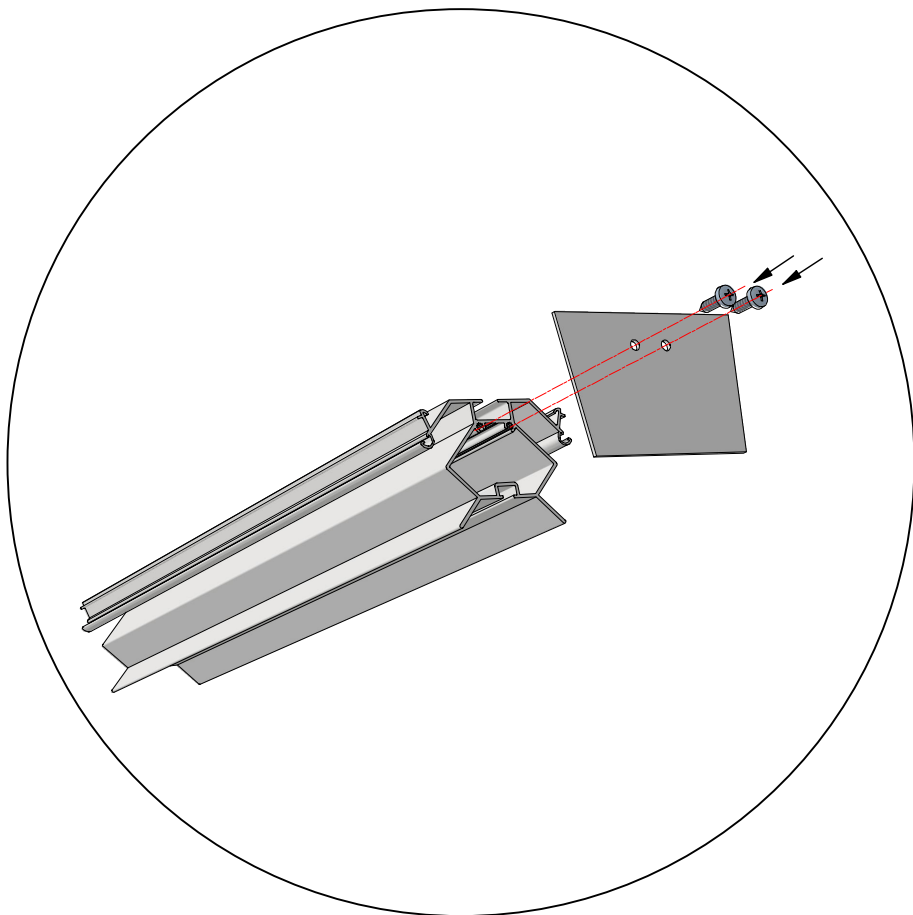
  = 4,8x16

$\varnothing = 4\text{mm}$ 





= 4,8x16





Geleenlaan 1 - 3600 Genk

ref: Victorian-001 Rev. 05.10.2023

OCBS - 1148-CPR-20231003-989 C €

EN 1090-1 EXC 1

Victorian

www.euroserre.com/cecificaten