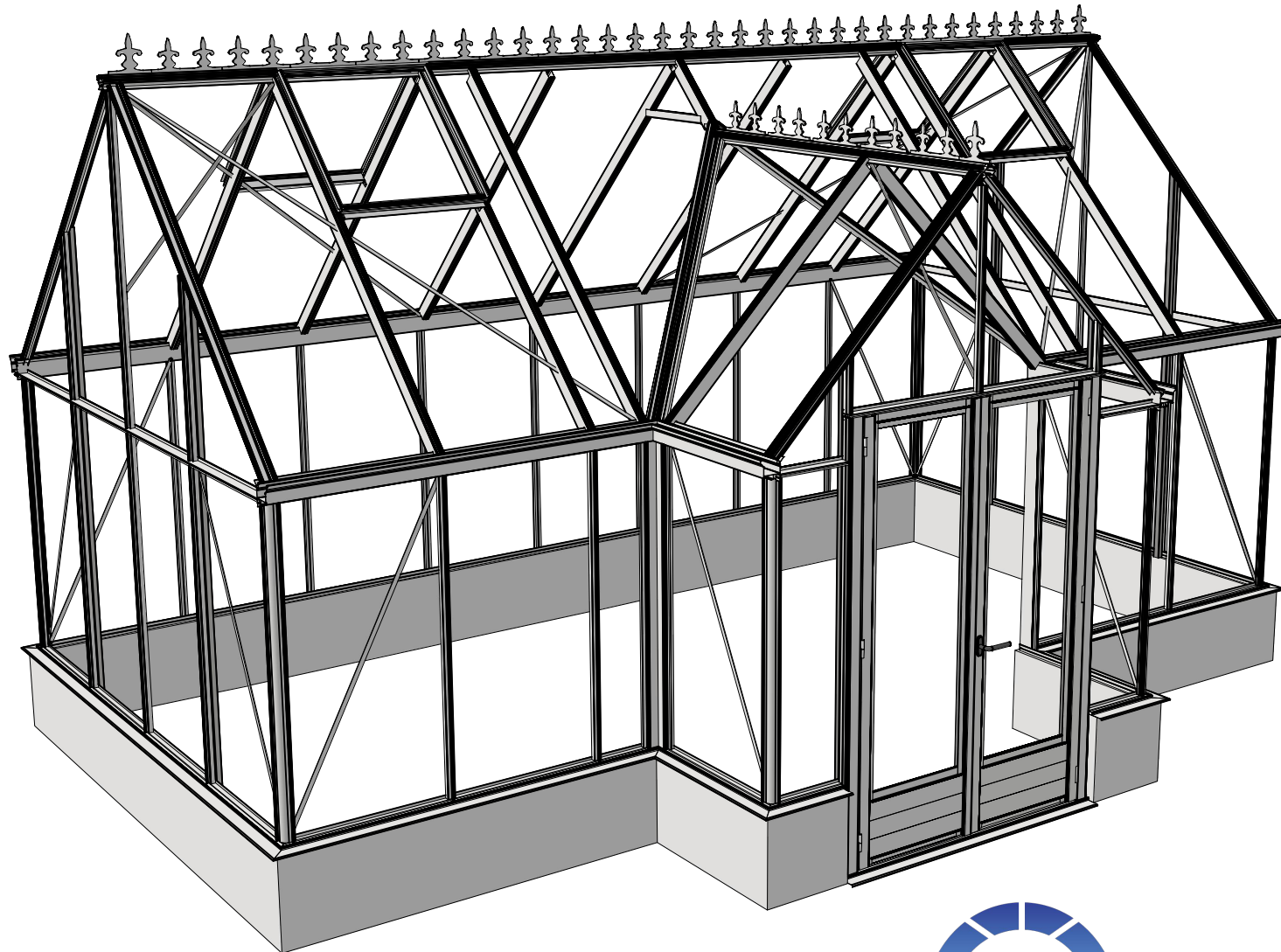
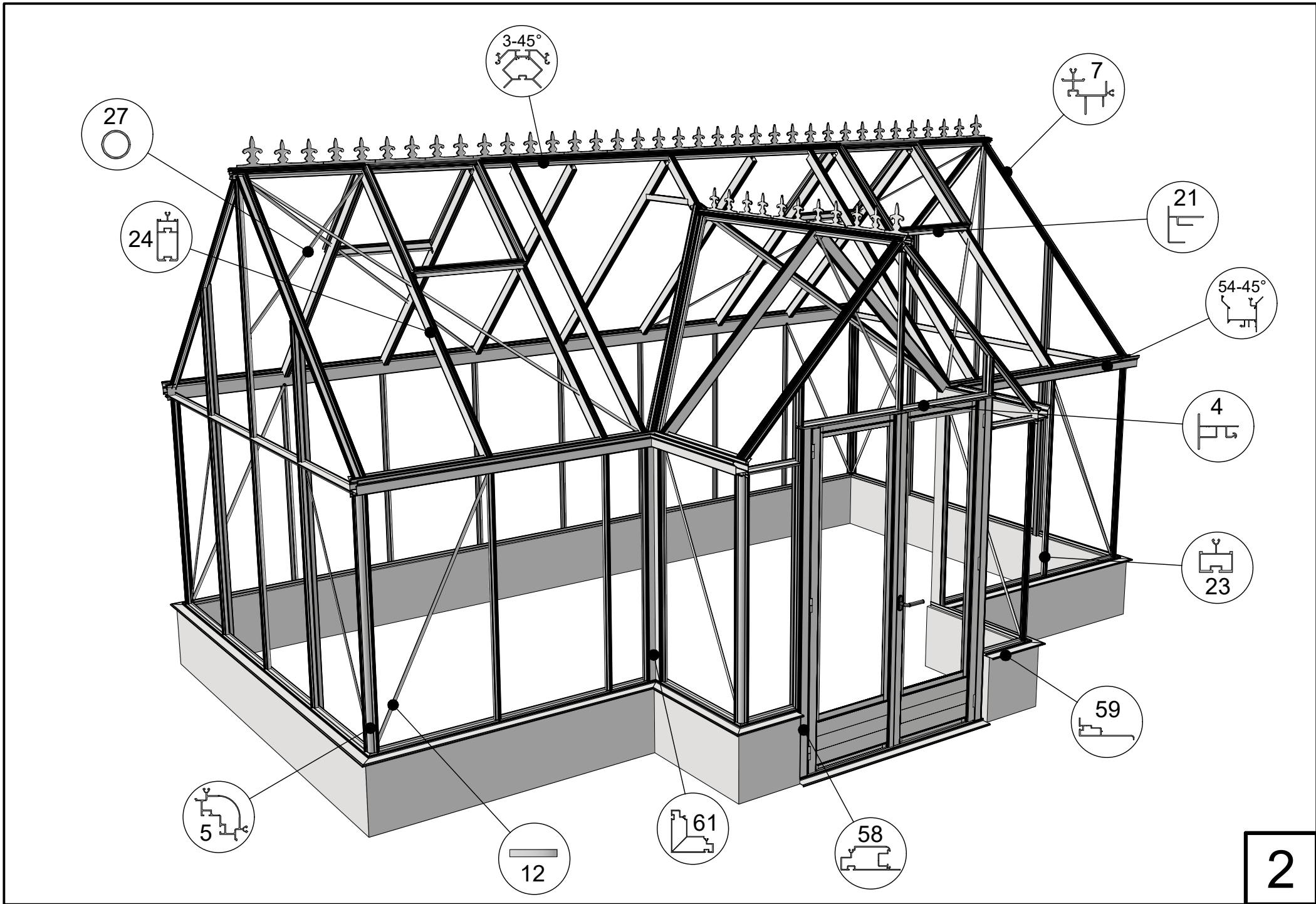


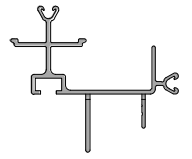
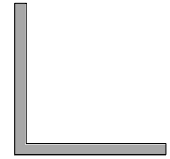
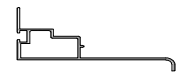
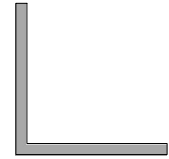
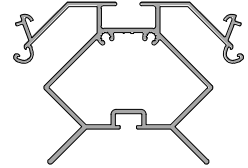
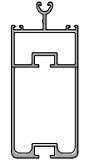

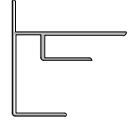
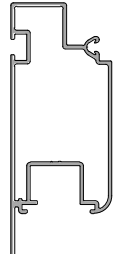

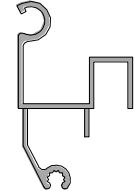
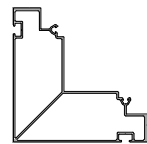
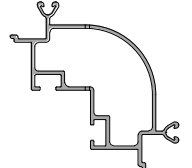
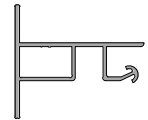
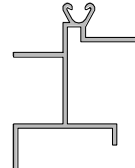
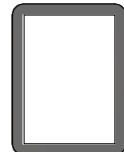
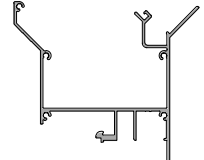
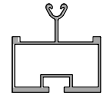
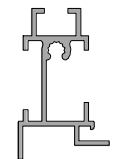
Victorian 2,36 on wall.



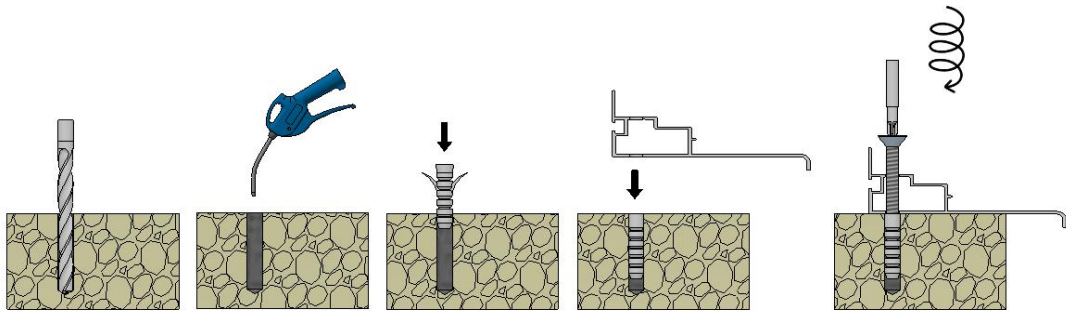
15-11-2023




Profile list

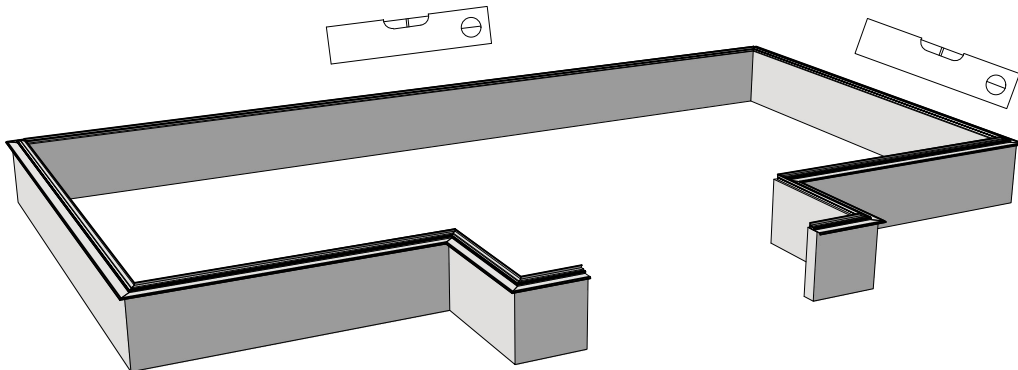
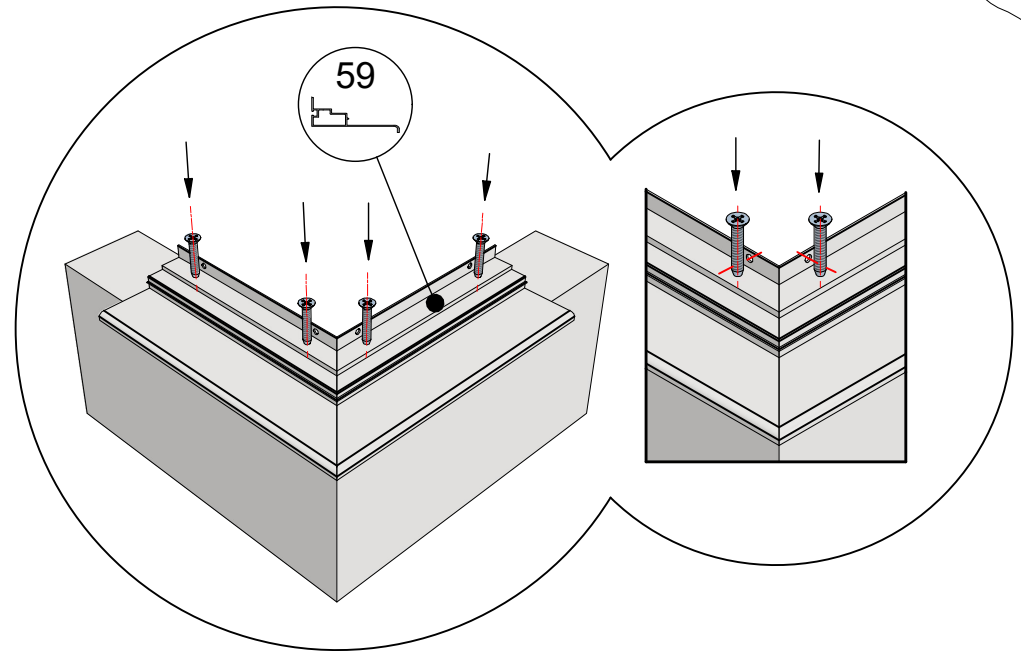
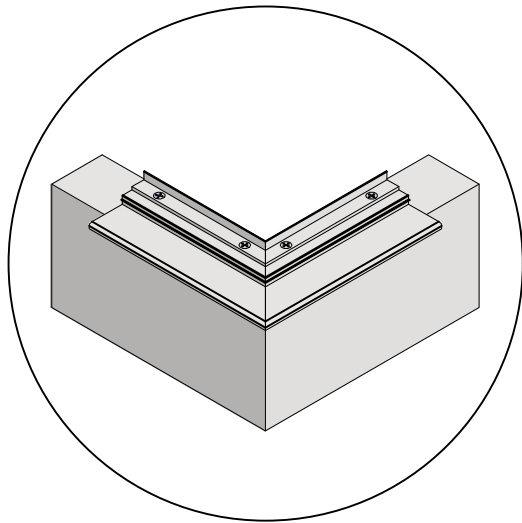
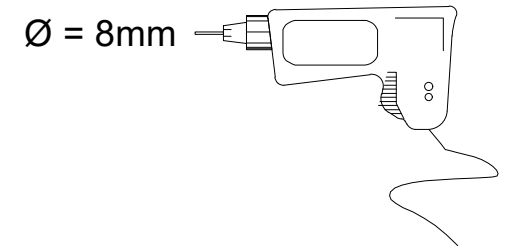
-	NR	Profile NR	-	NR	Profile NR	-	NR	Profile NR	-	NR	Profile NR
	7	7151		17	L40/40/2		1	17538		9	L15/15/2
	3-45°	15732		24	10968		12	7070		21	29577
	58	12960		27	B 18		18	17542		61	13994
	5	17548		4	17549		19	17543			K30/40
	54-45°	17540		23	17703		20T	28513			

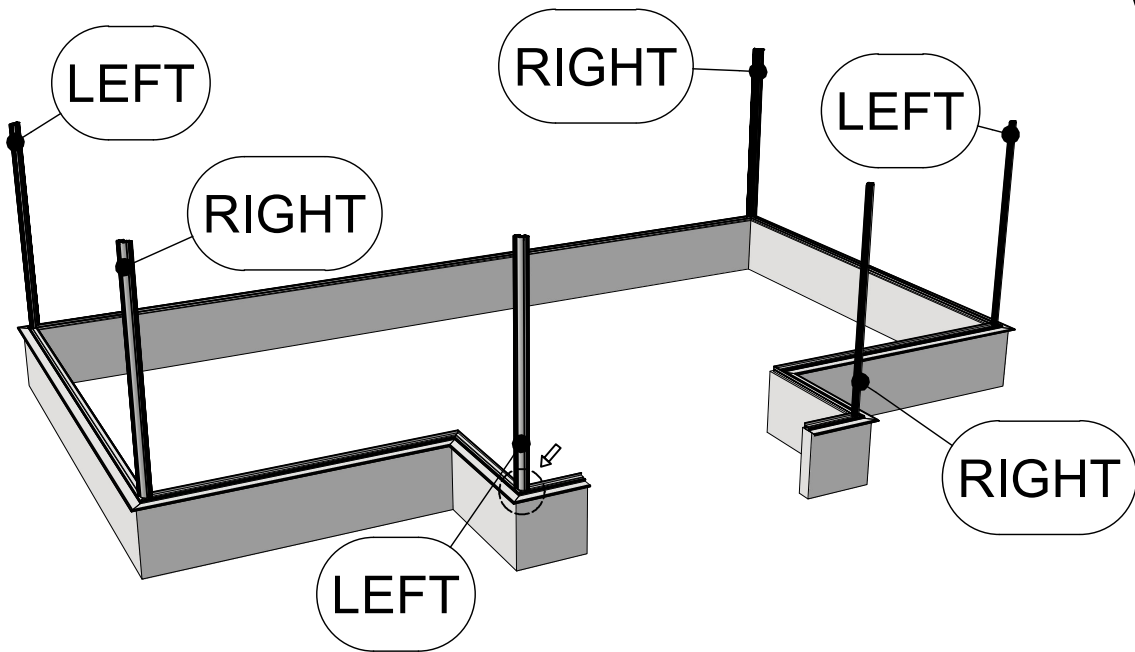
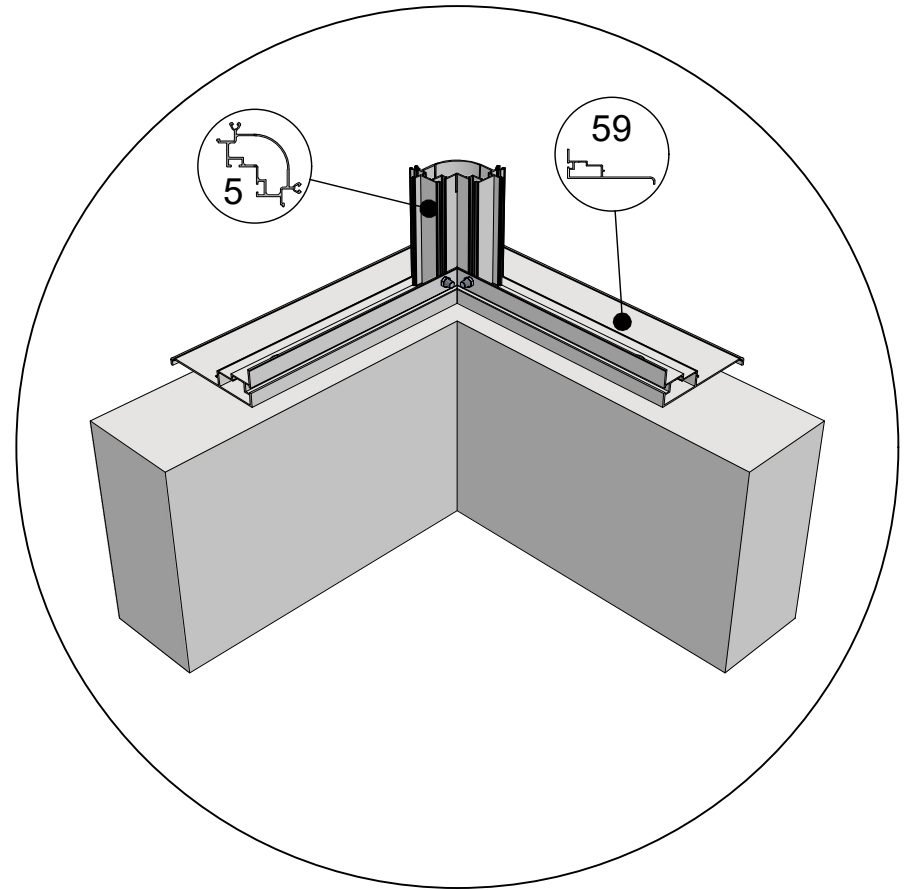
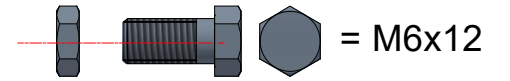
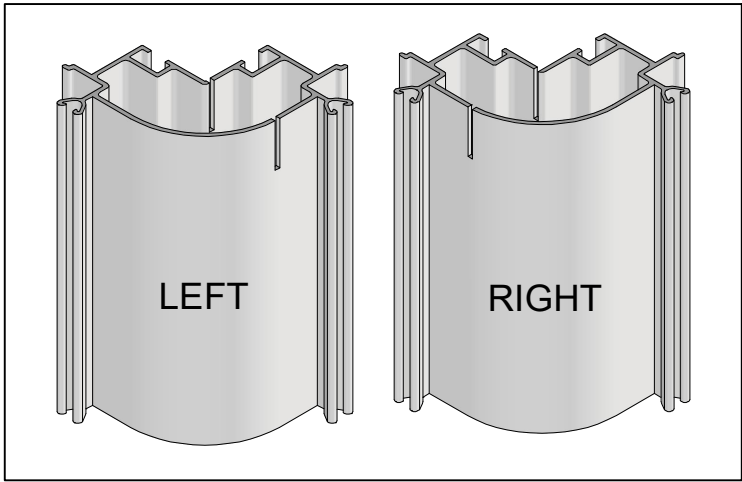
- Attention! Check inside the foundation for more profiles.
- Please fasten screws and nuts hand-tight.
- Achtung! Prüfen sie das fundament für weitere profile.
- Schraube und Mutter bitte handfest festziehen.
- Opgelet! kijk in de fundering voor andere profielen.
- Bout en moer a.u.b. handvast aandraaien.
- Attention! Regarde à l'intérieur du fondation pour plussier profils.
- Serrez les écrous et vis à la main s.v.p.
- Observera at en del profiler ligger i sockelprofilen!!
- Dra åt skruven och muttern handfast.




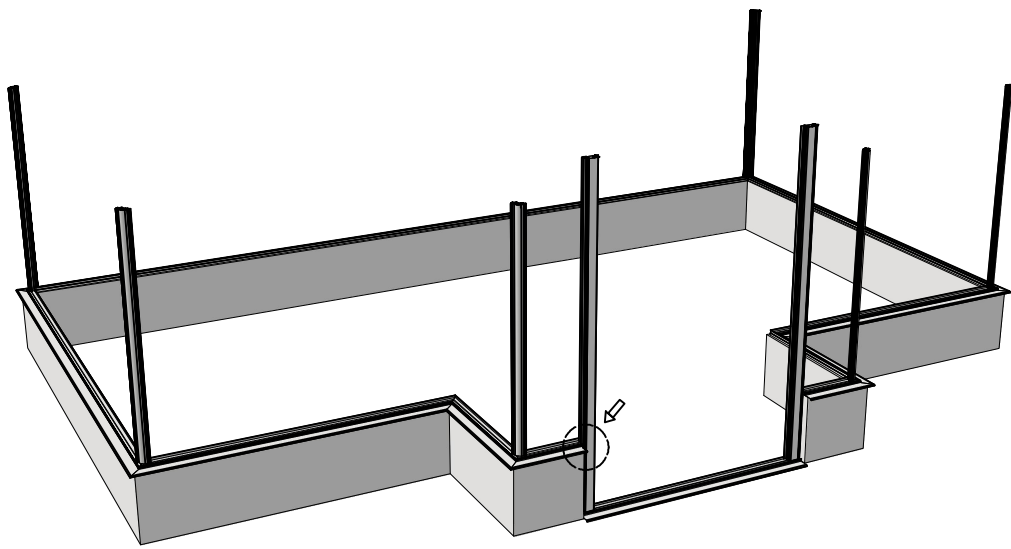
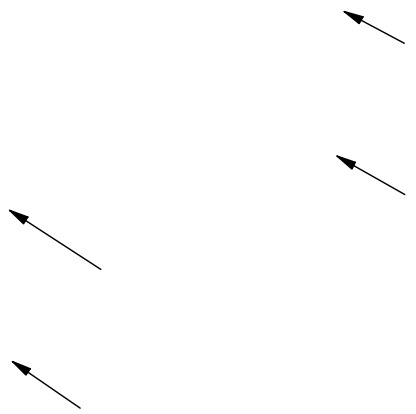
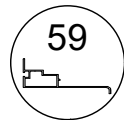
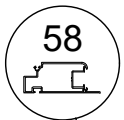
 = 8x40


  = 6x120

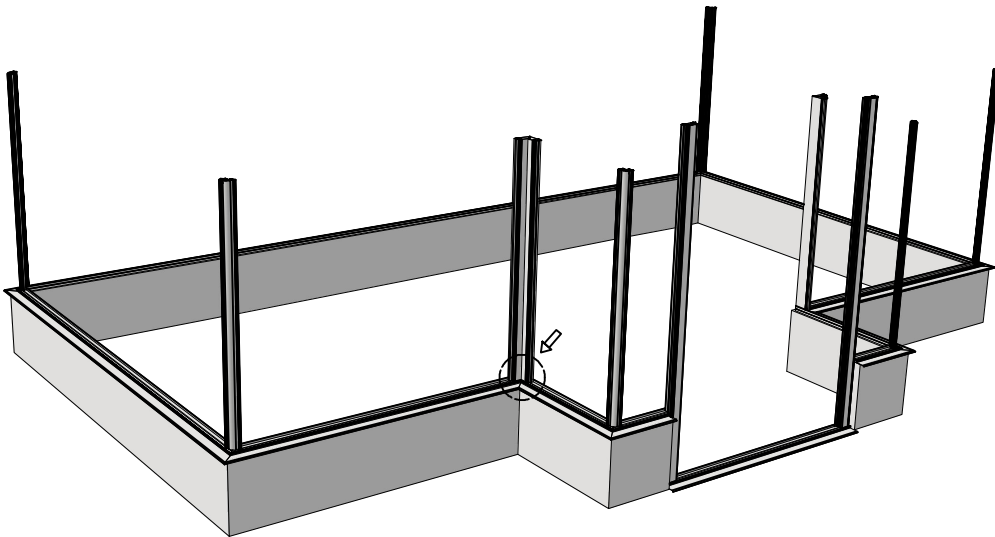
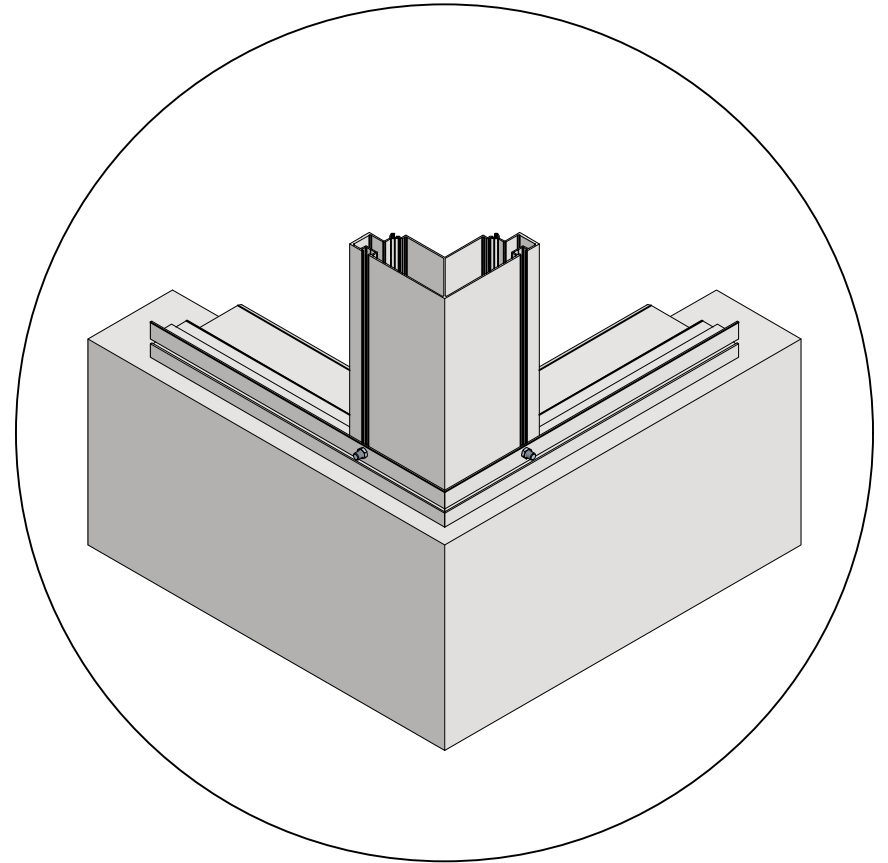
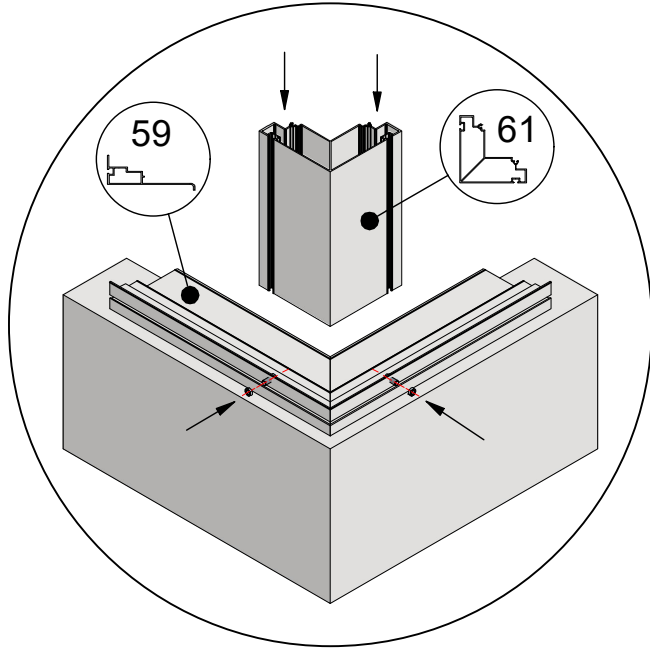





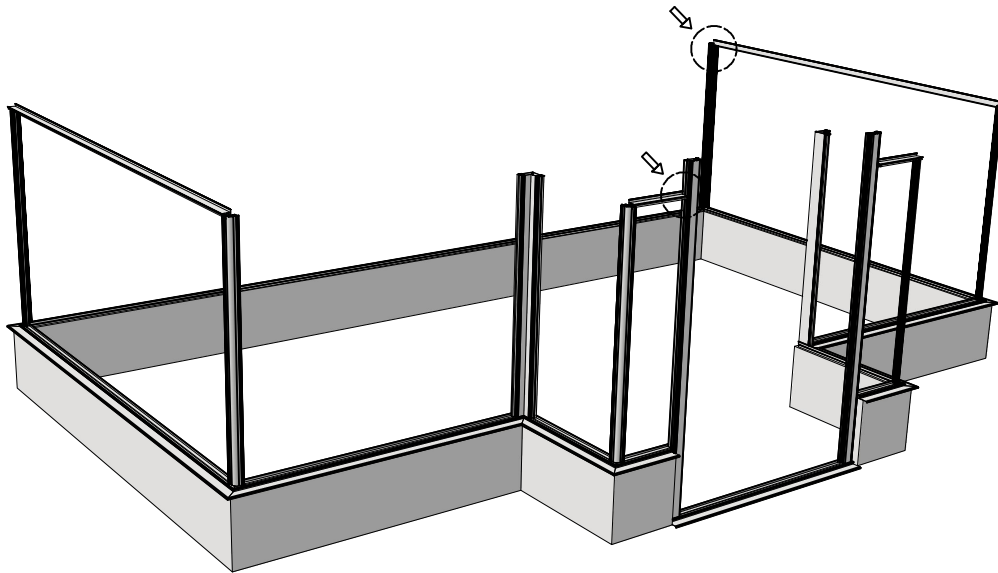
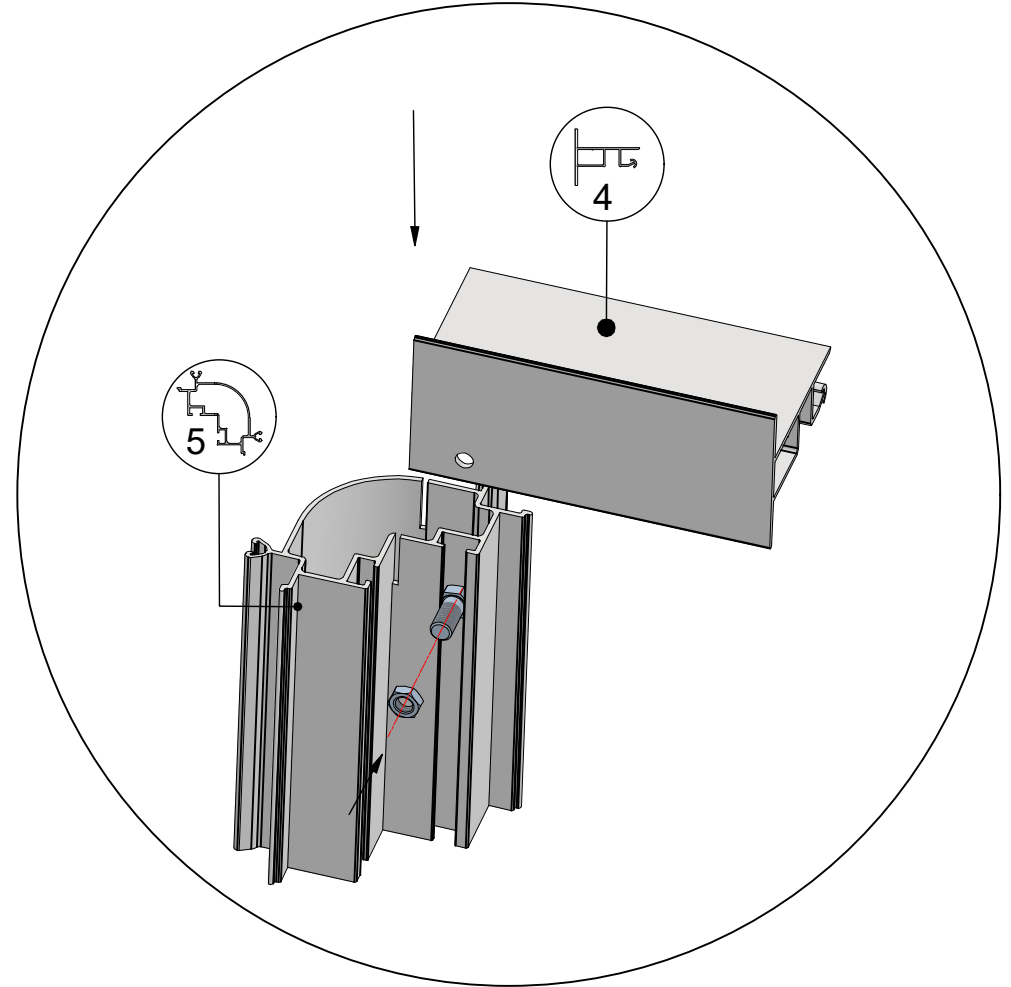
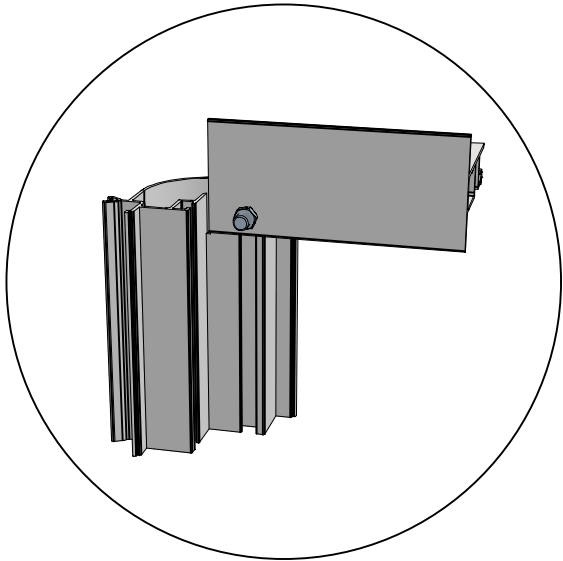
 = M6x12




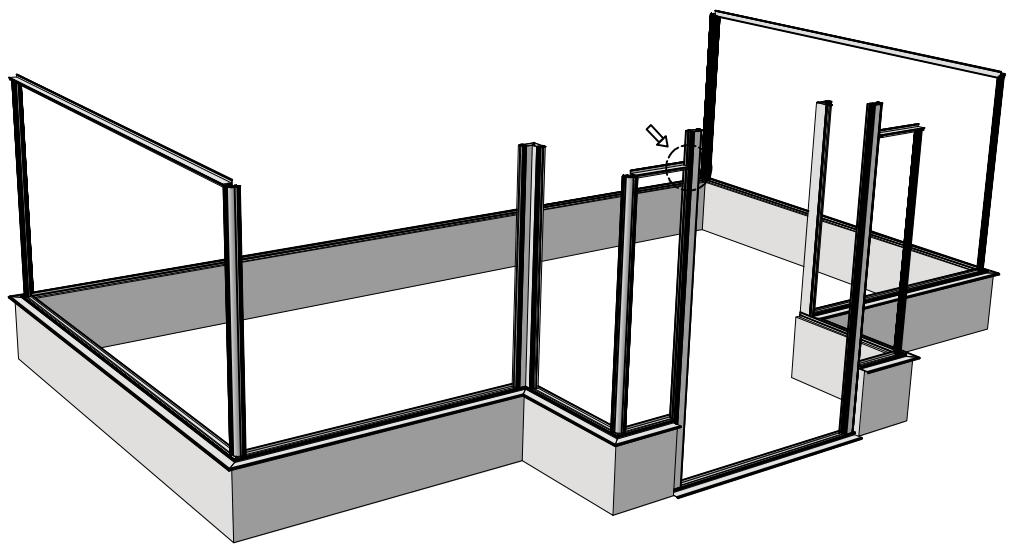
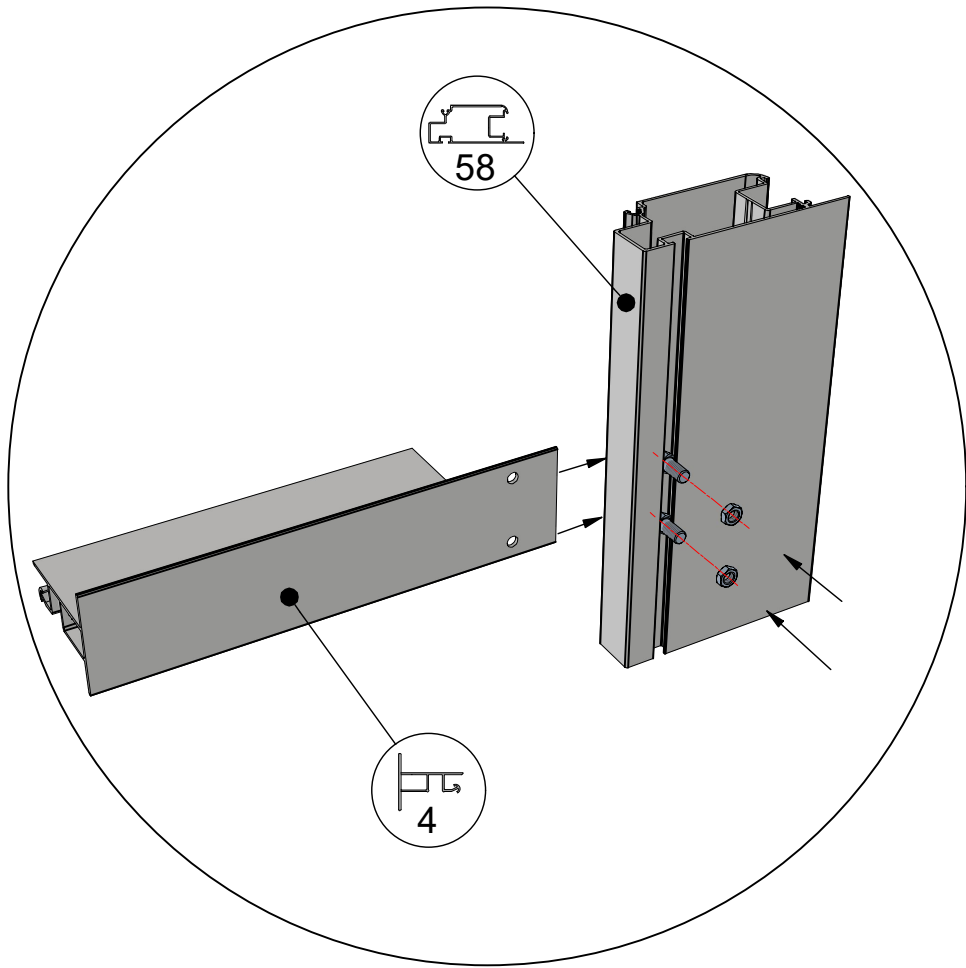
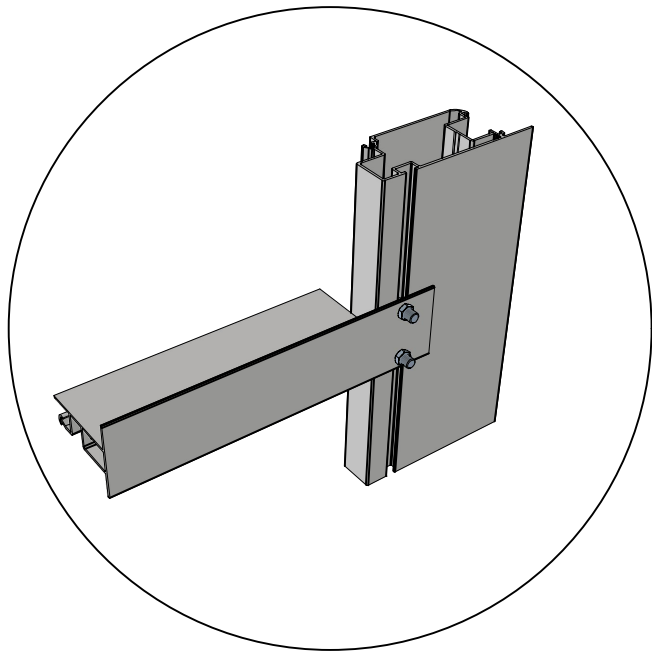
 = M6x12



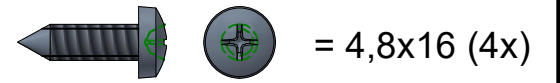
 = M6x12



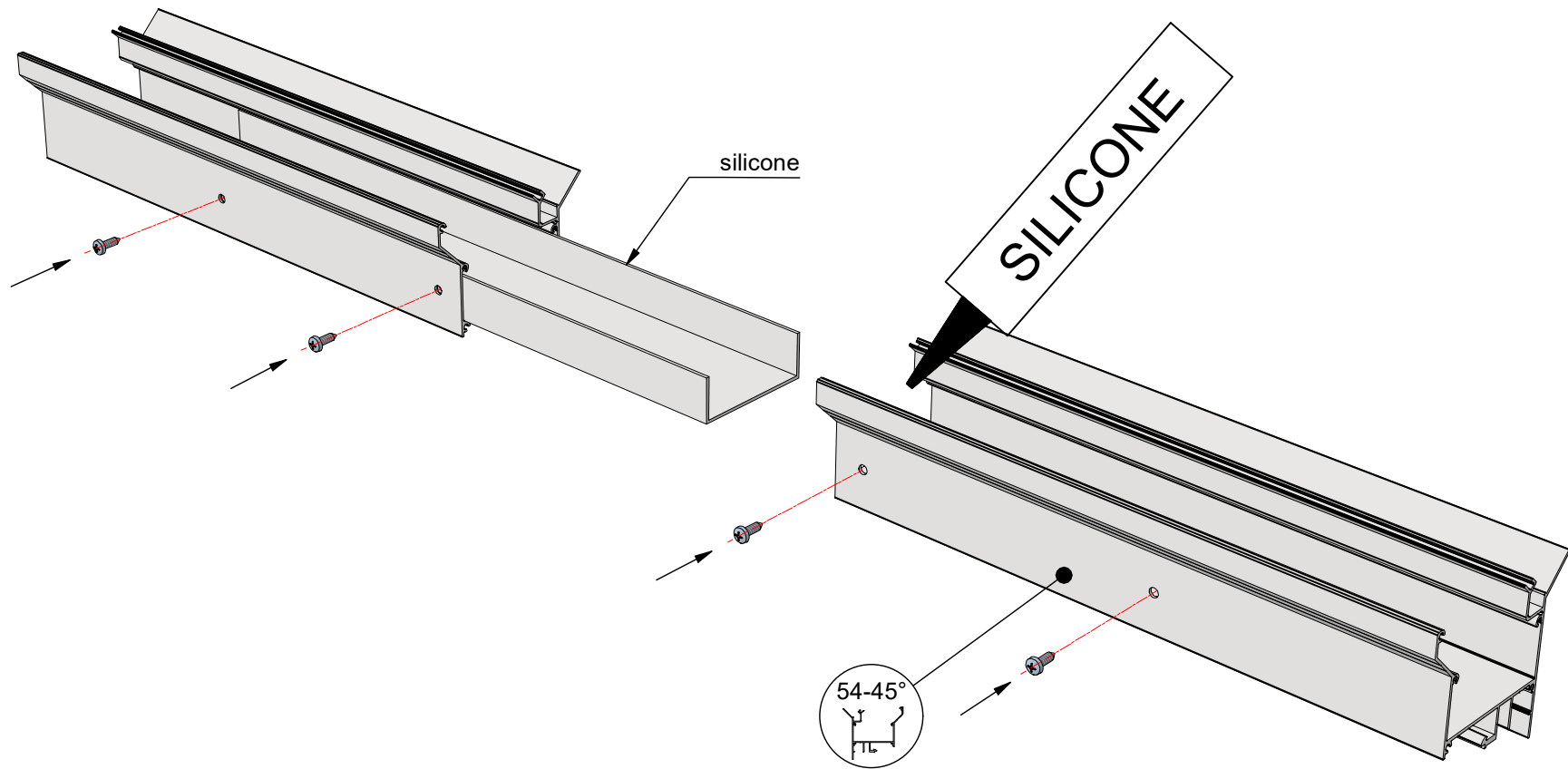
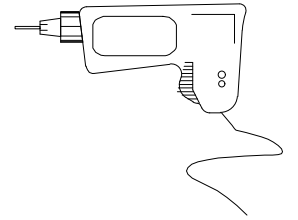
 = M6x12




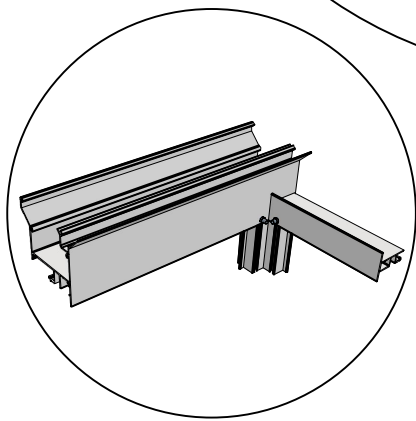
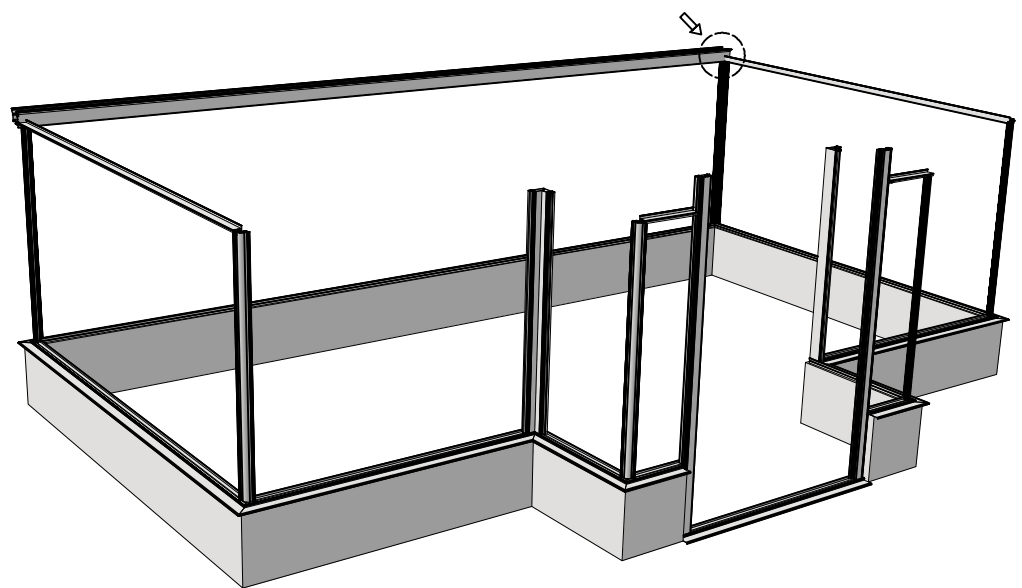
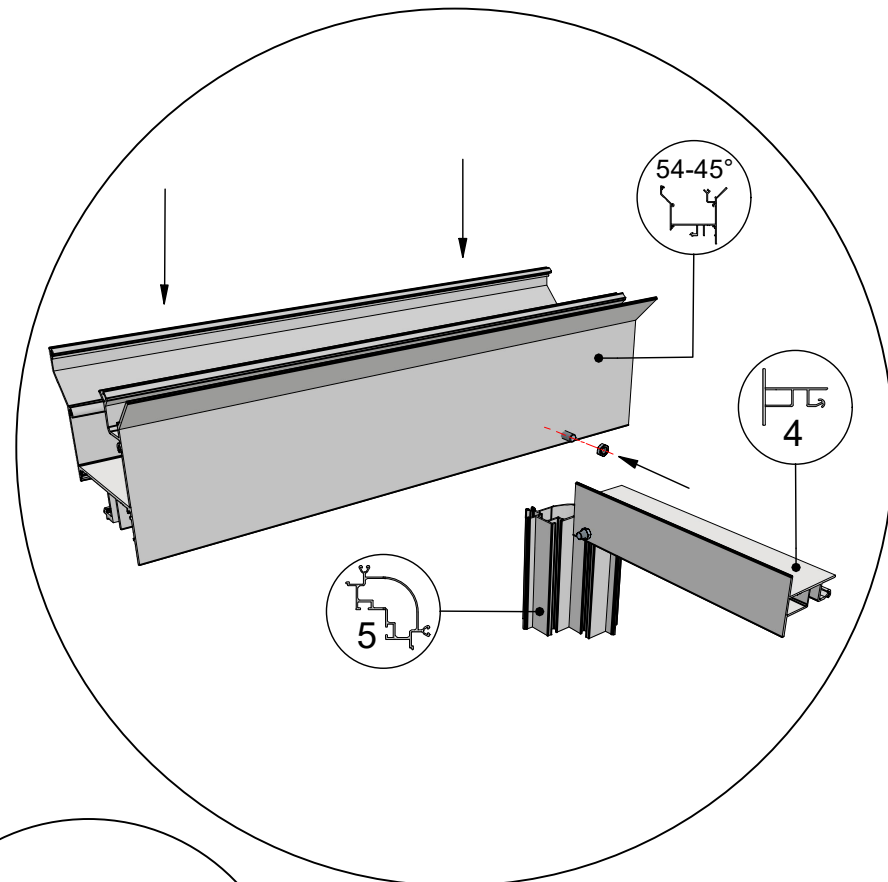
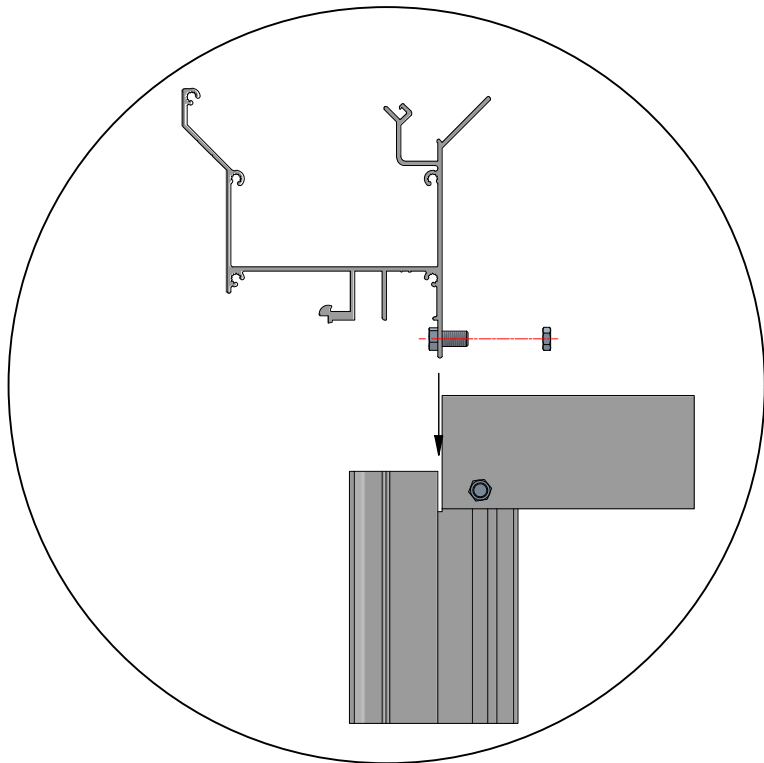
Victorian > 7,53 + 9,04

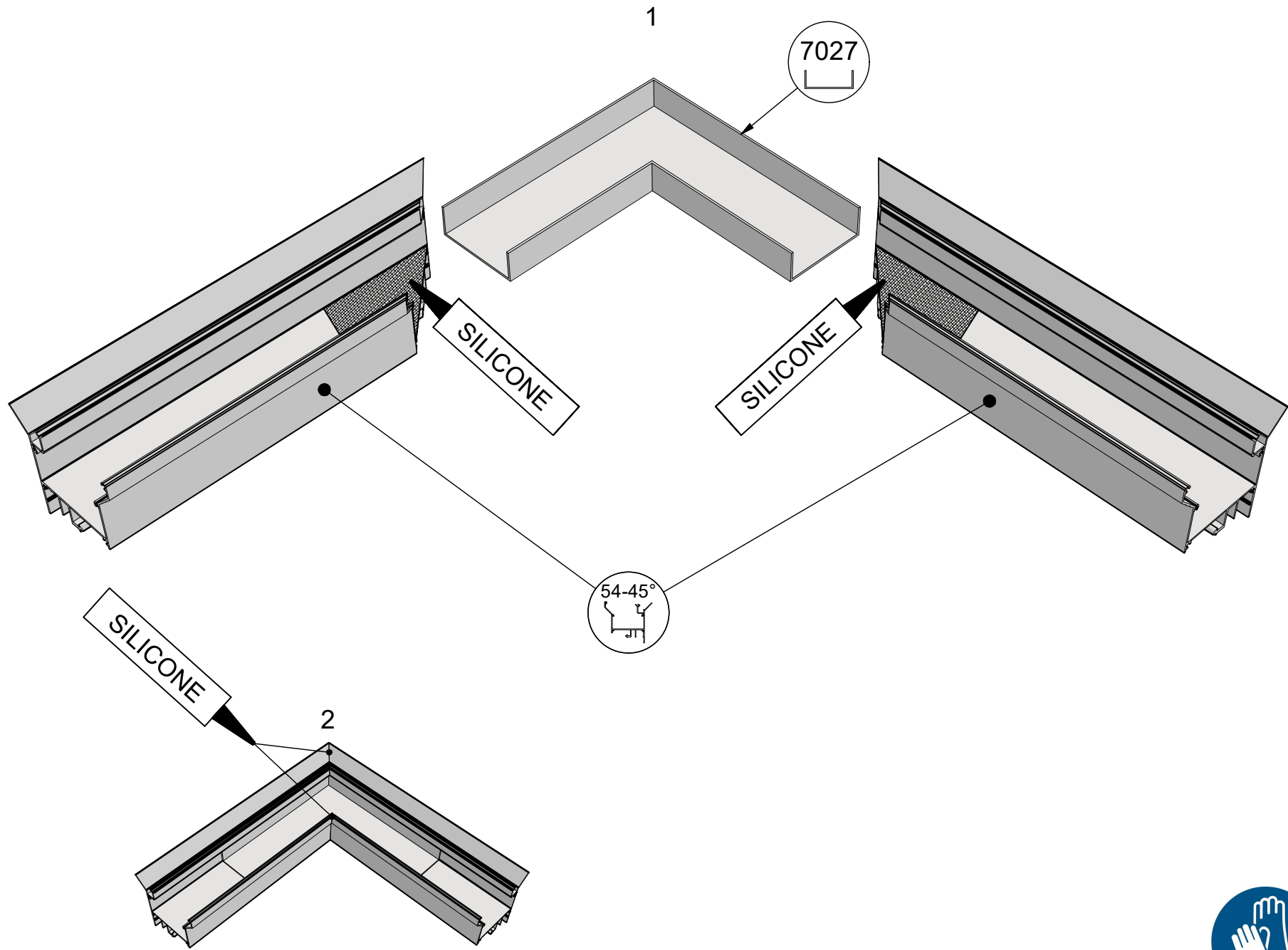



Ø = 4mm

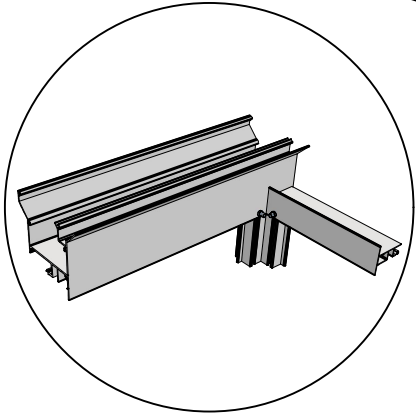
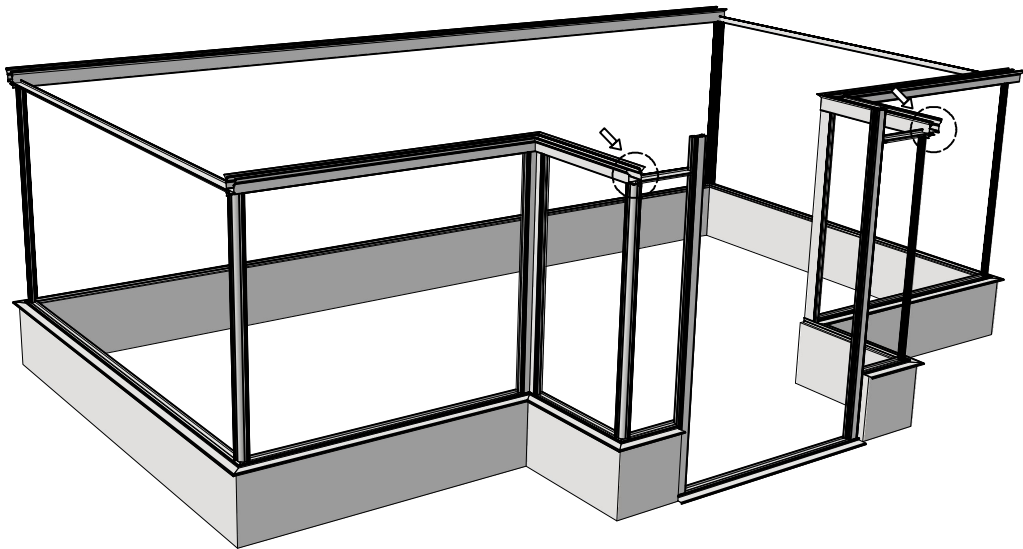
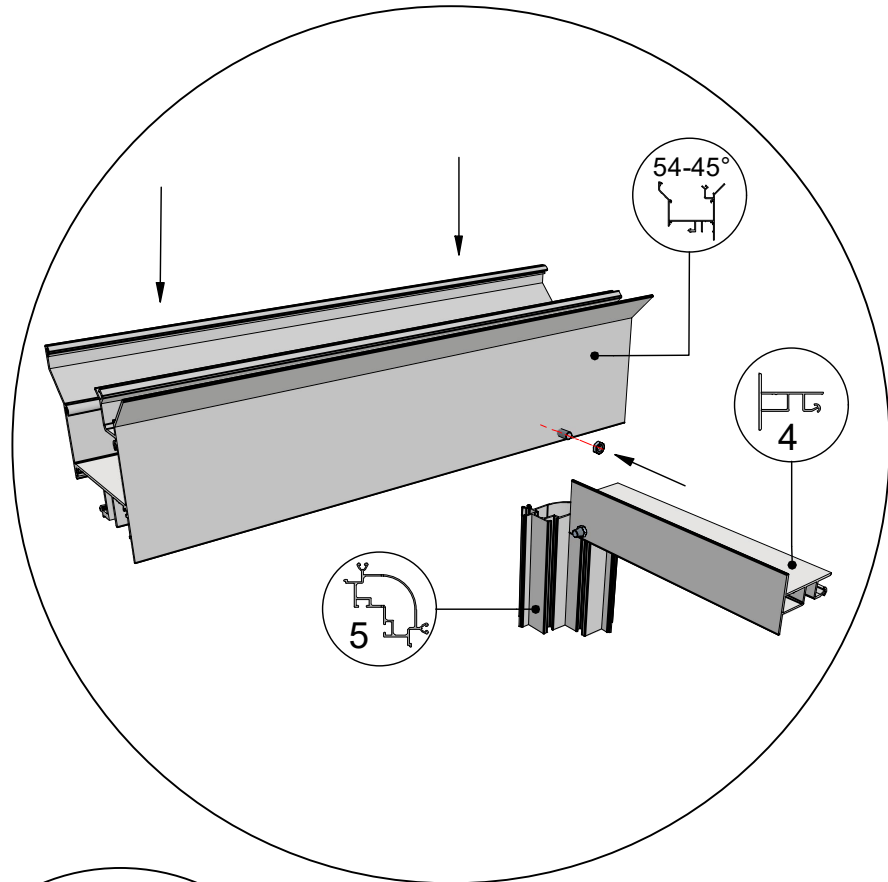
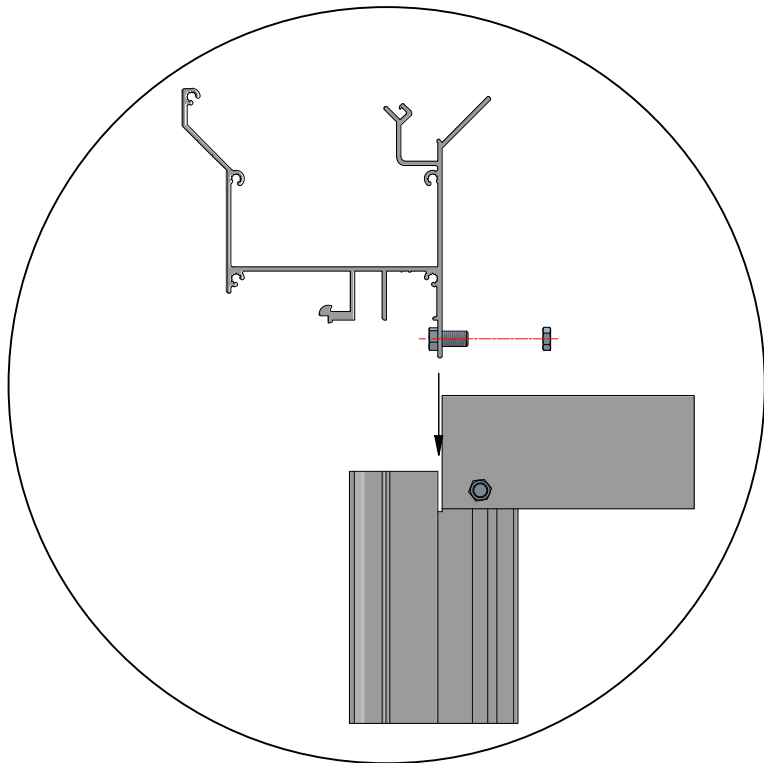



 = M6x12

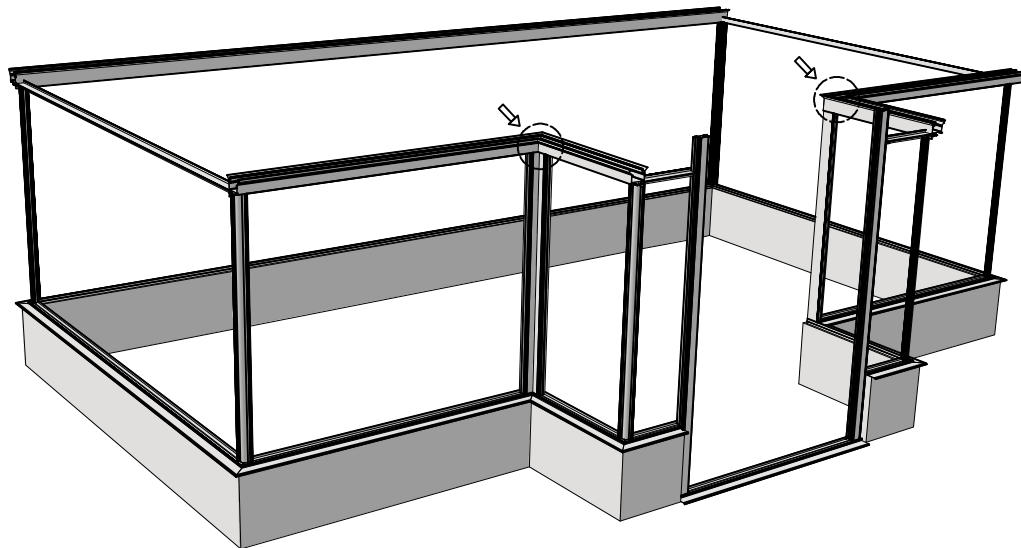
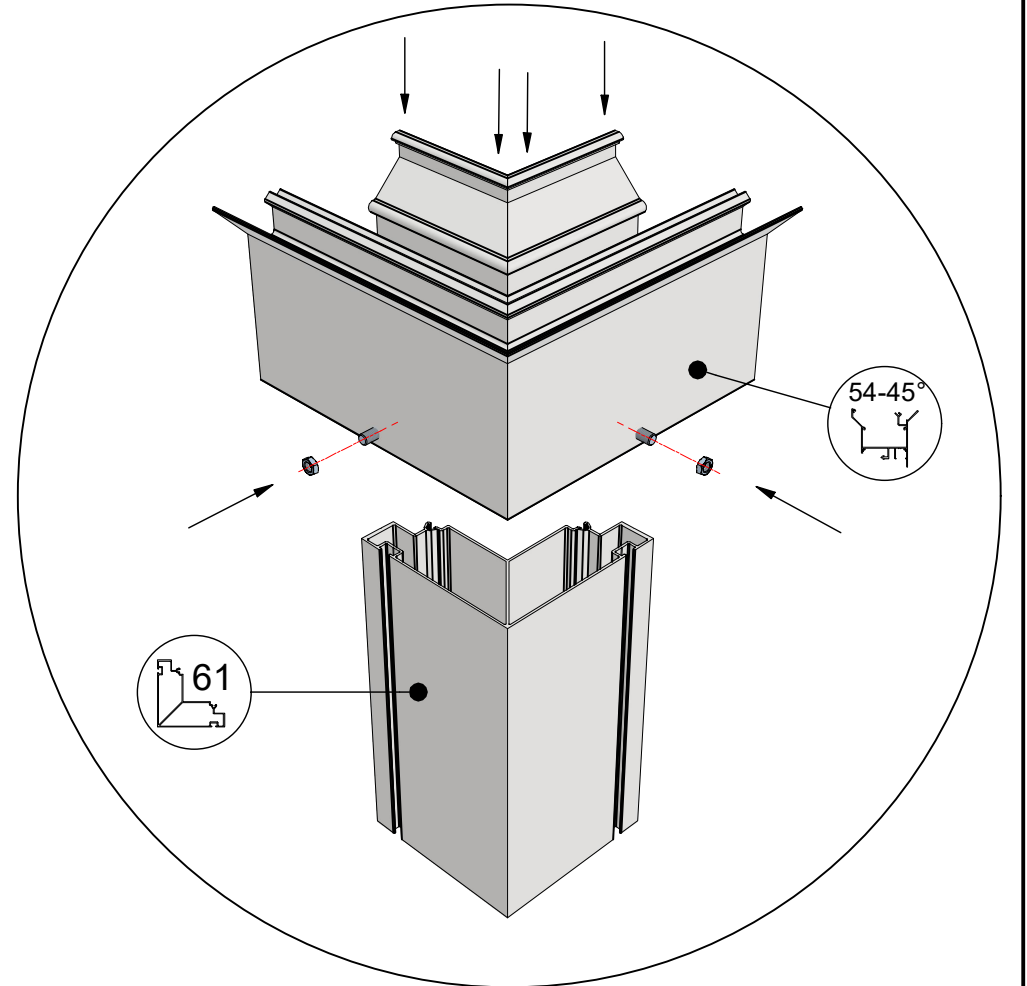
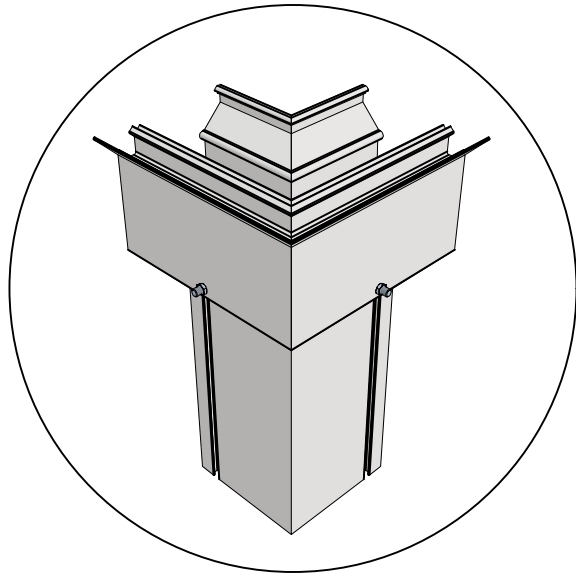





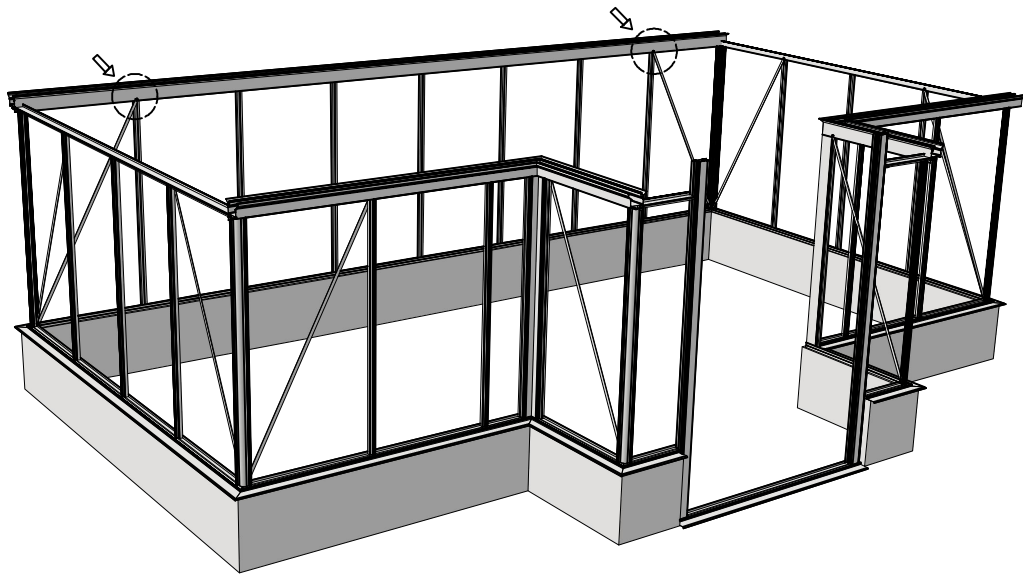
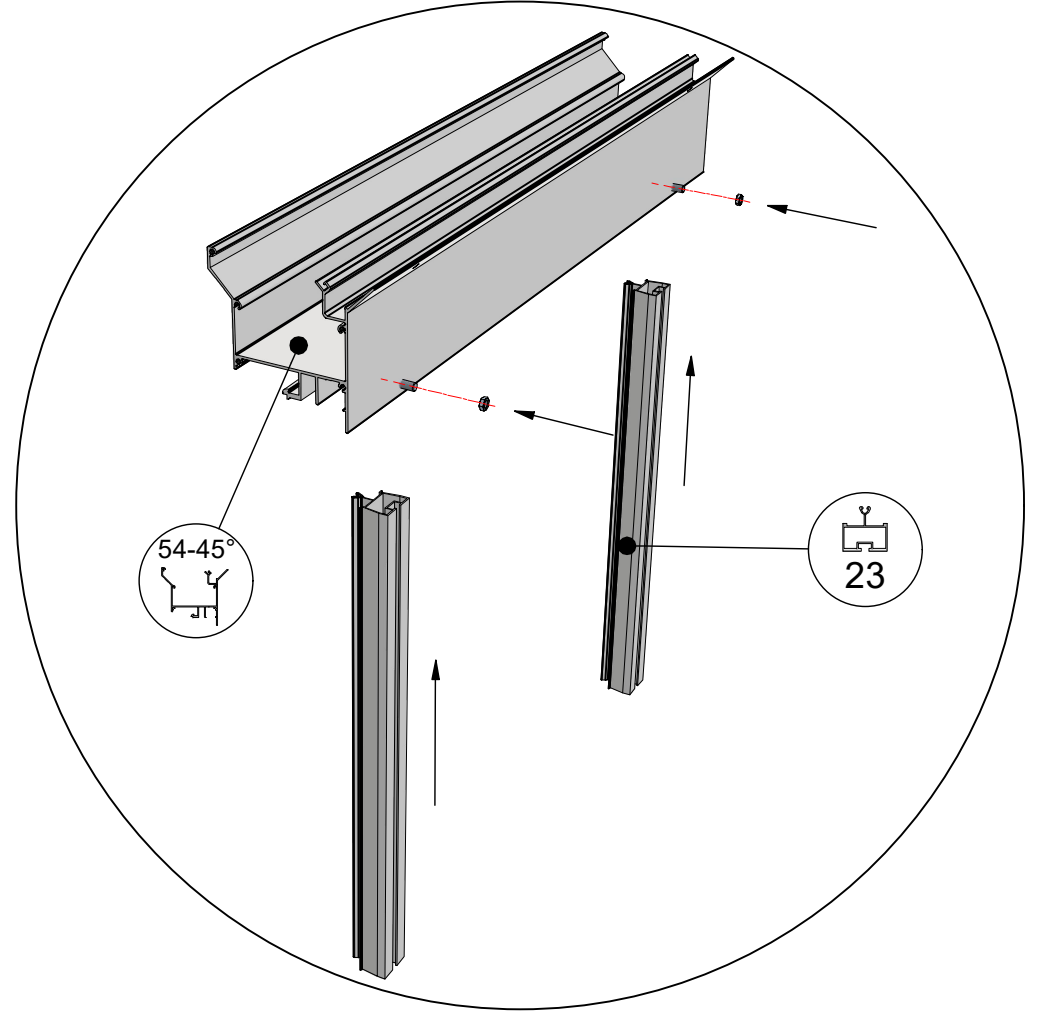
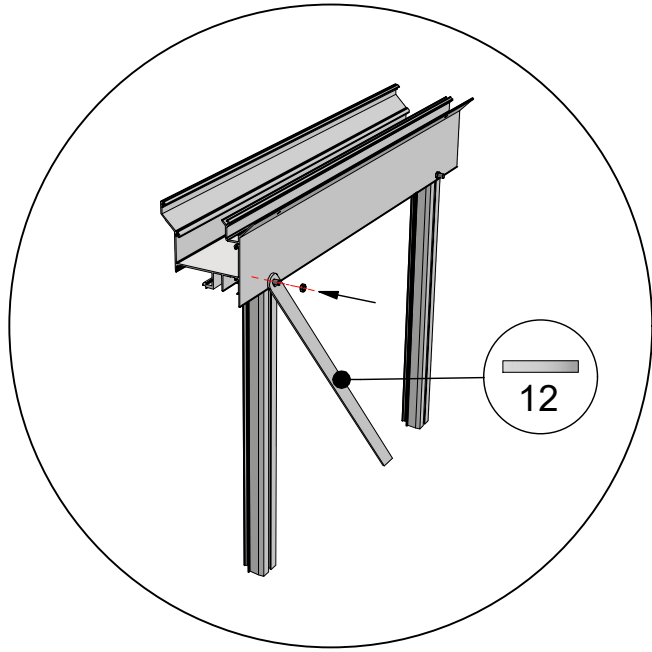
 = M6x12

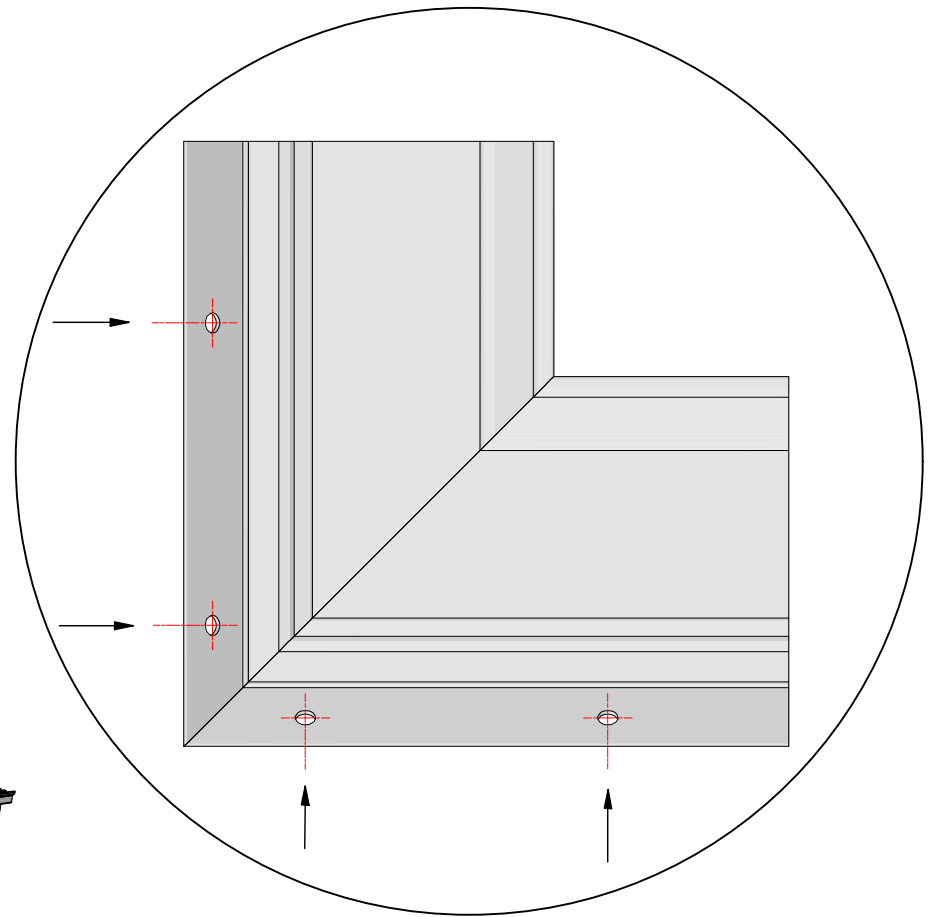
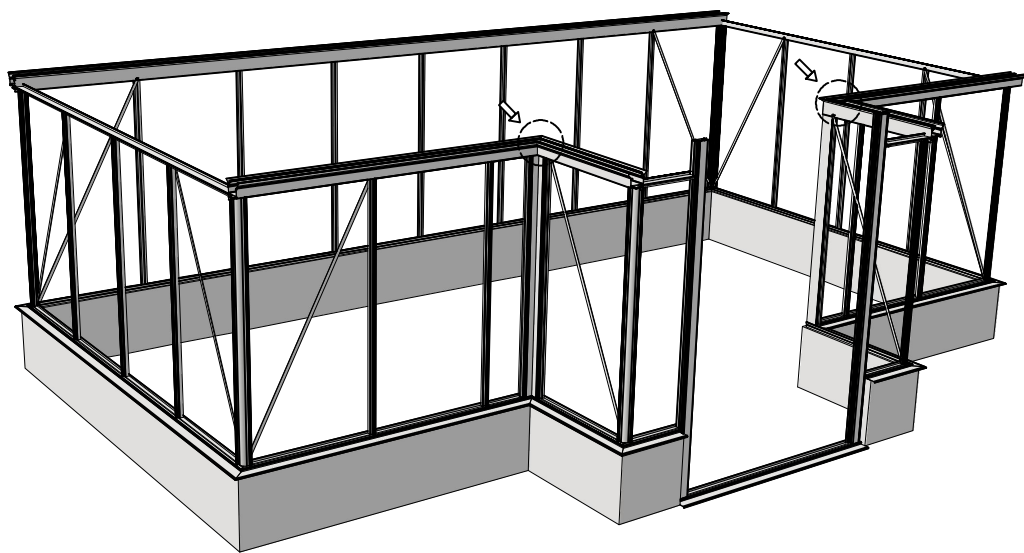


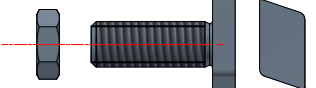
 = M6x12

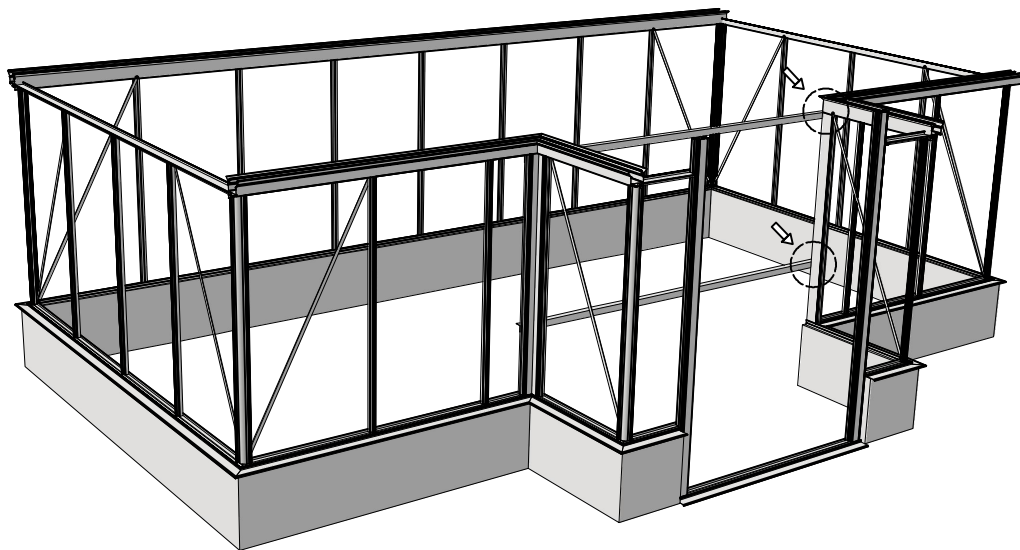
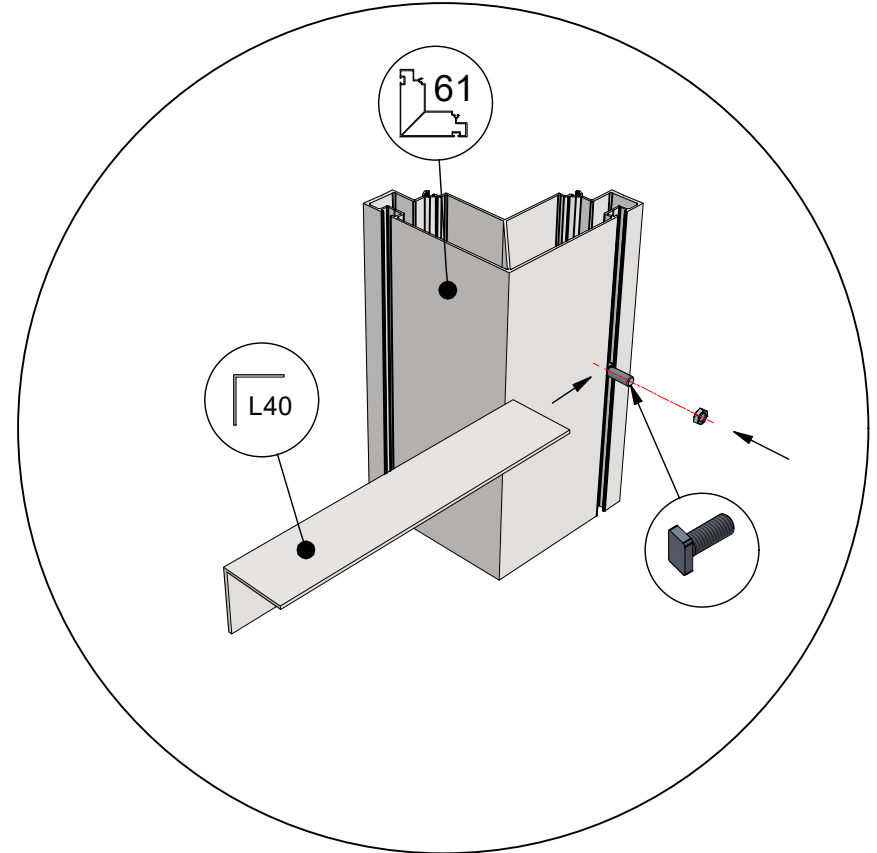
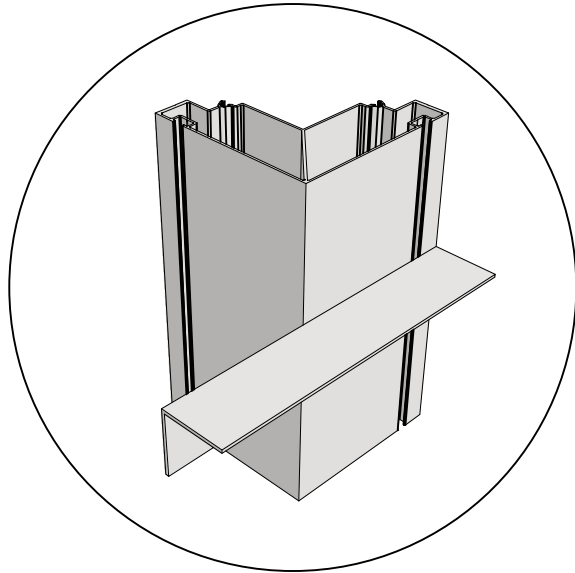


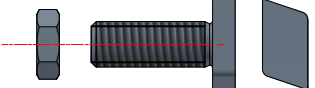
 = M6x12

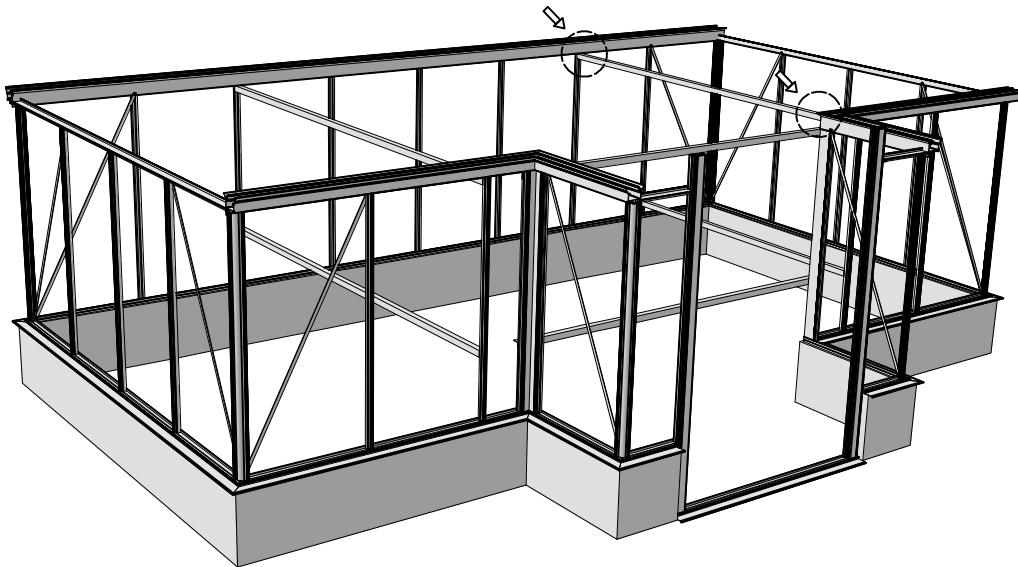
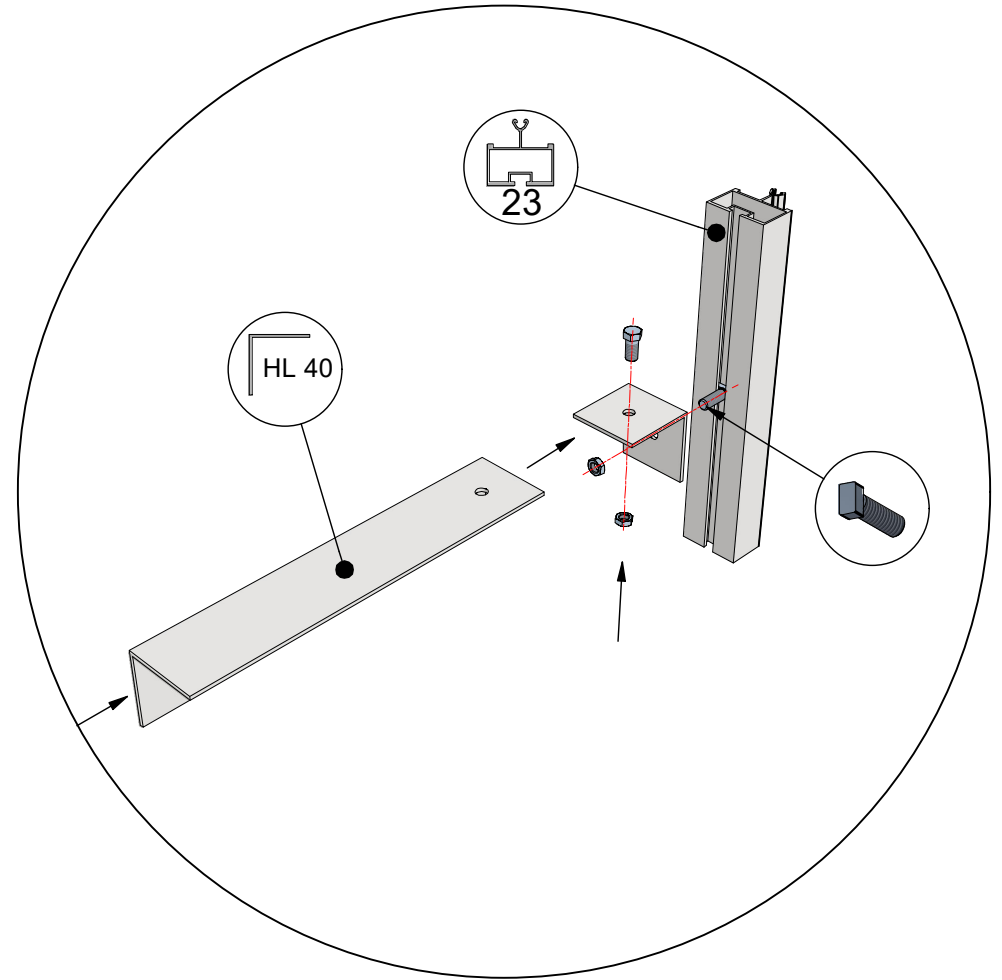
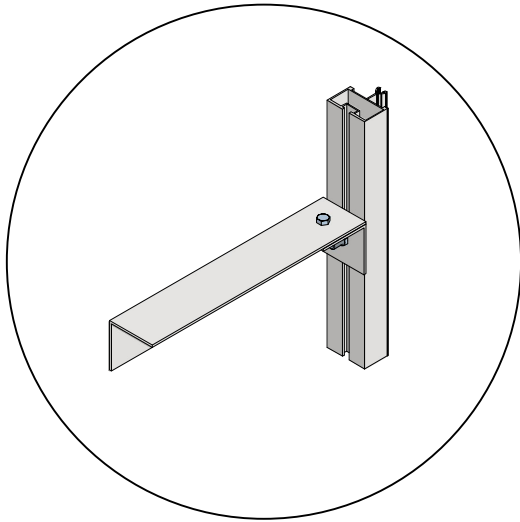





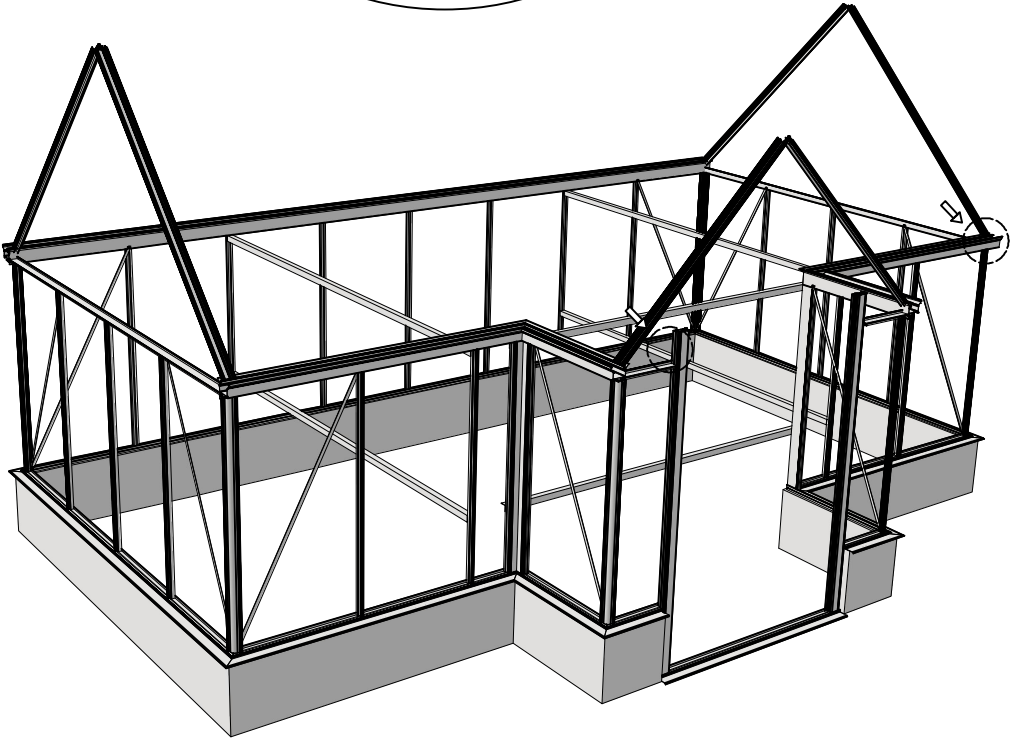
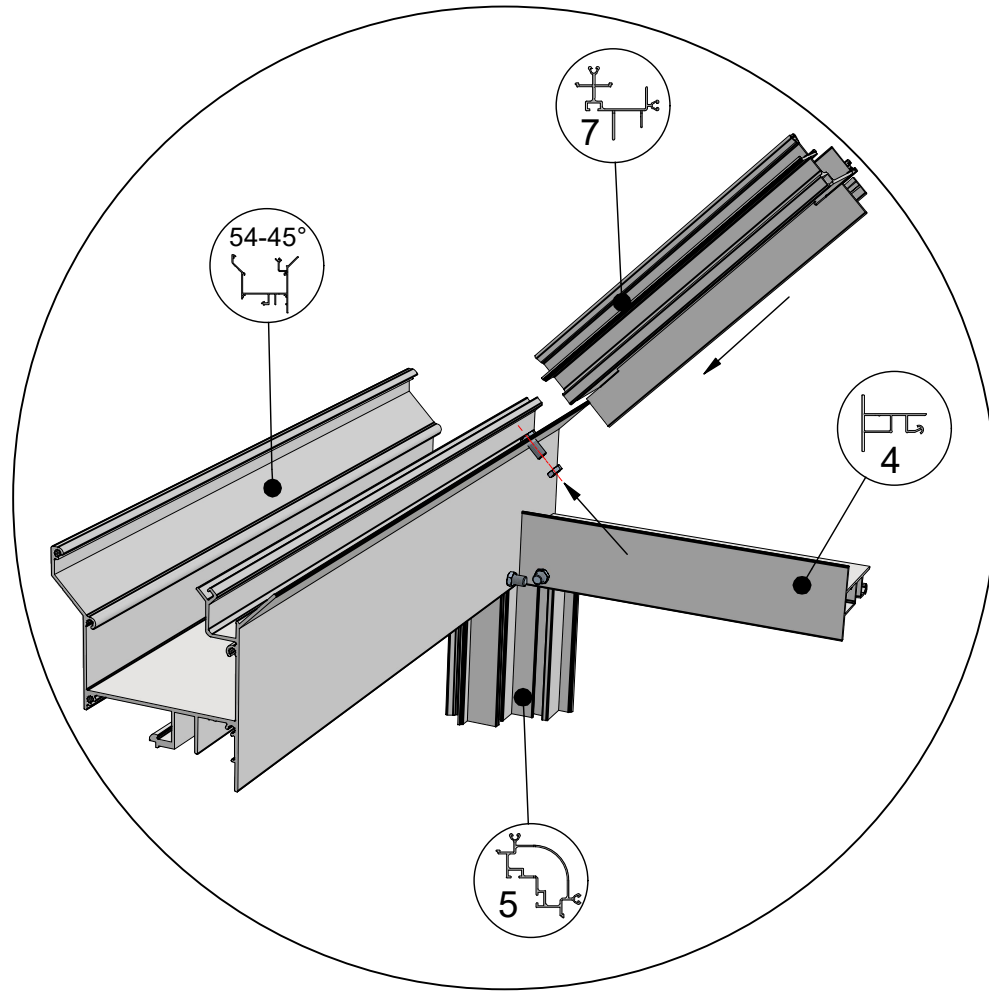
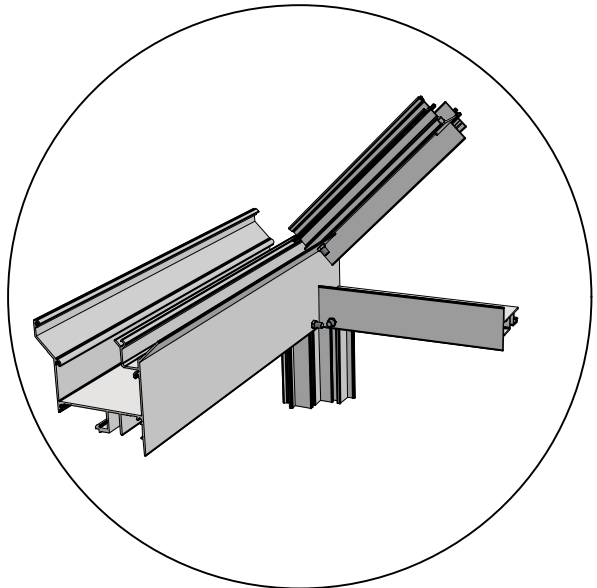
 = M6x16




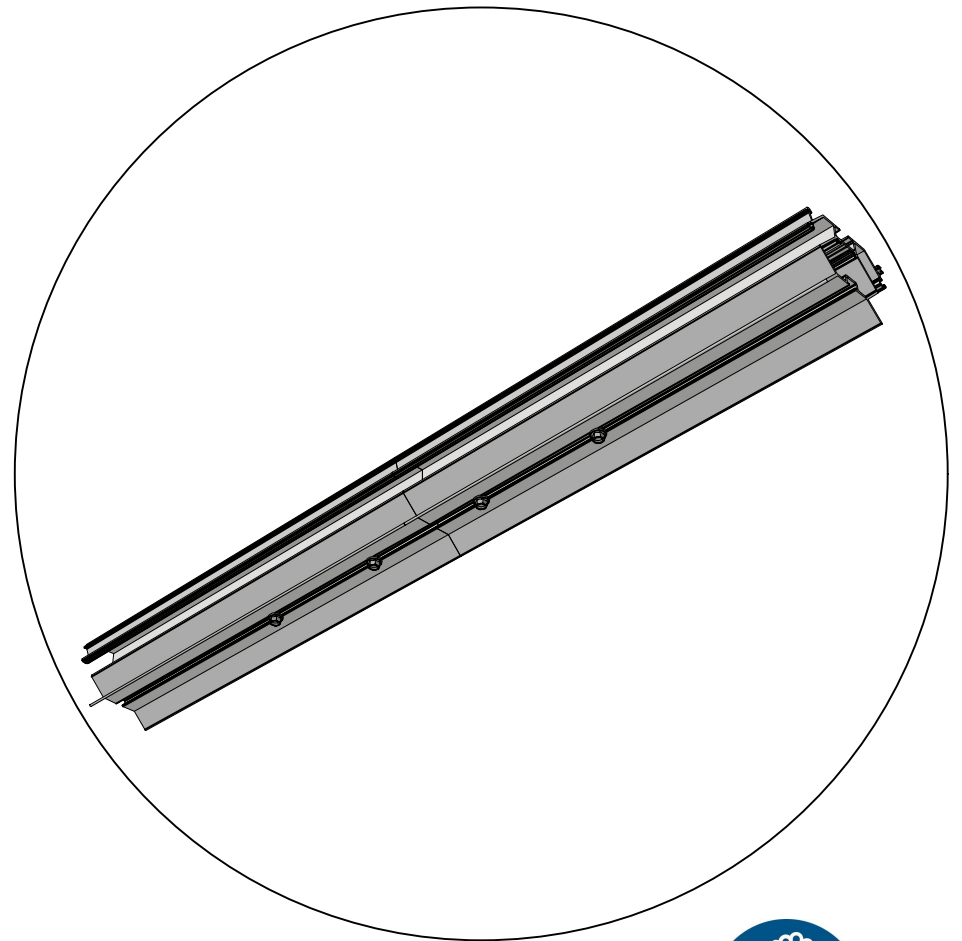
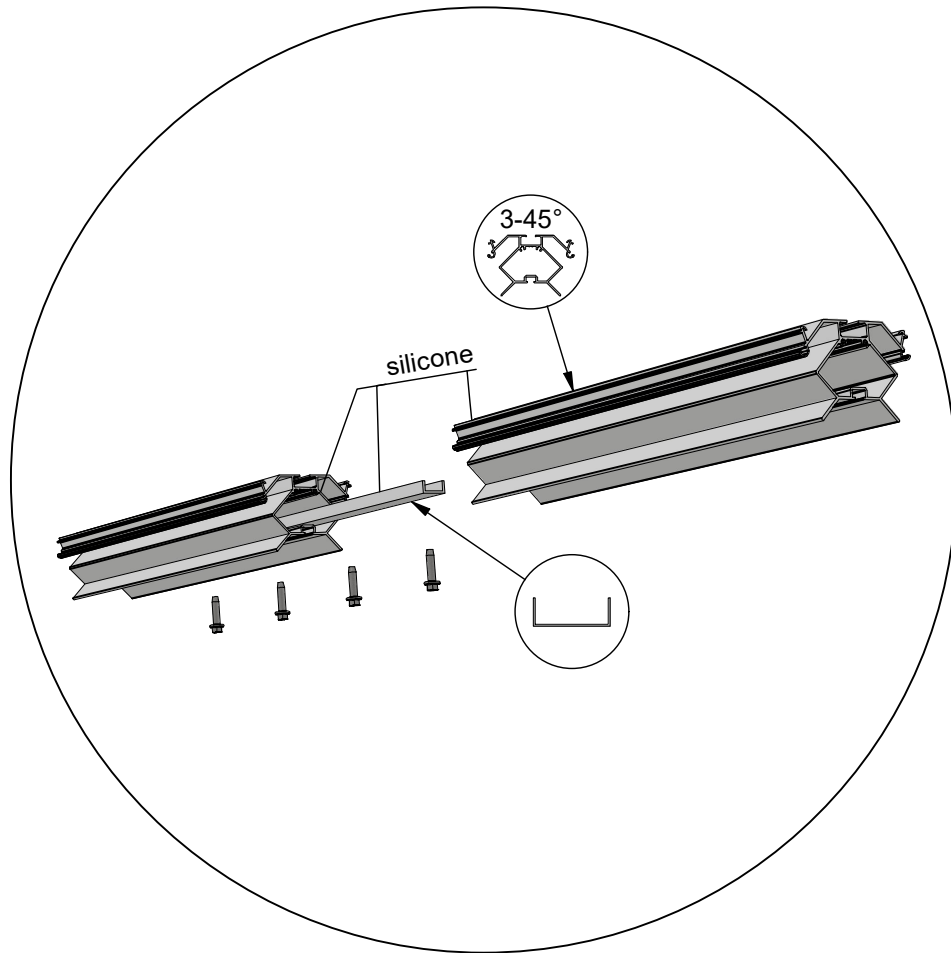
 = M6x16

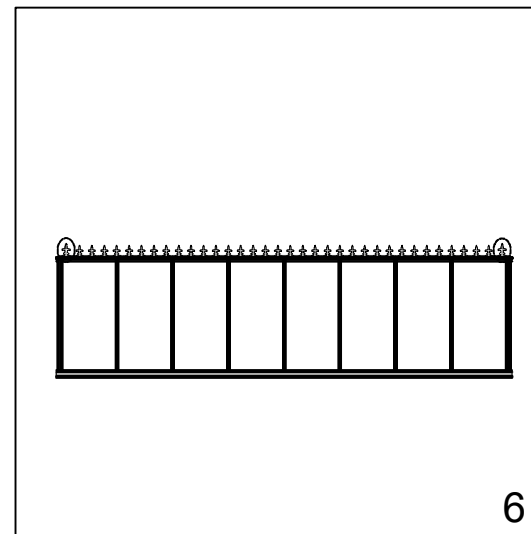
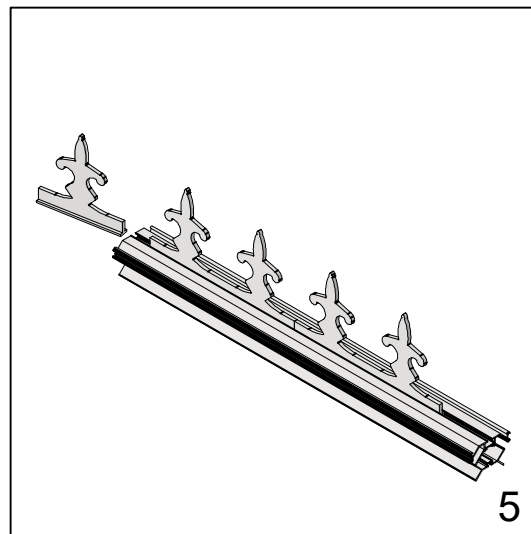
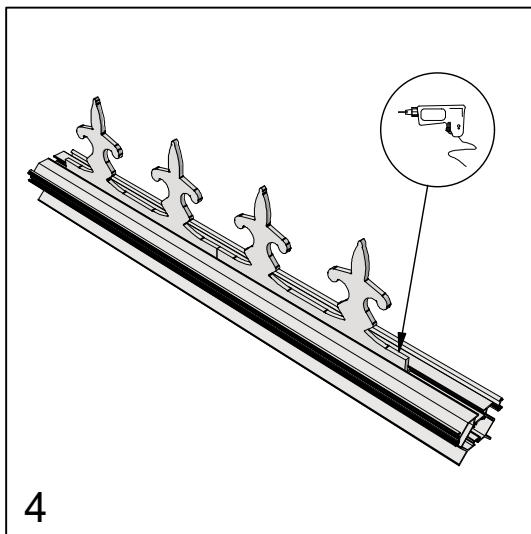
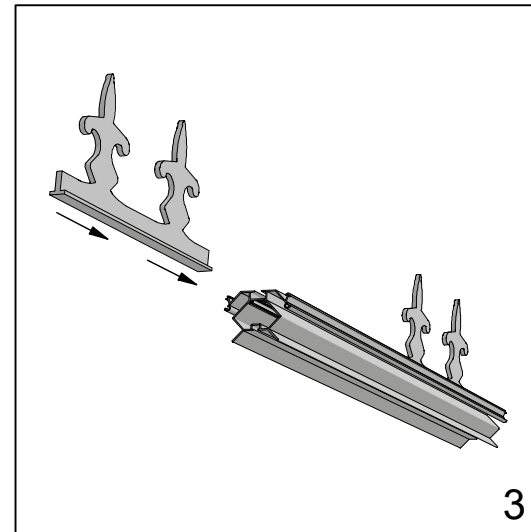
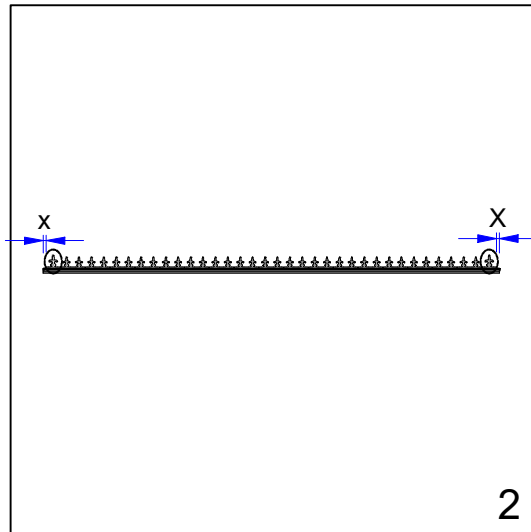
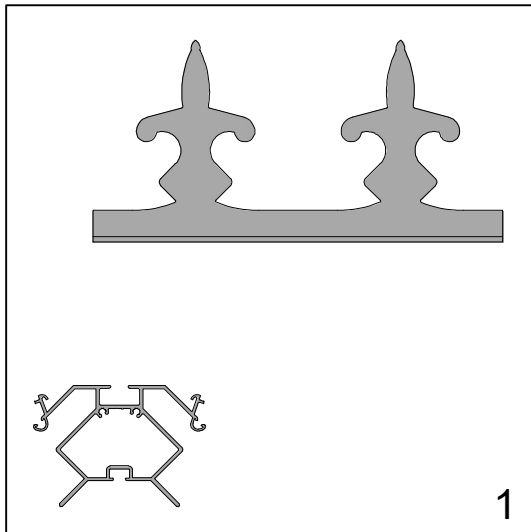



 = M6x12

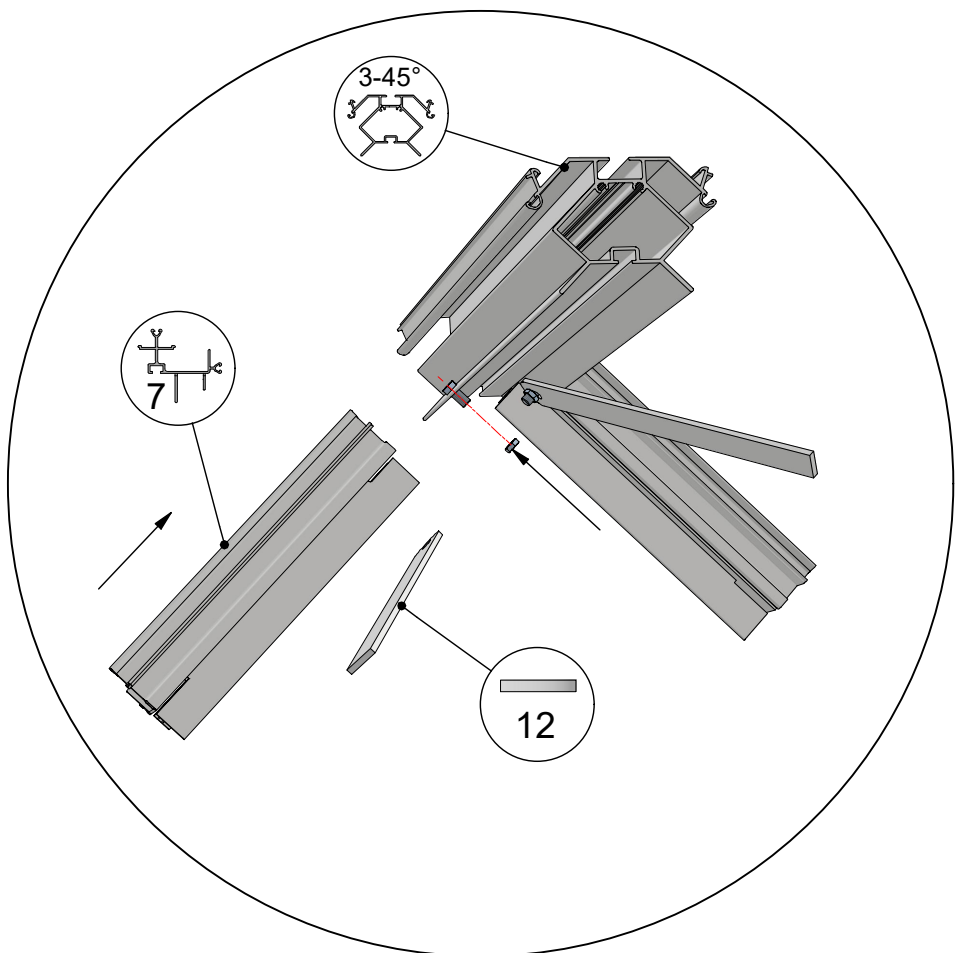
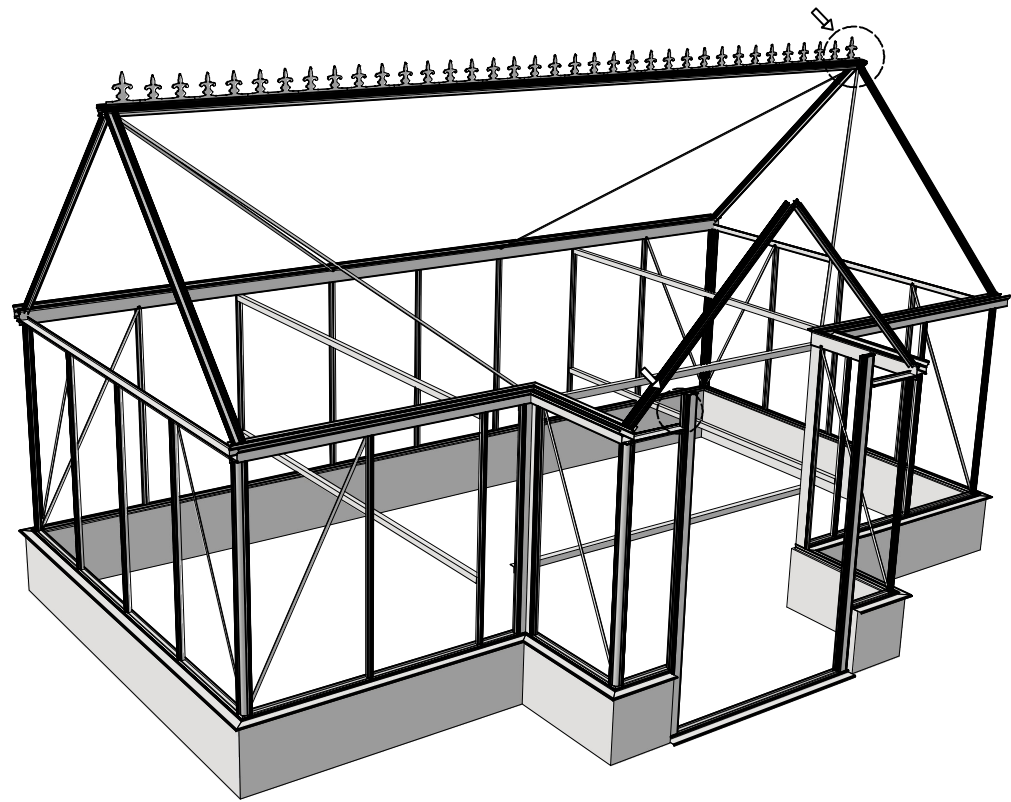
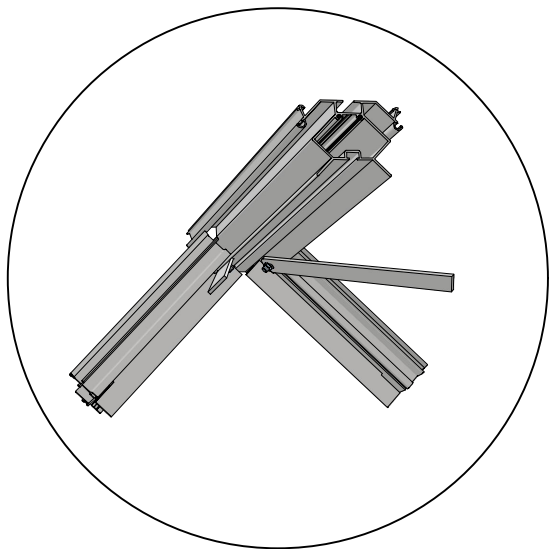


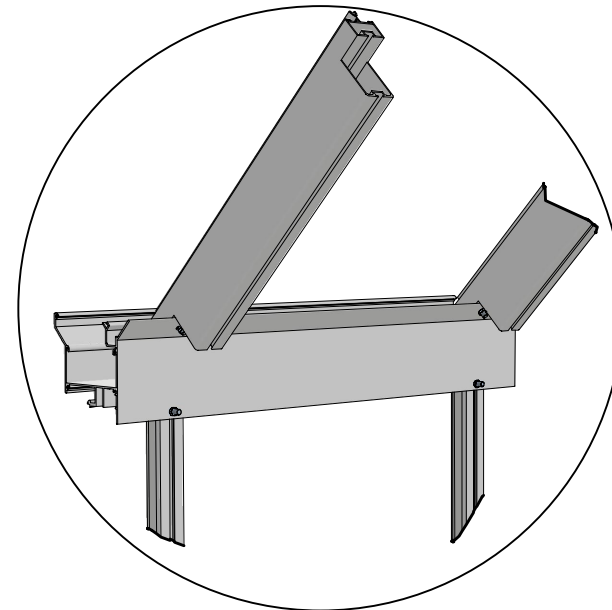
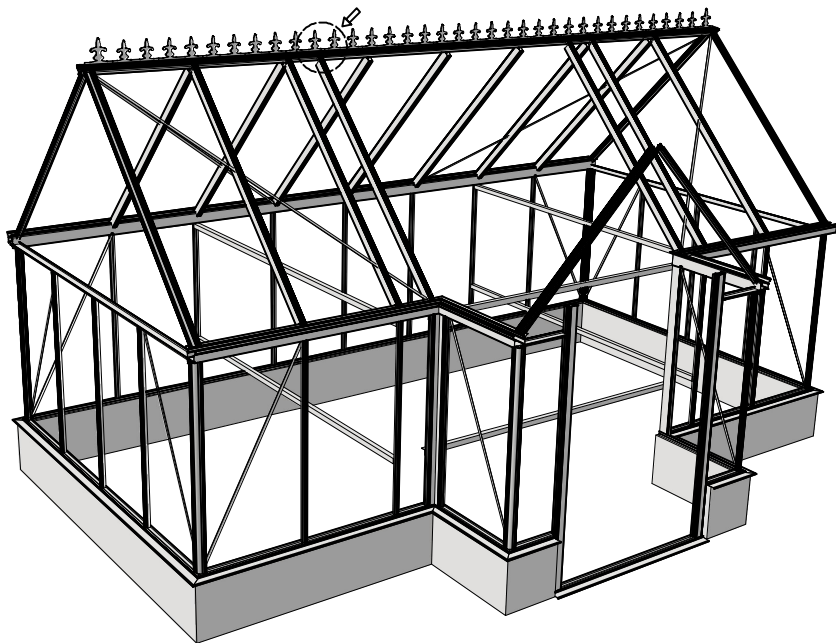
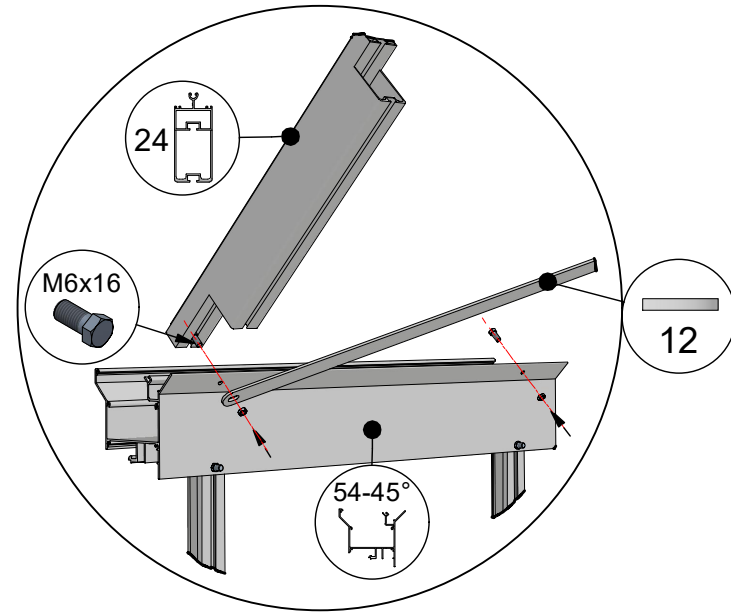
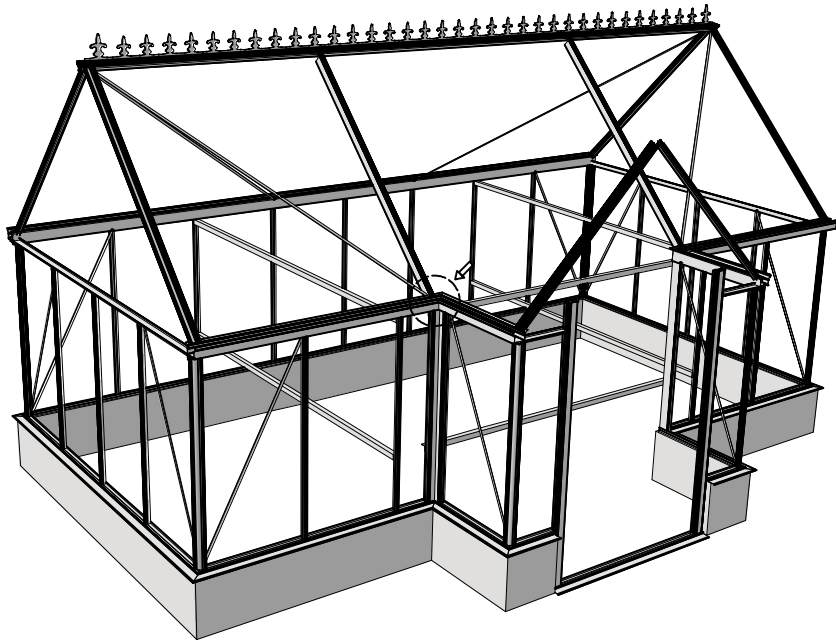
 = 6x25 (4x)




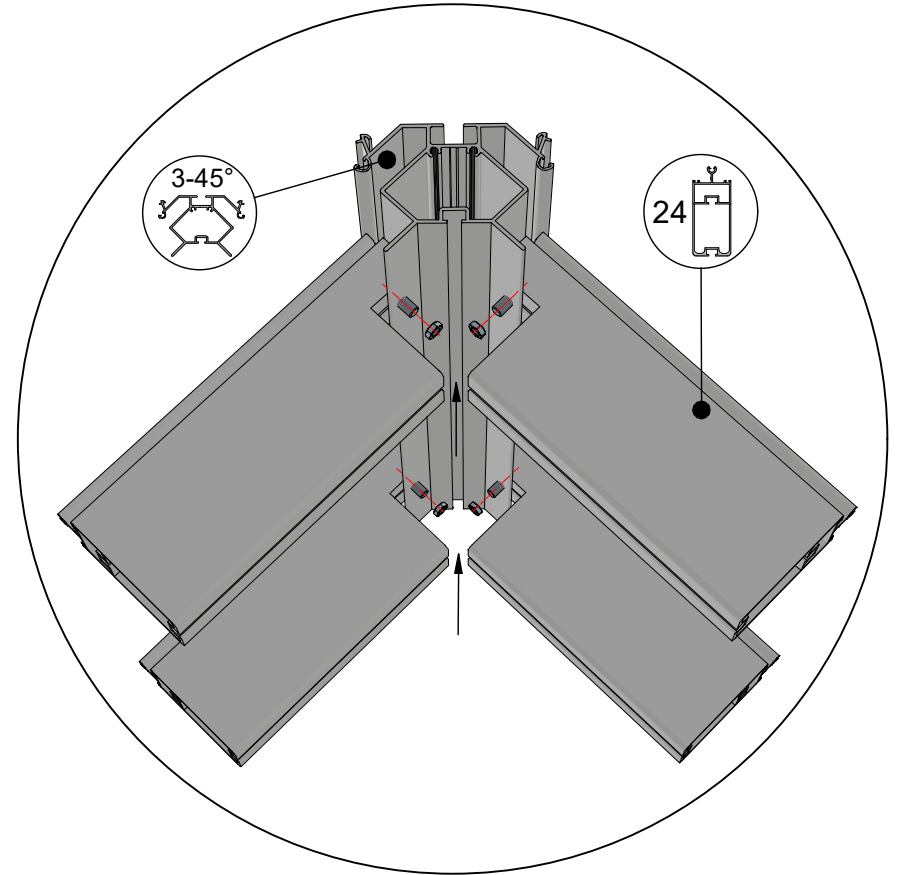
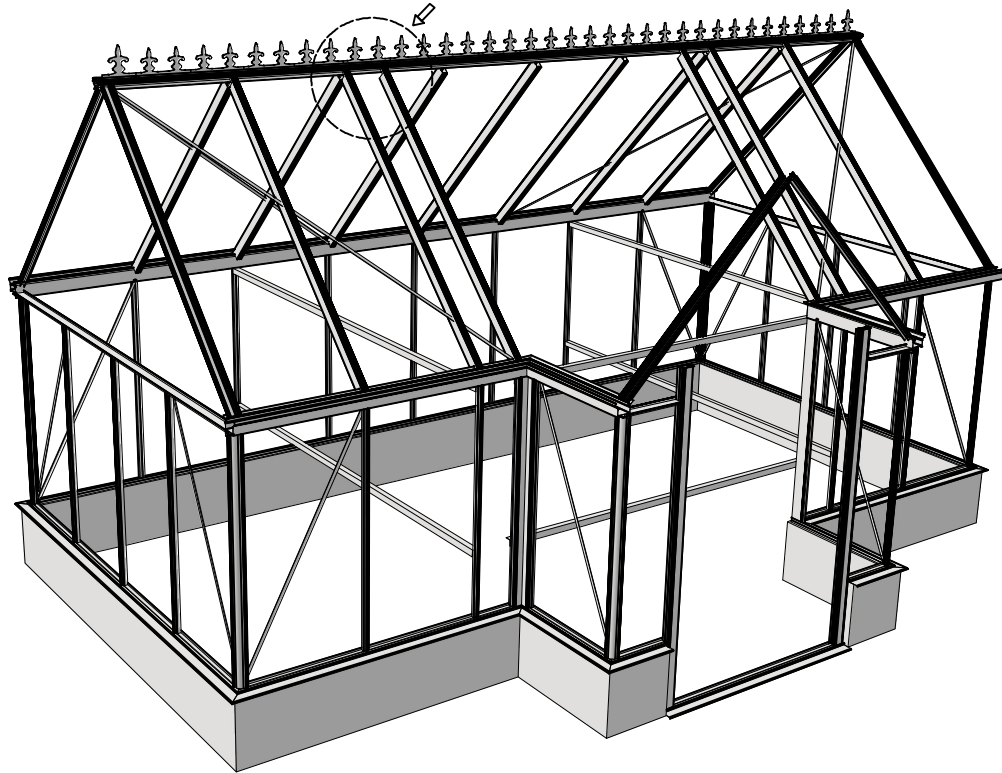
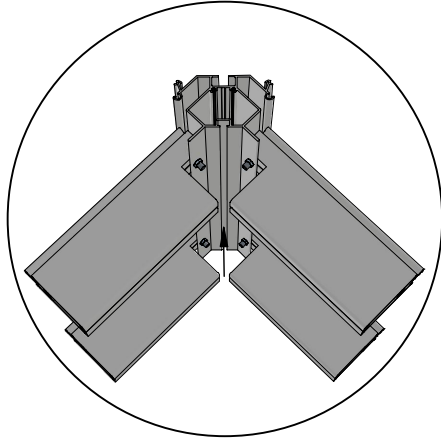


 = M6x12

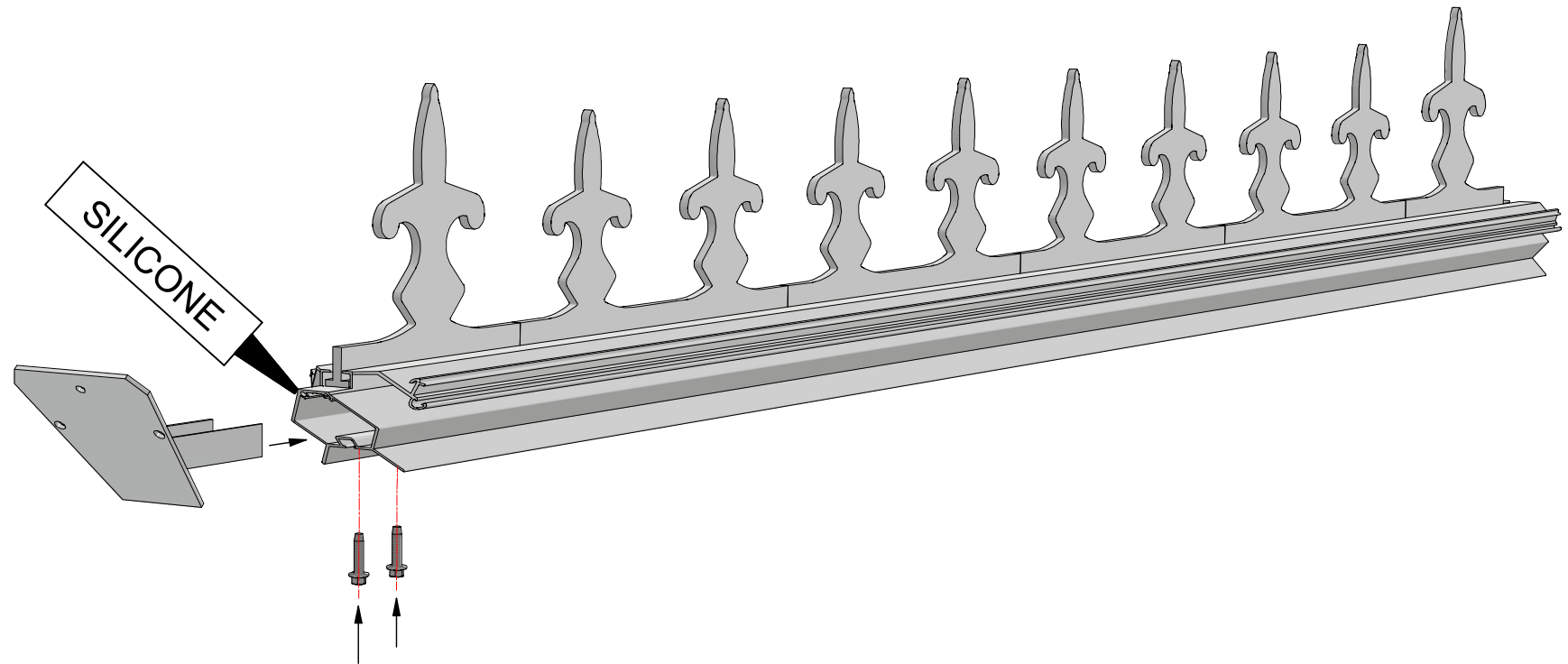


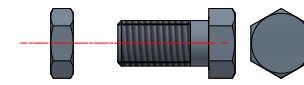


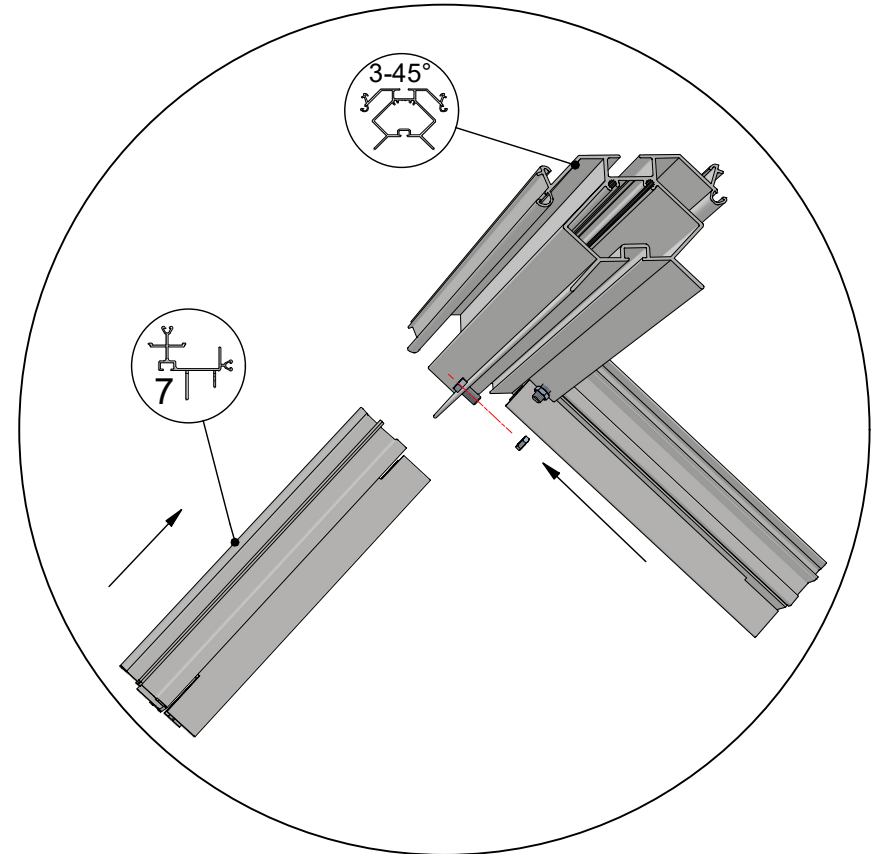
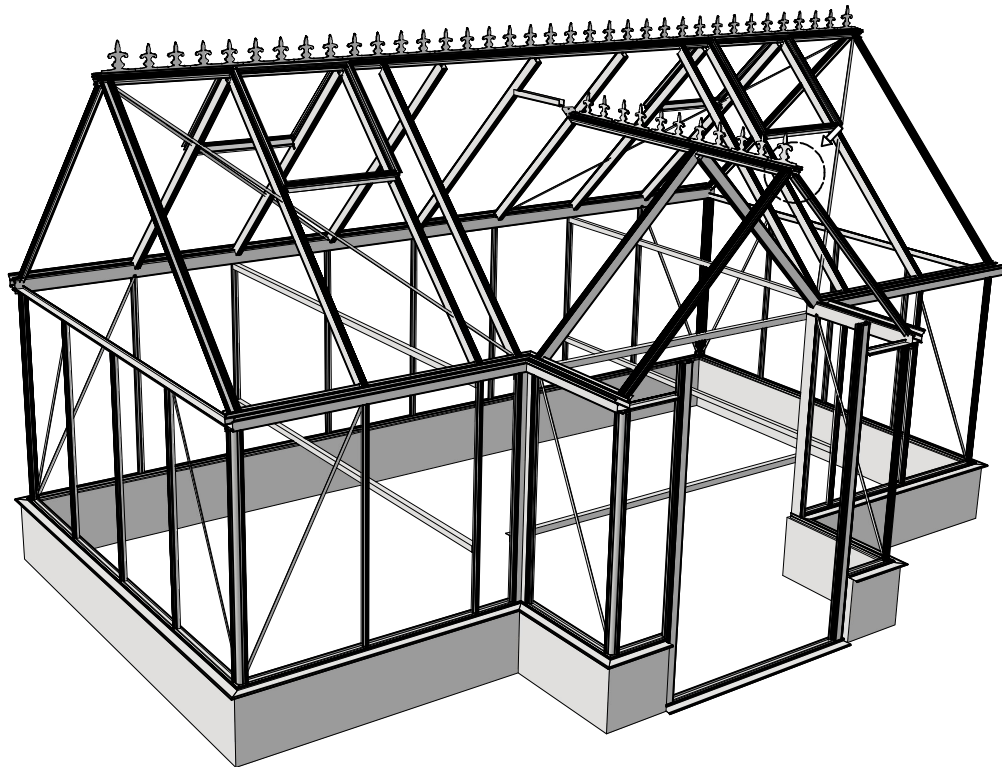
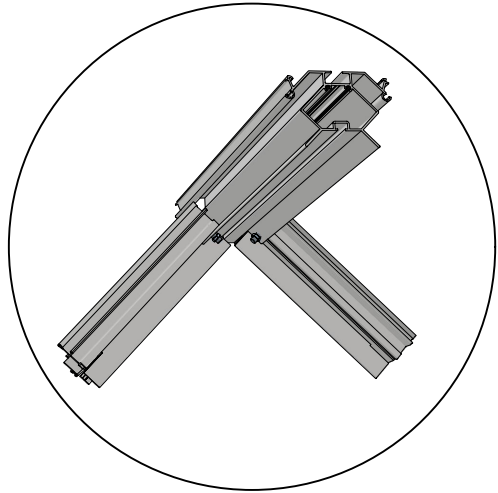
 = M6x12

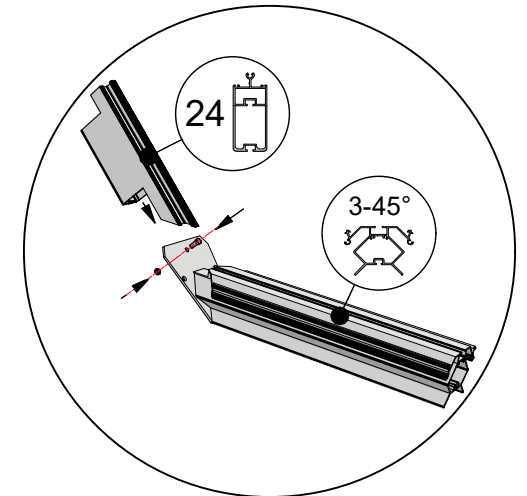
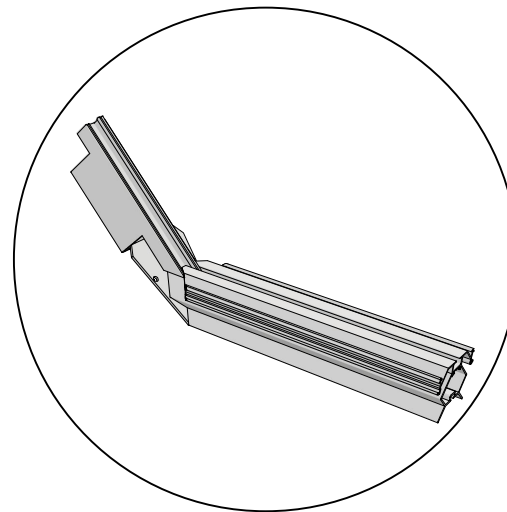
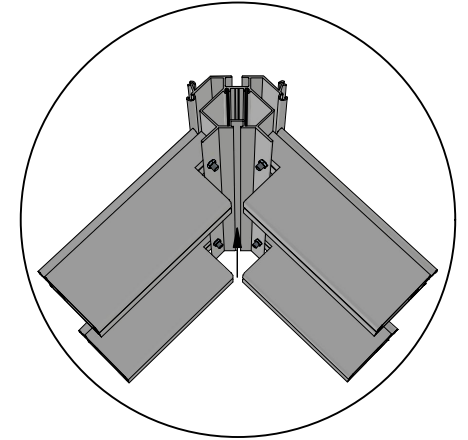
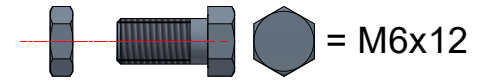
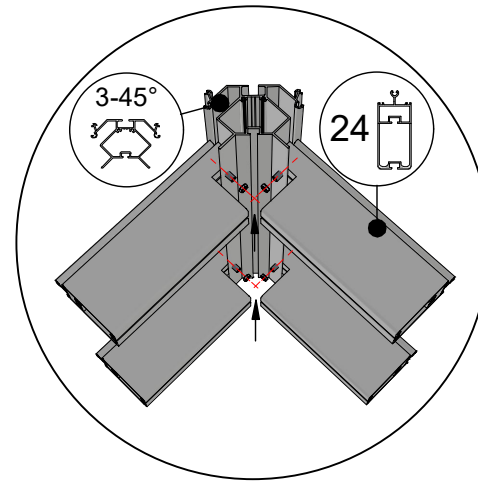
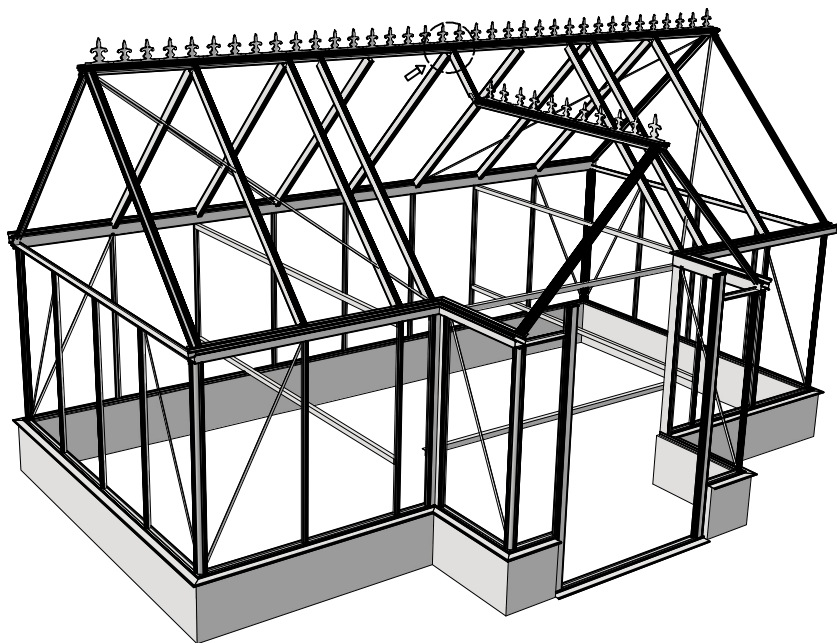
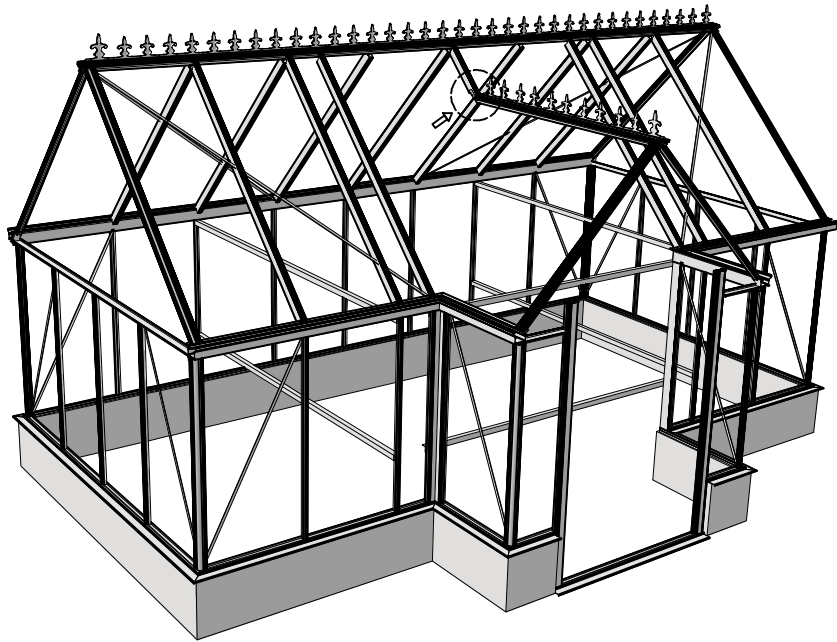



 = 6x25

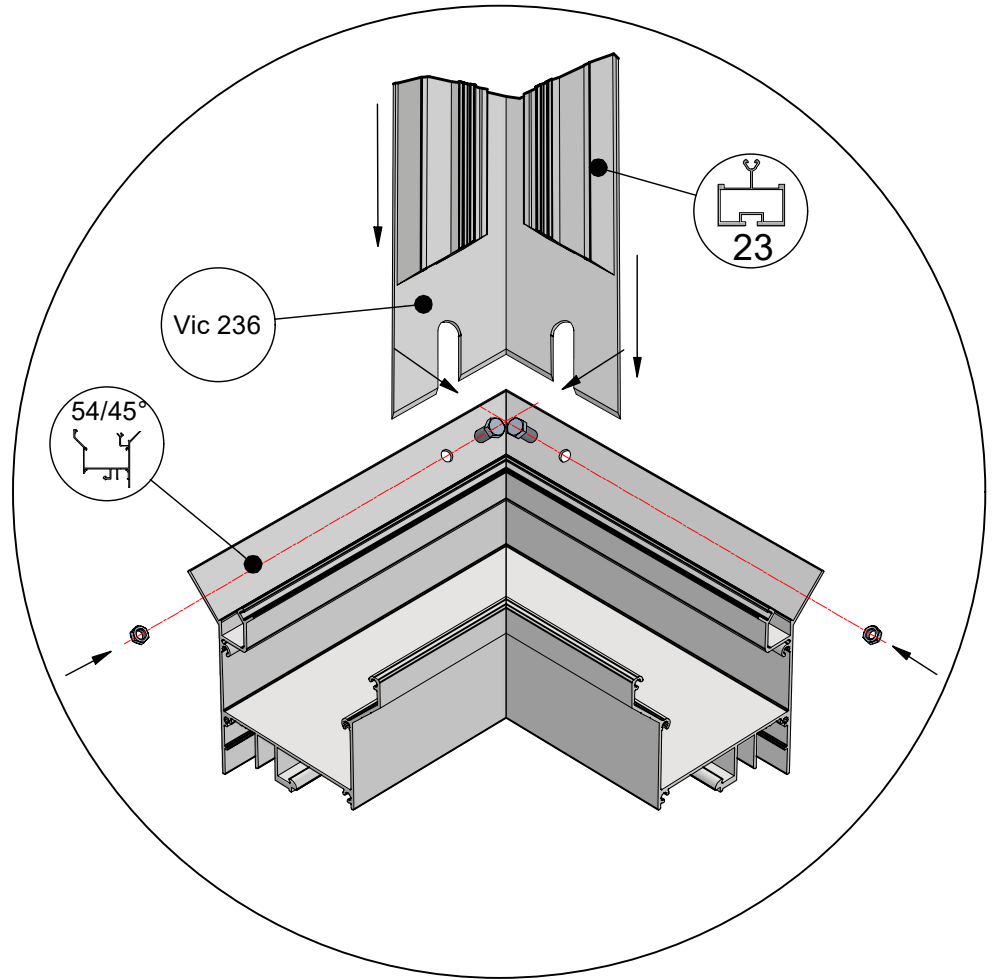
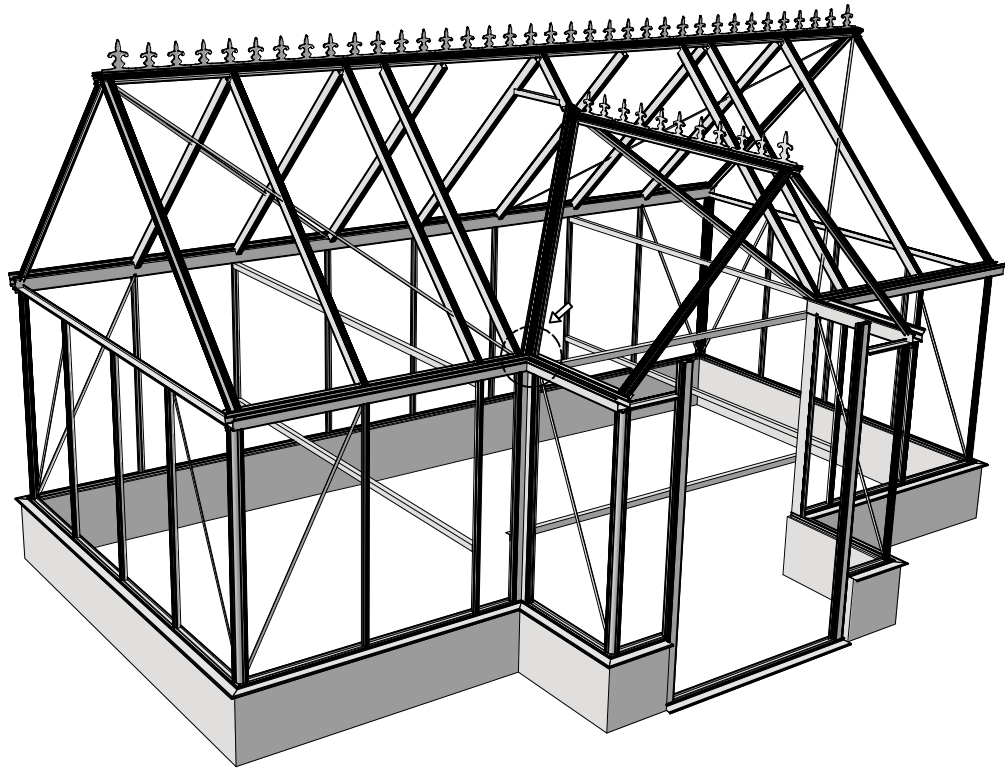
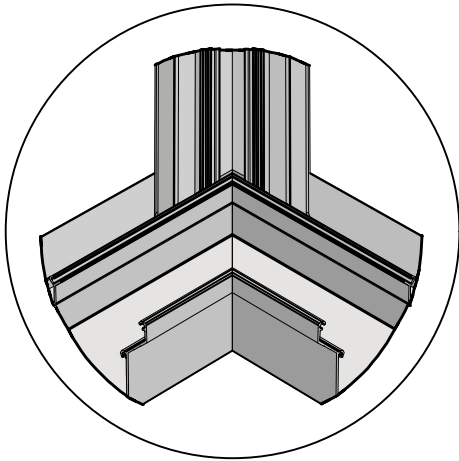


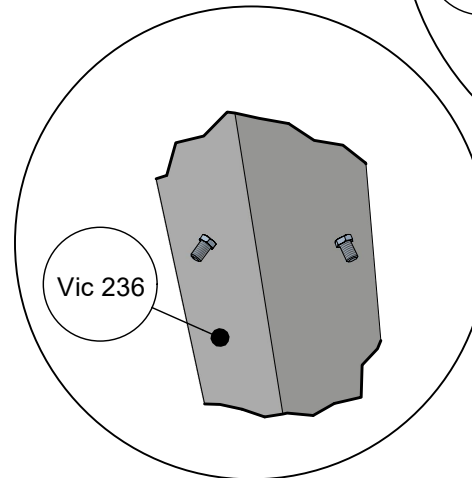
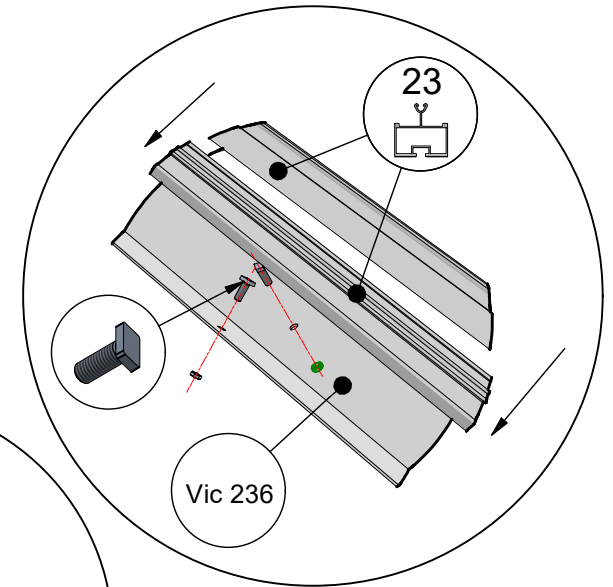
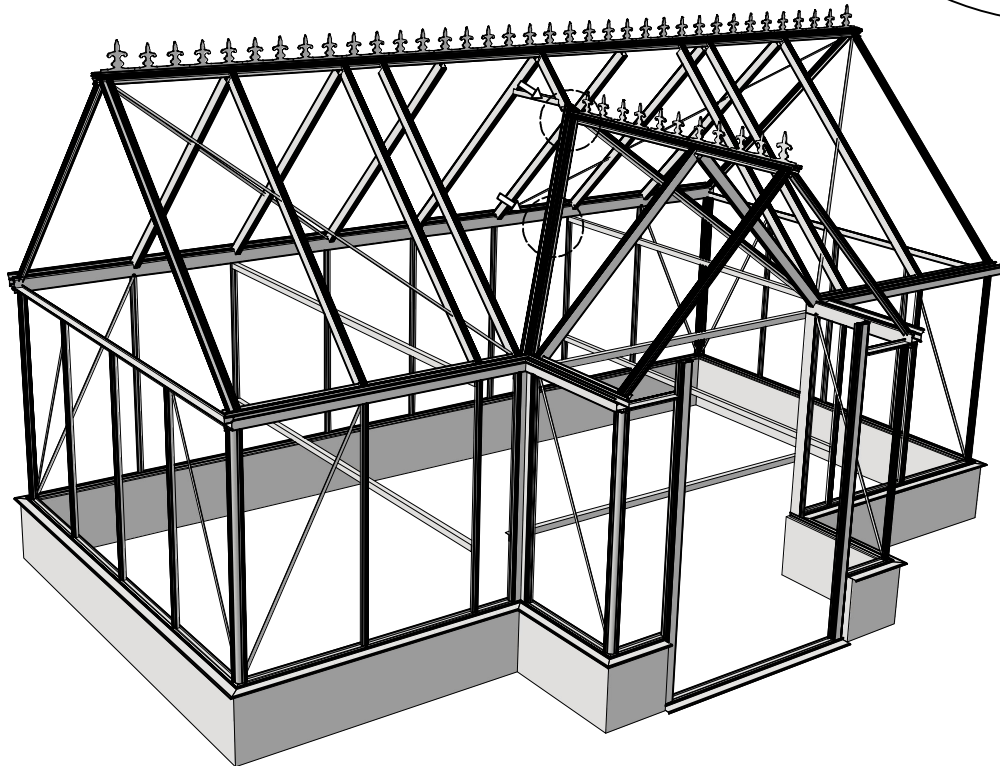
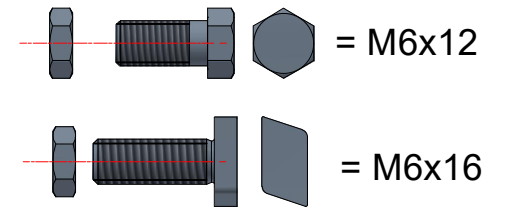
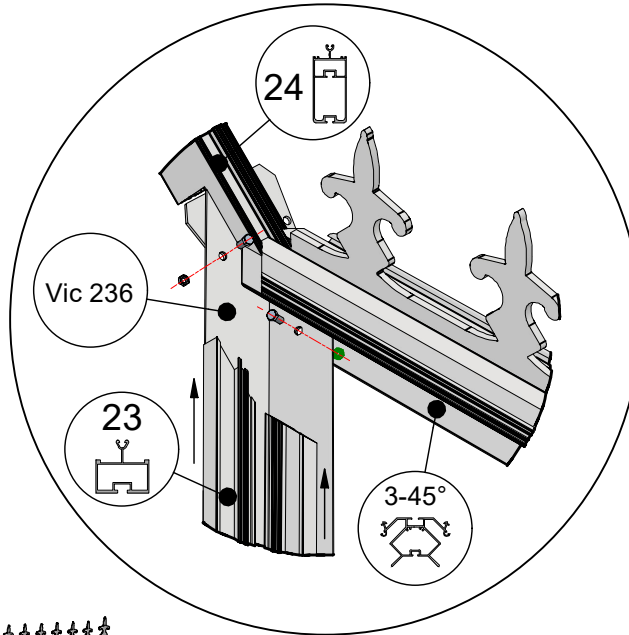
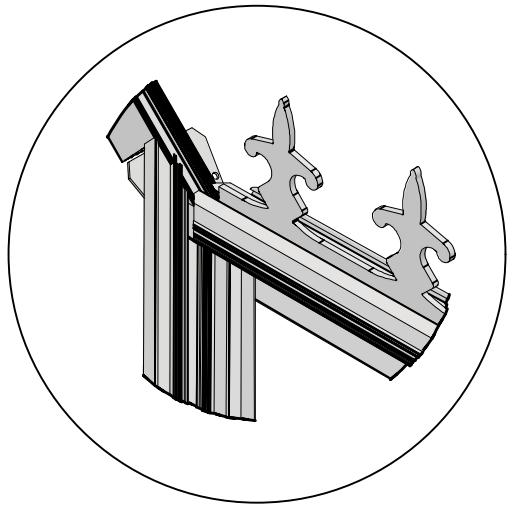
 = M6x12

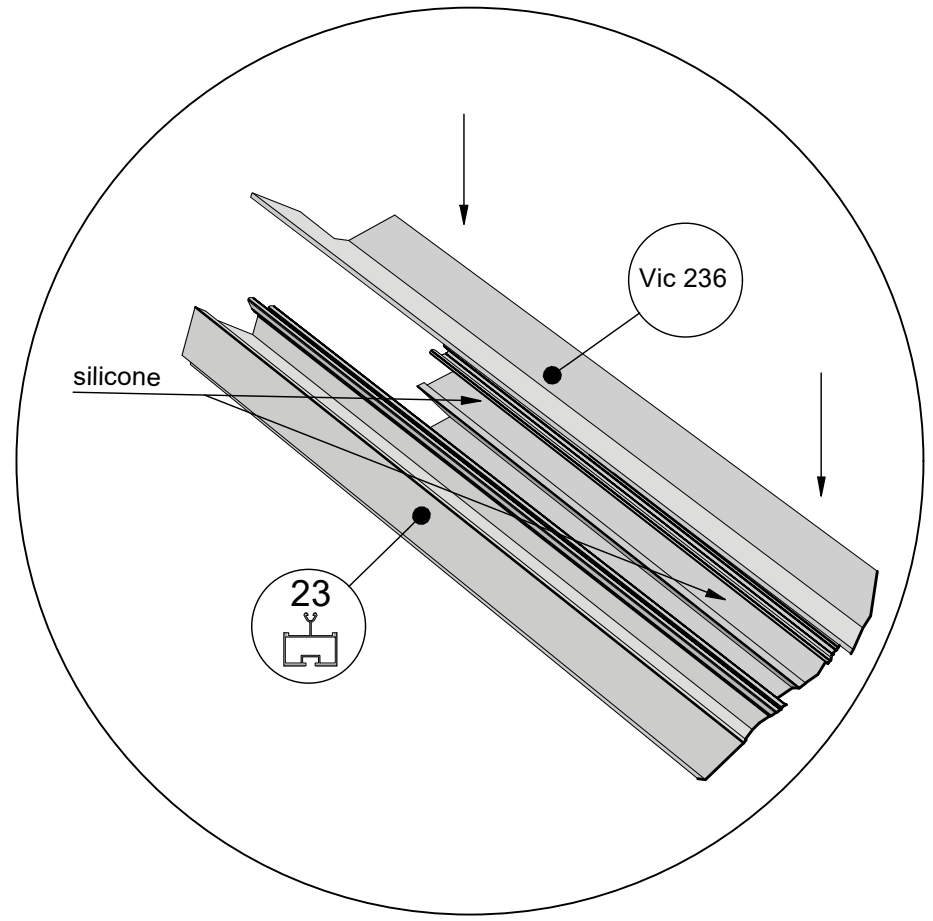
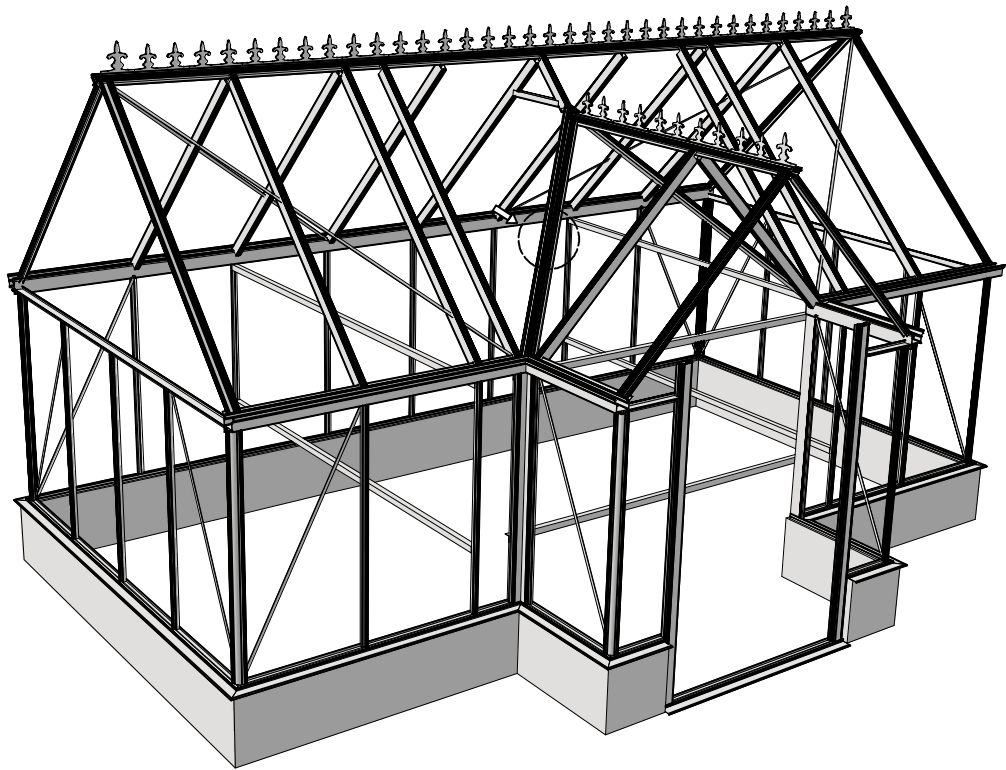
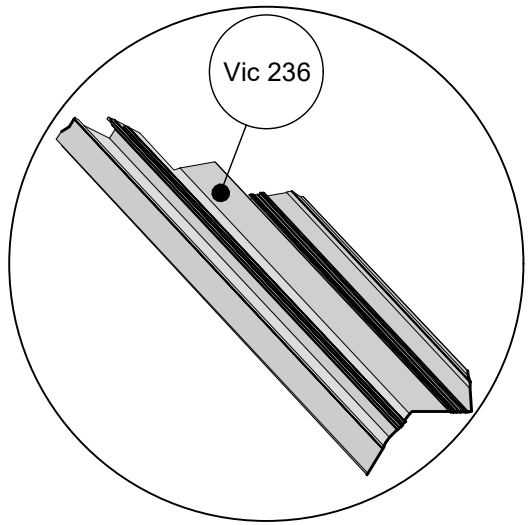


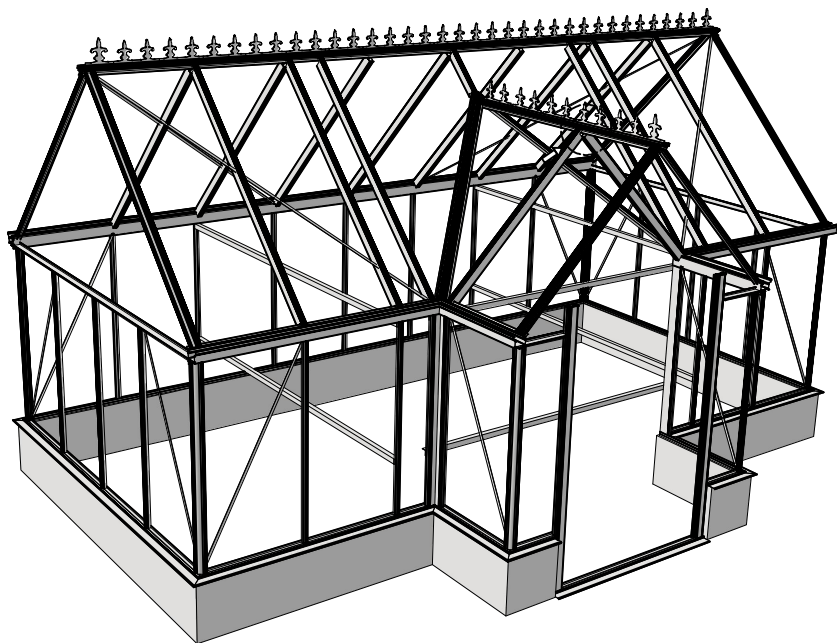
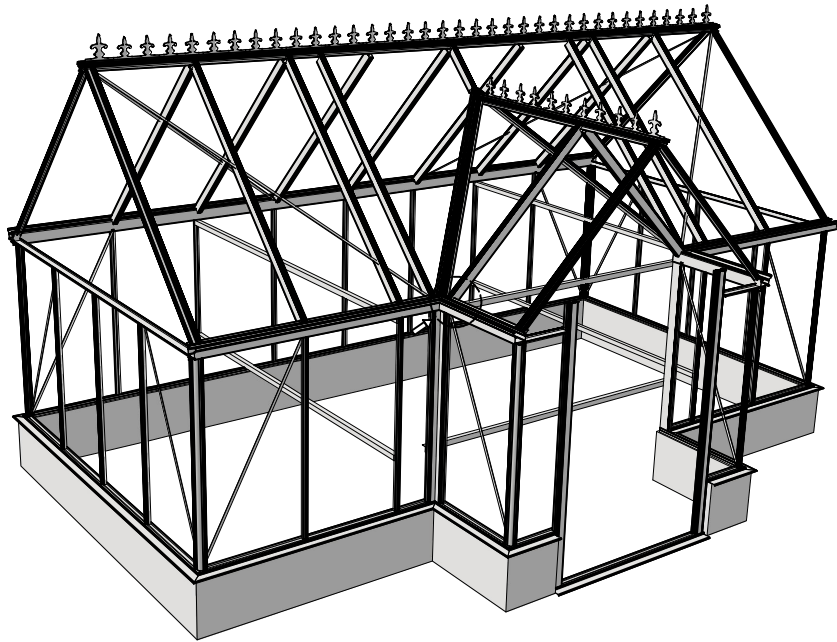


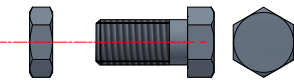
 = M6x12

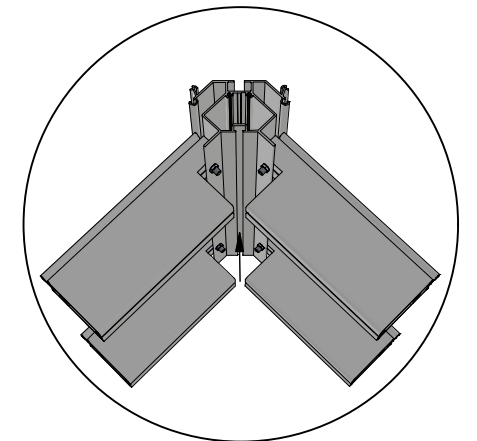
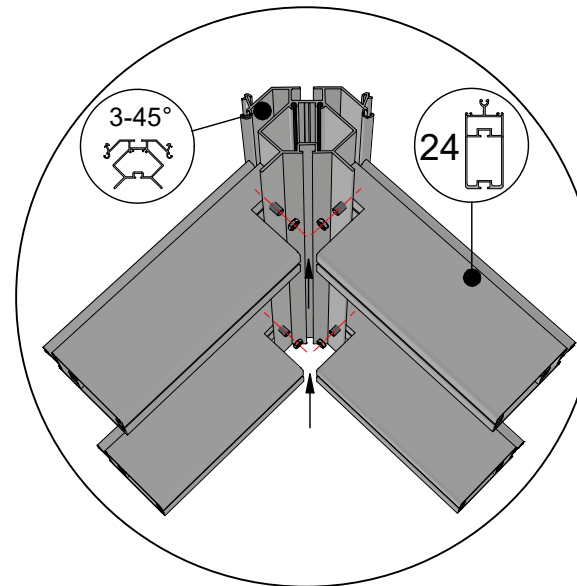
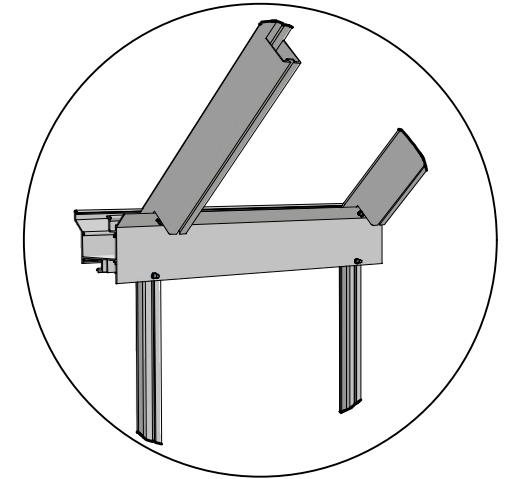
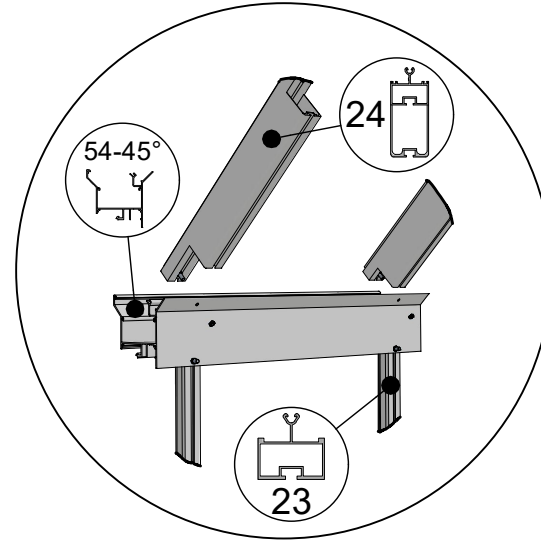


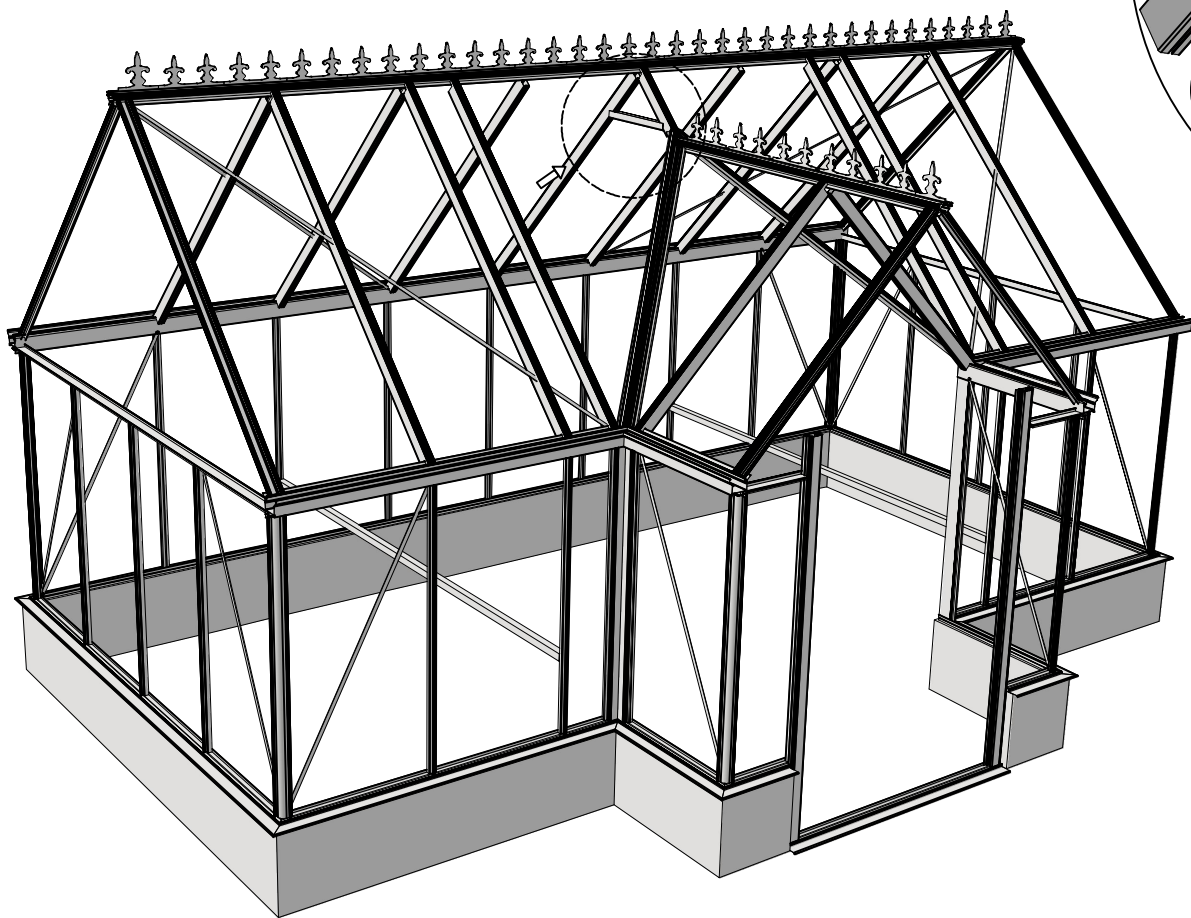
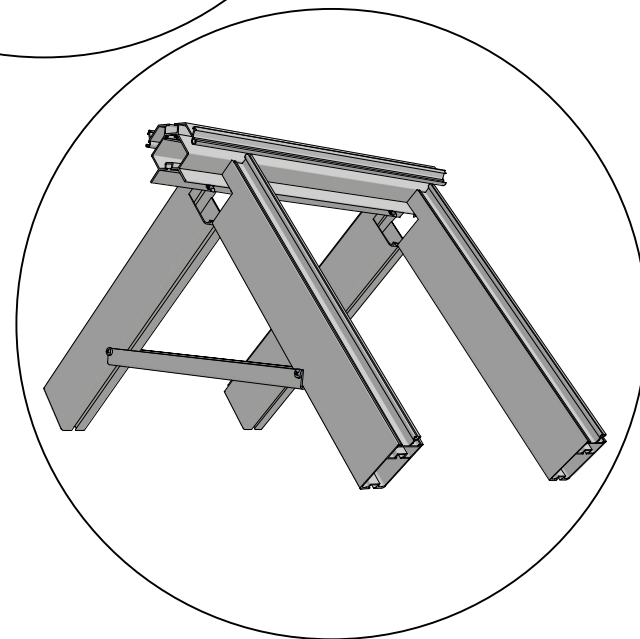
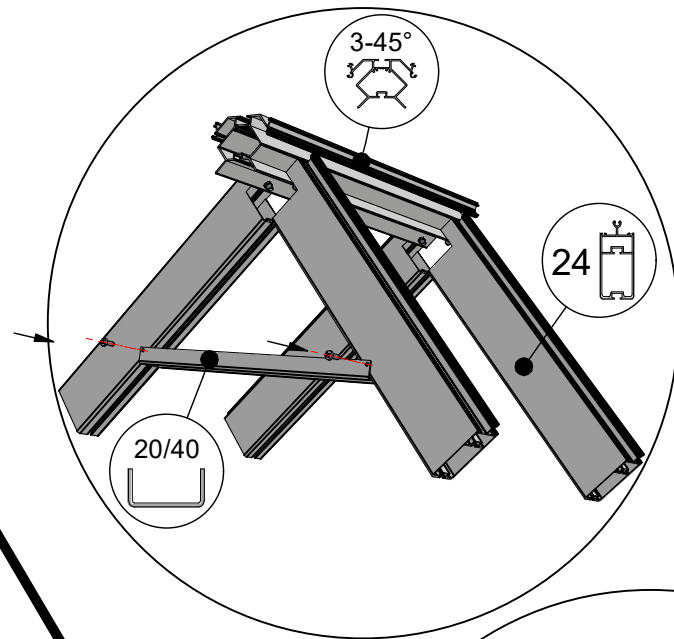
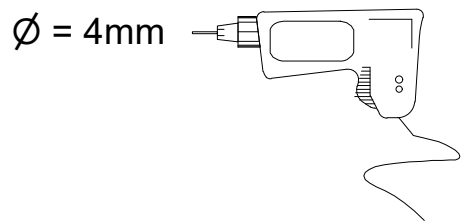
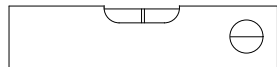


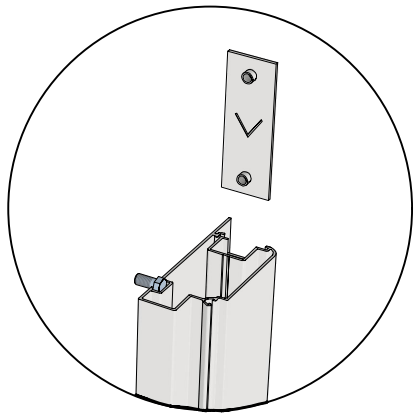




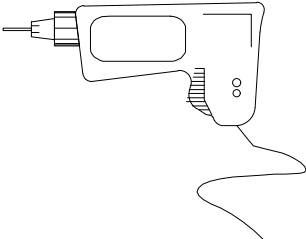
 = M6x12

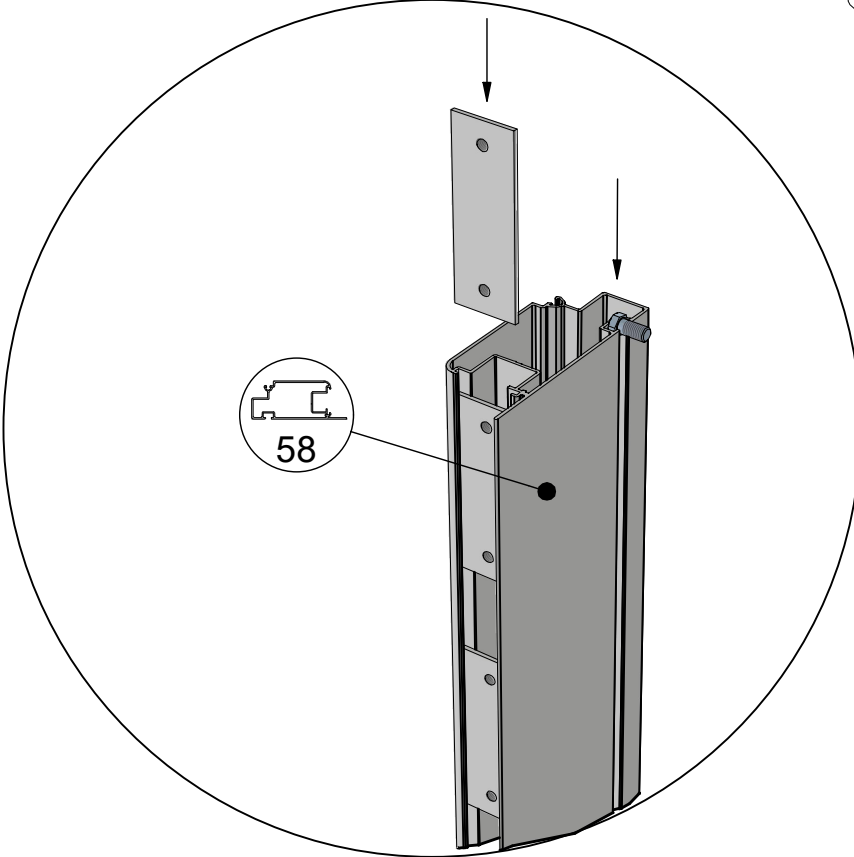
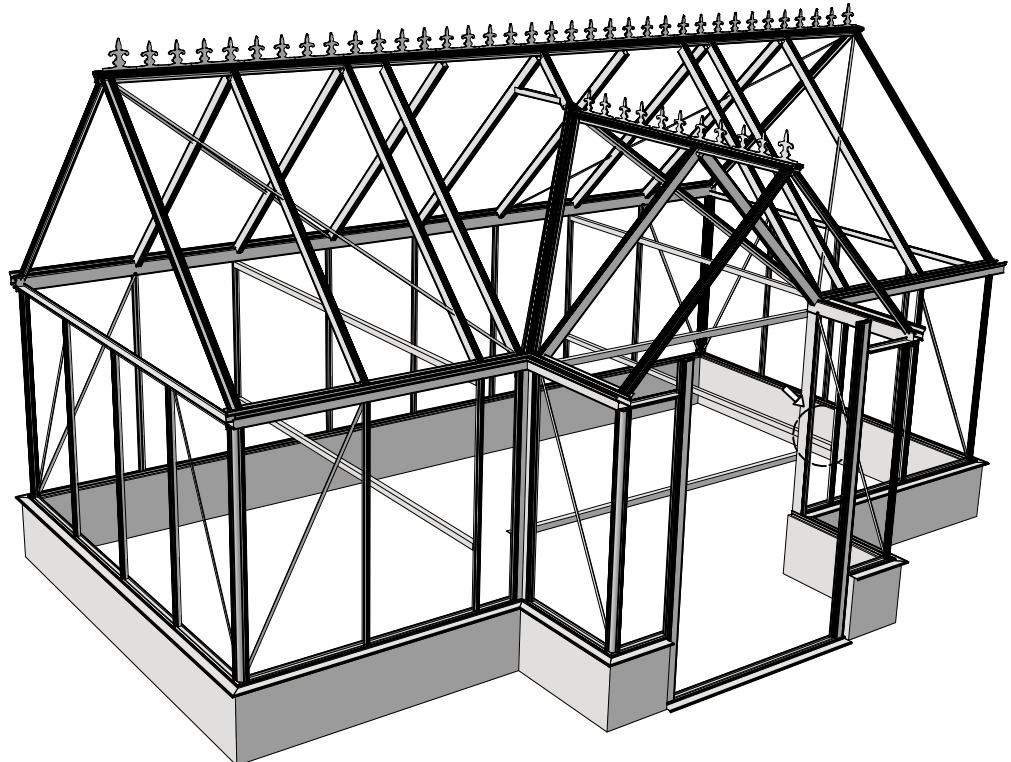




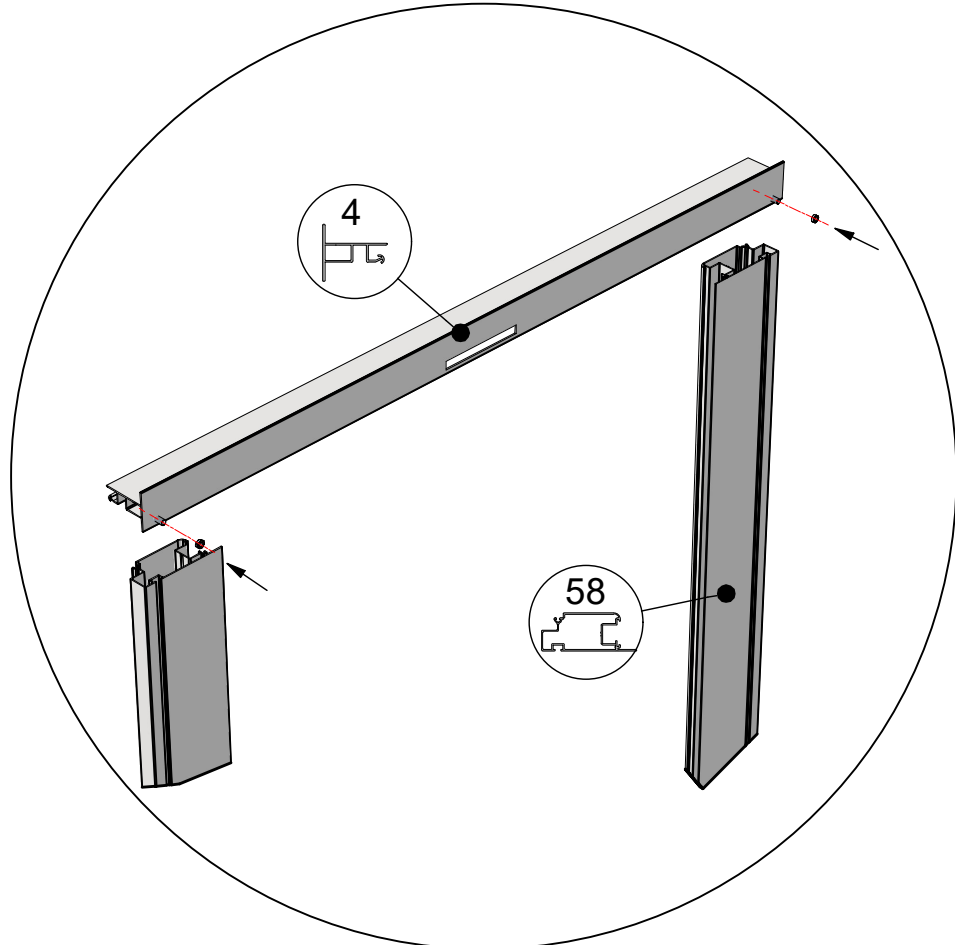
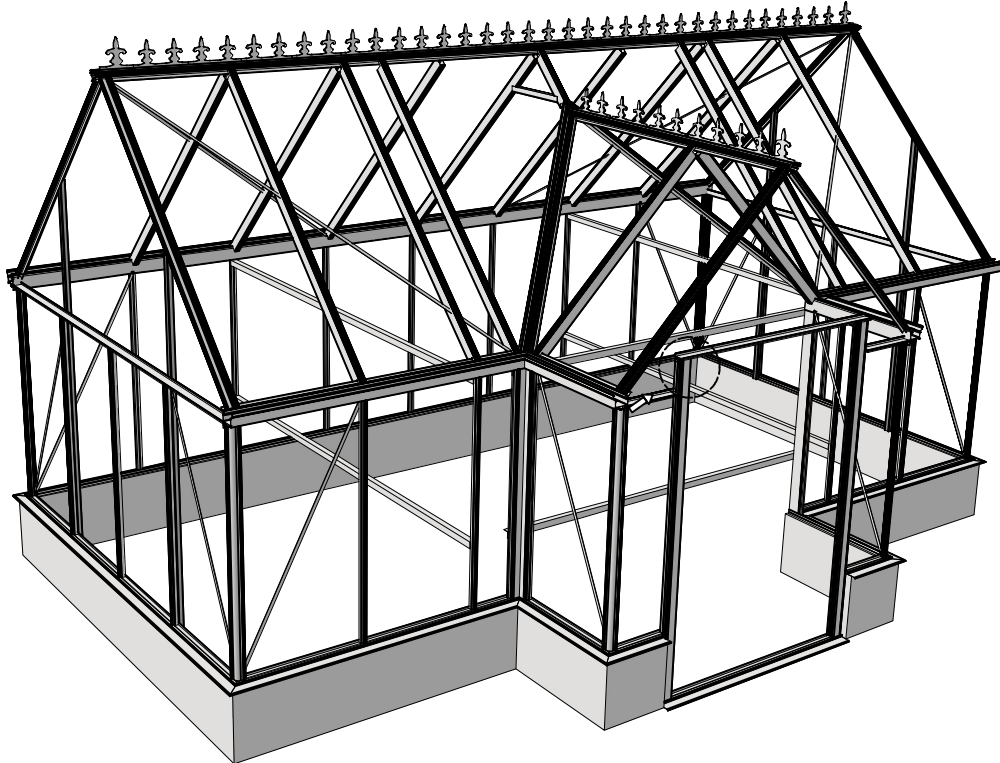
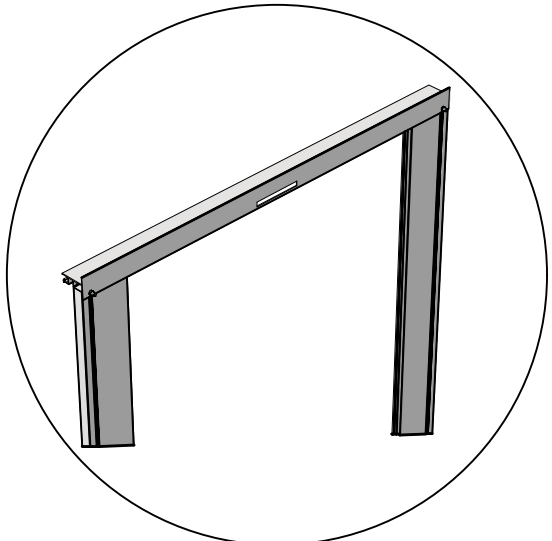


  = 4,2x25 (3x)

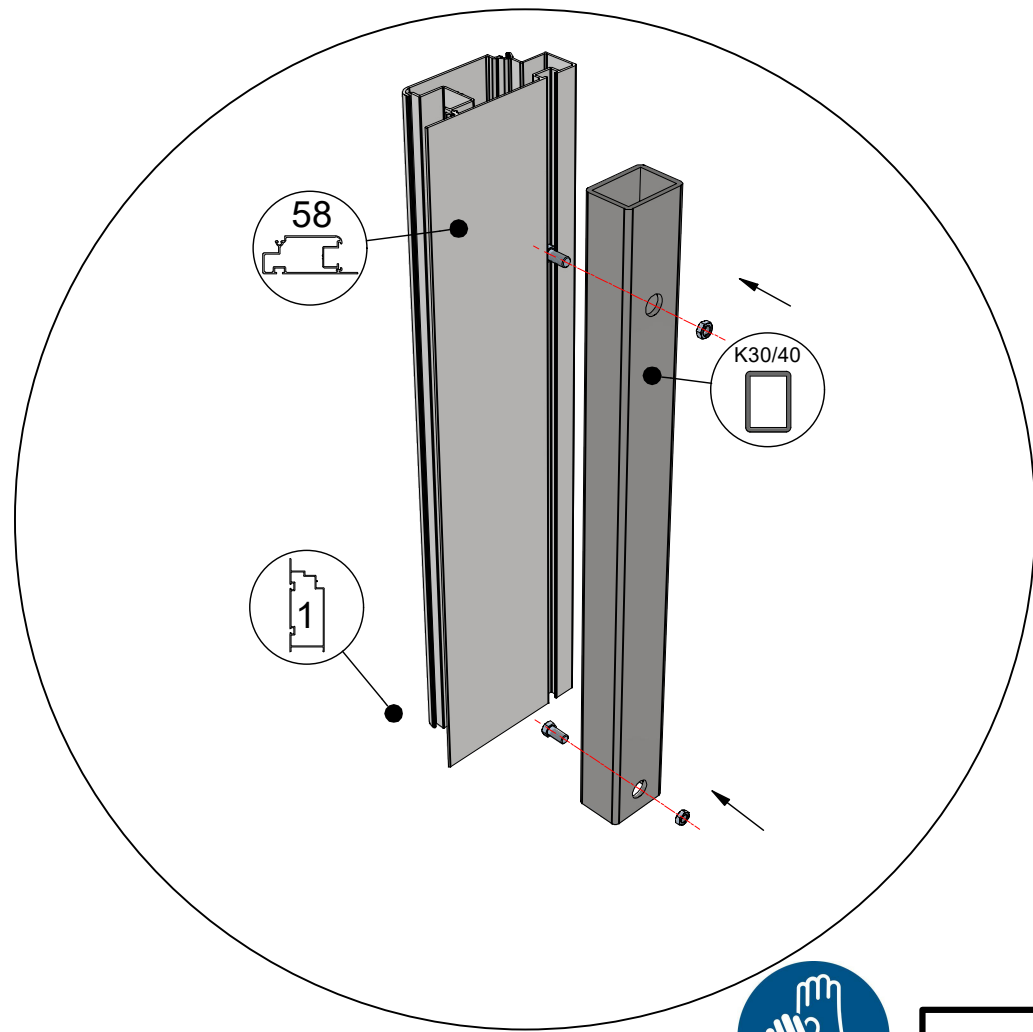
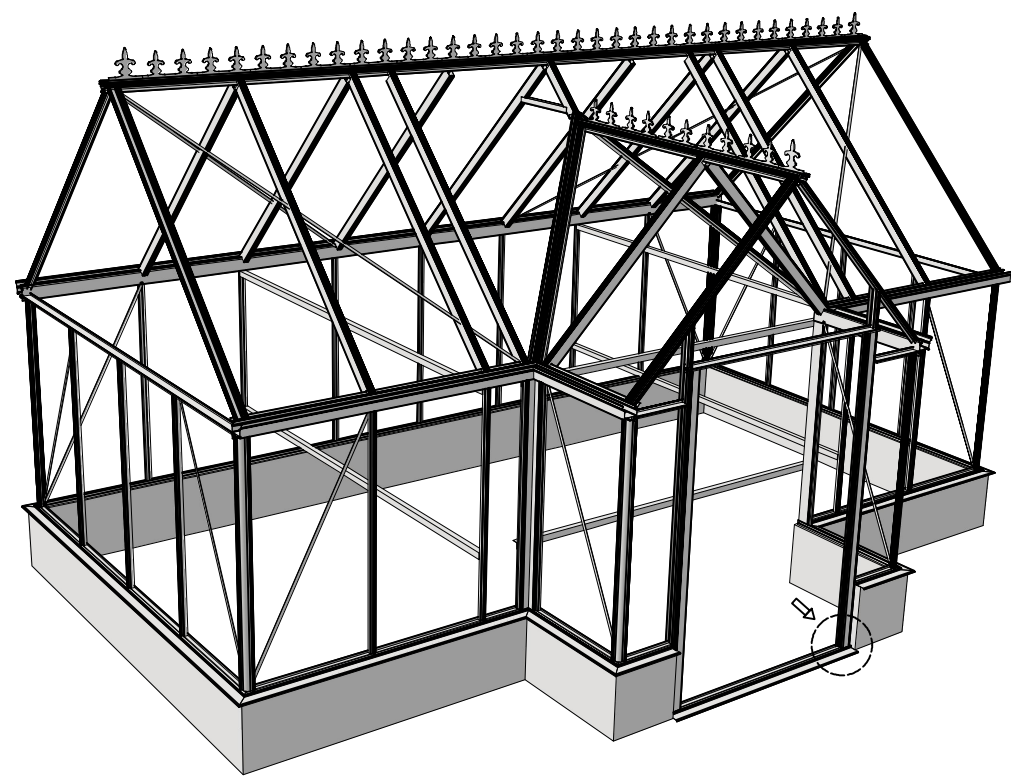
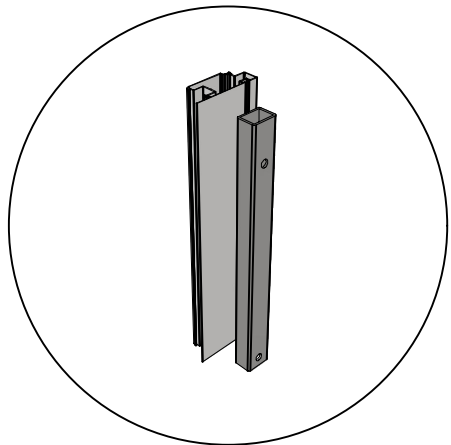
Ø4 mm 




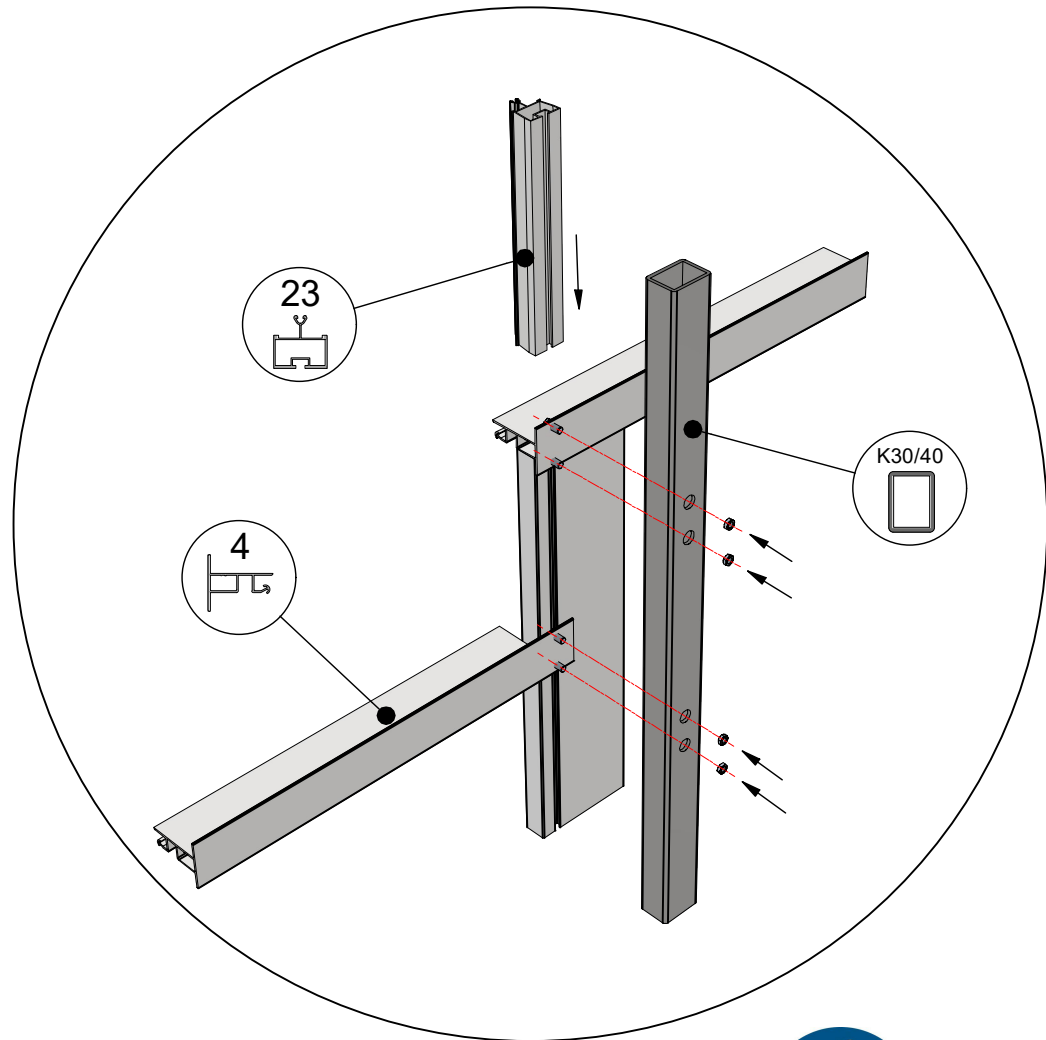
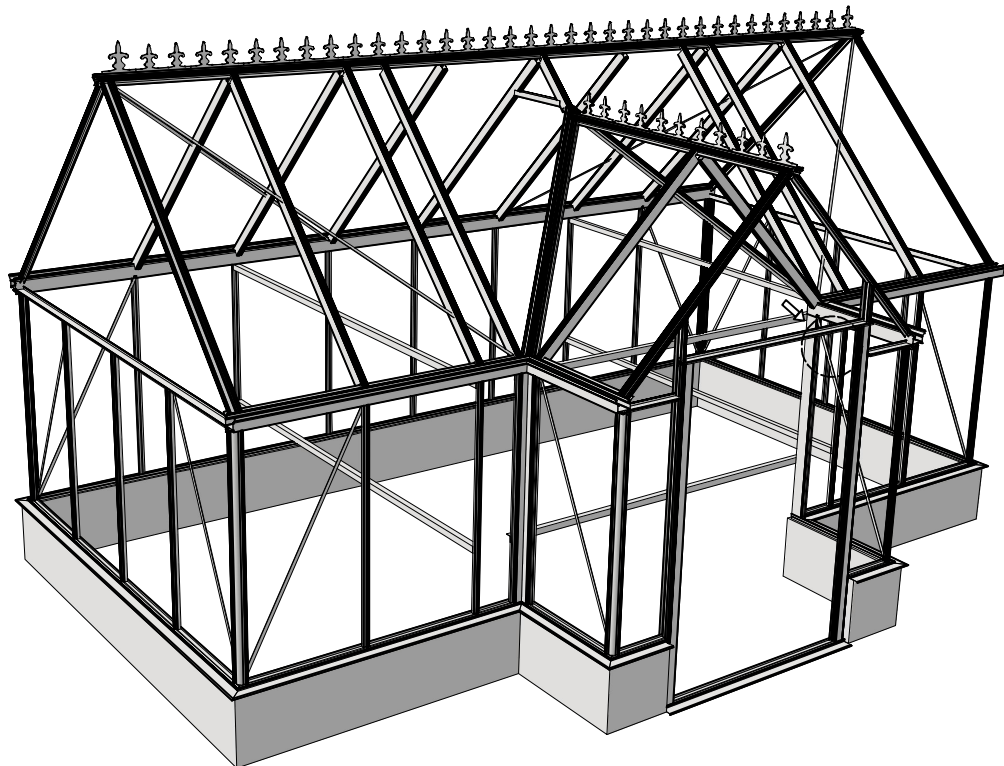
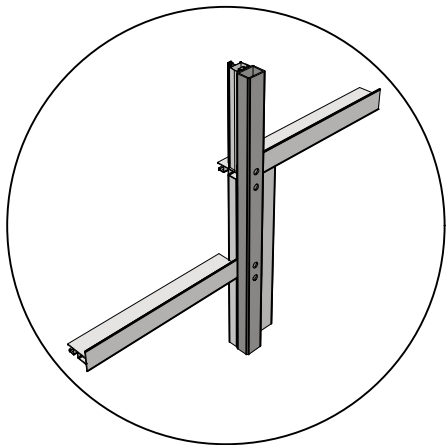
 = M6x12



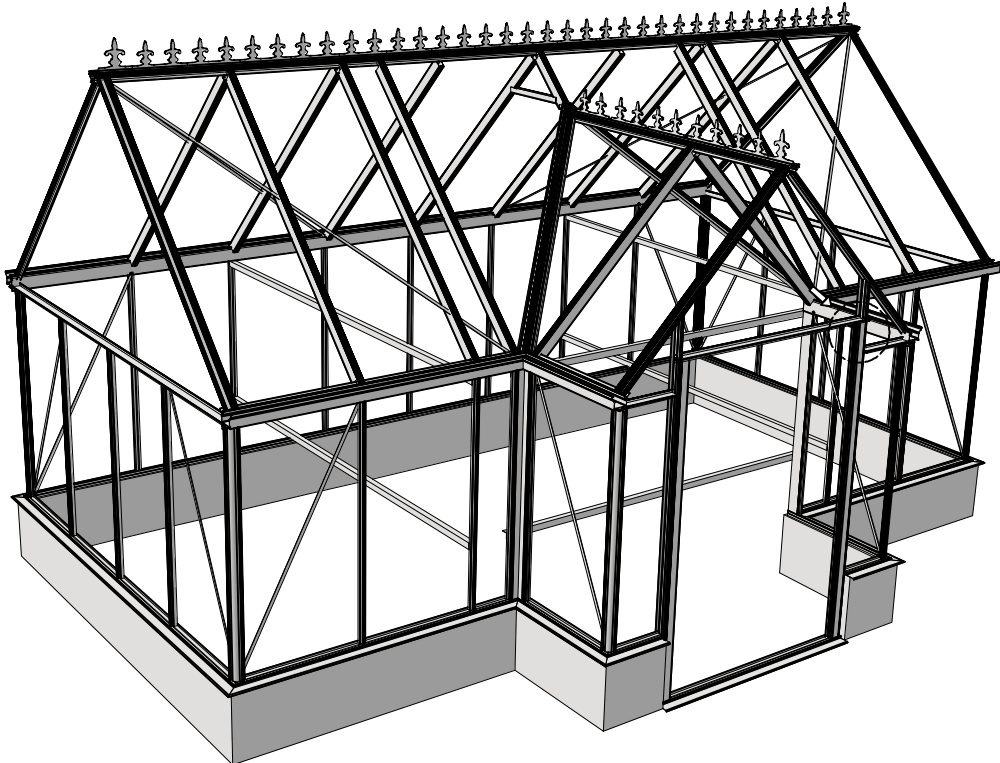
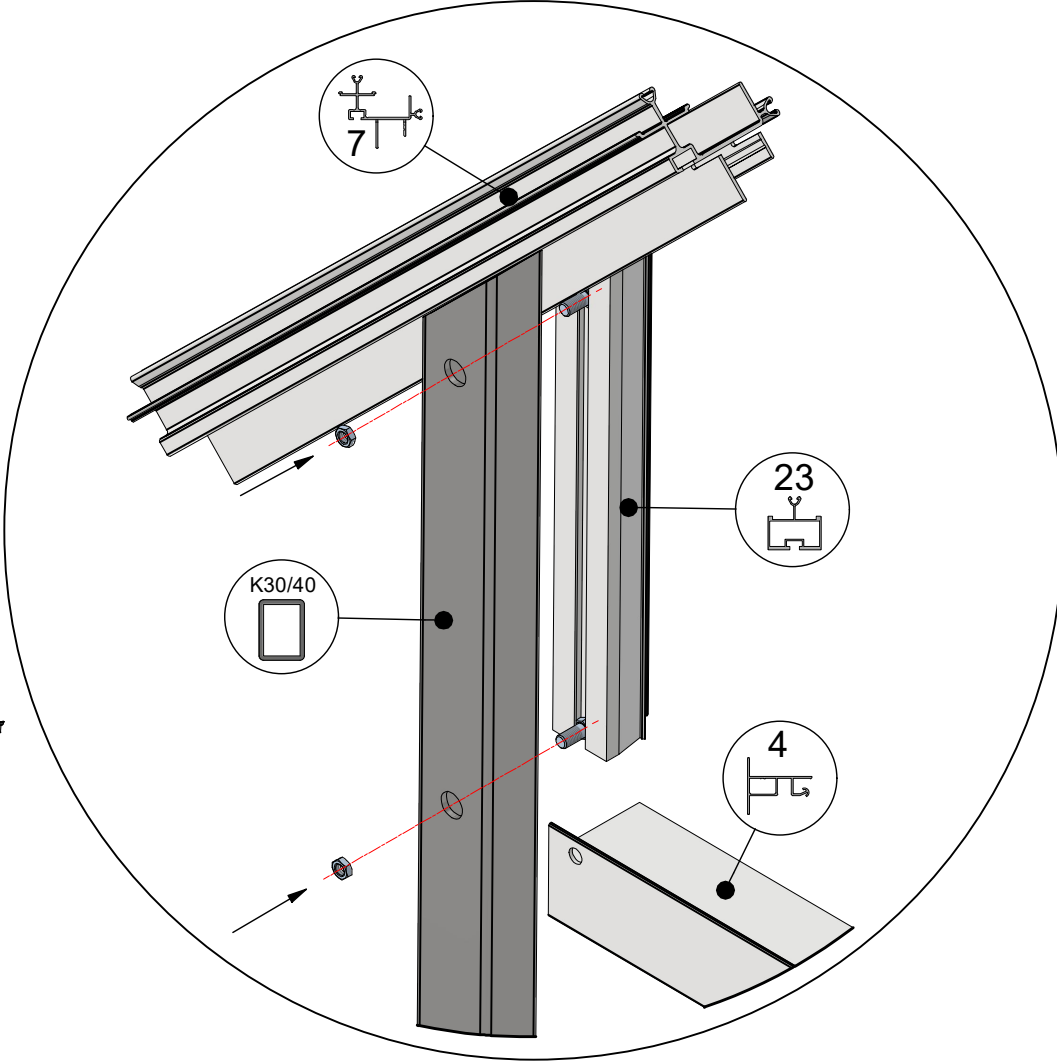
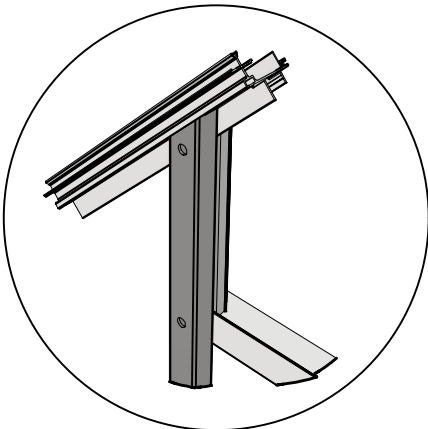
 = M6x12

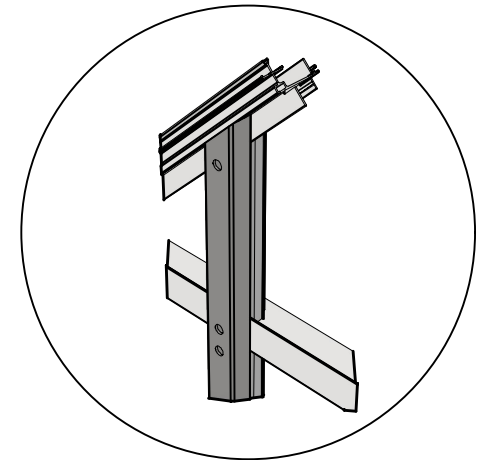
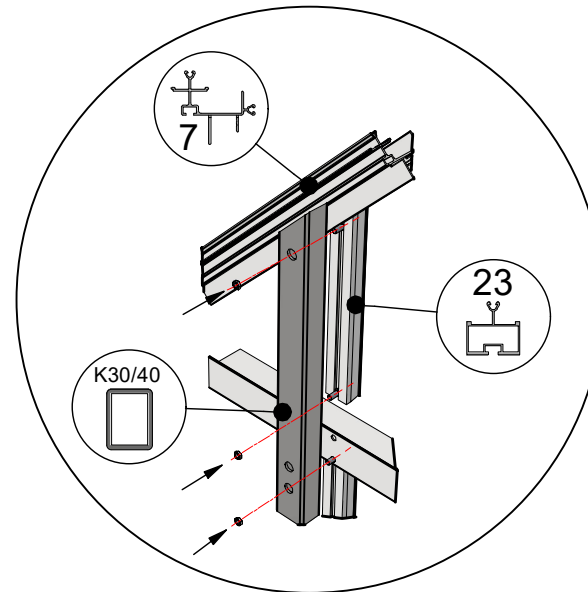
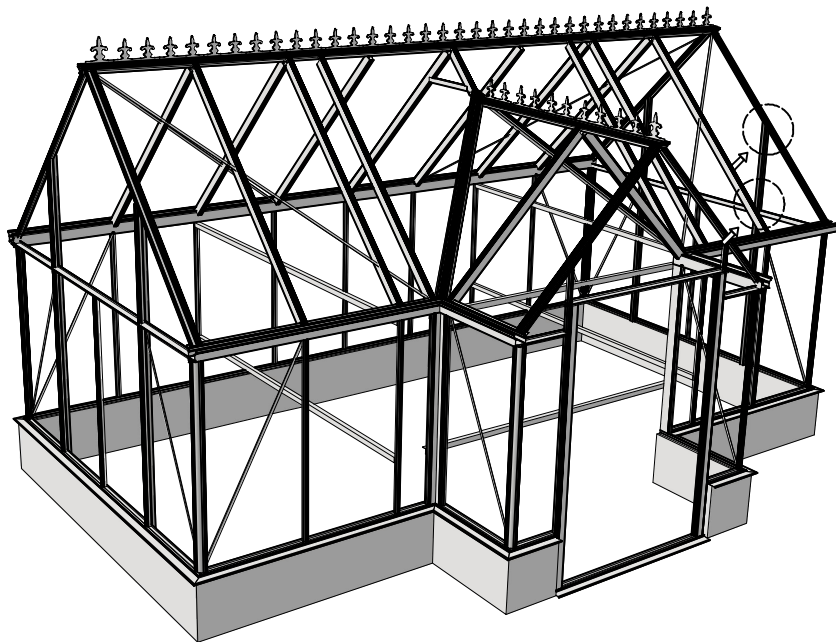
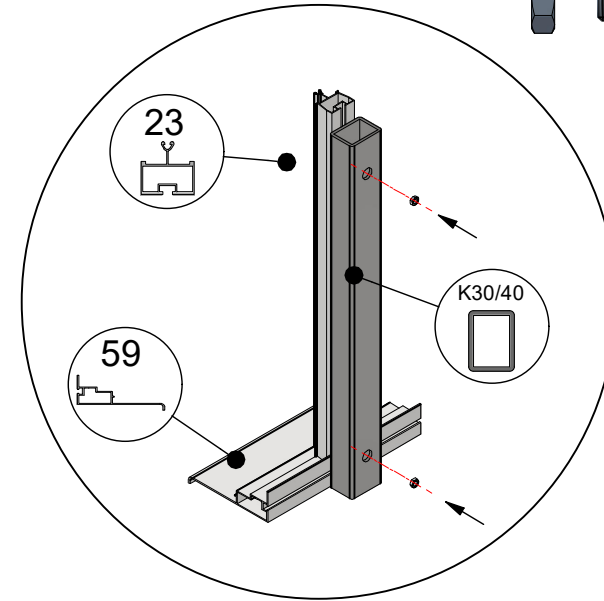
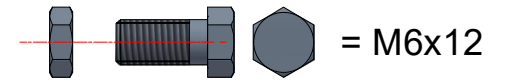
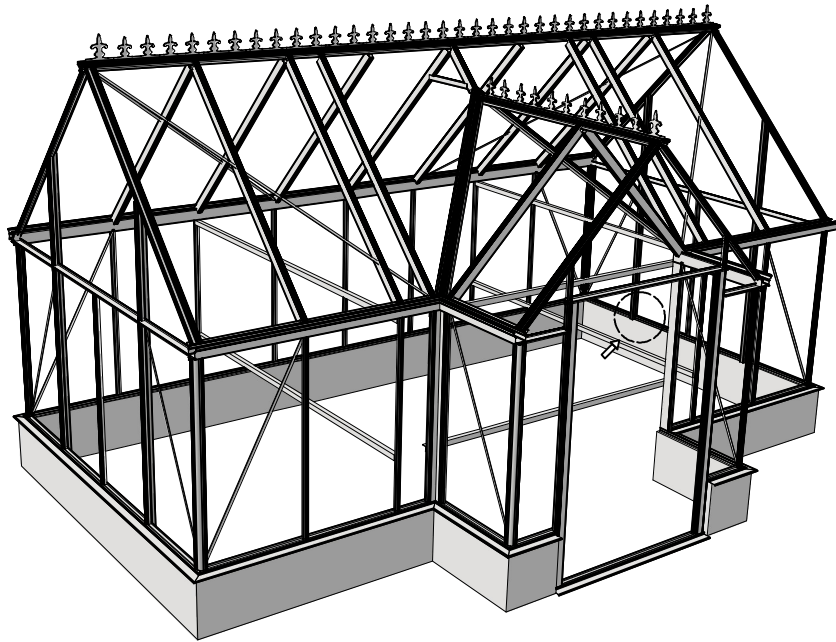


 = M6x12

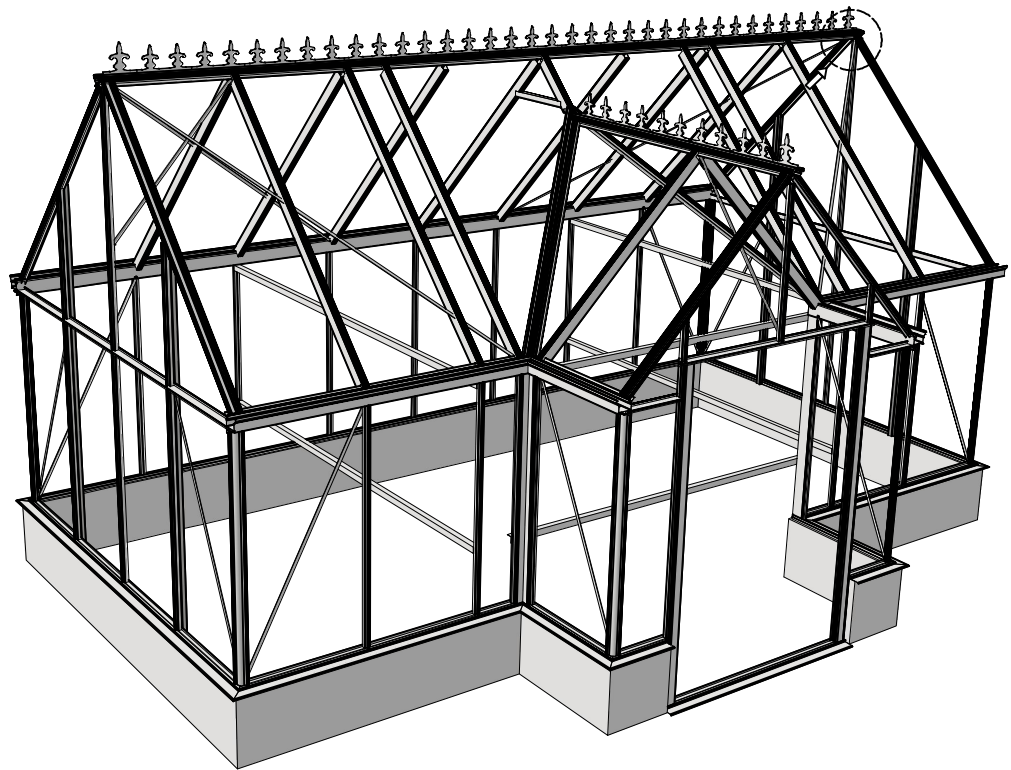
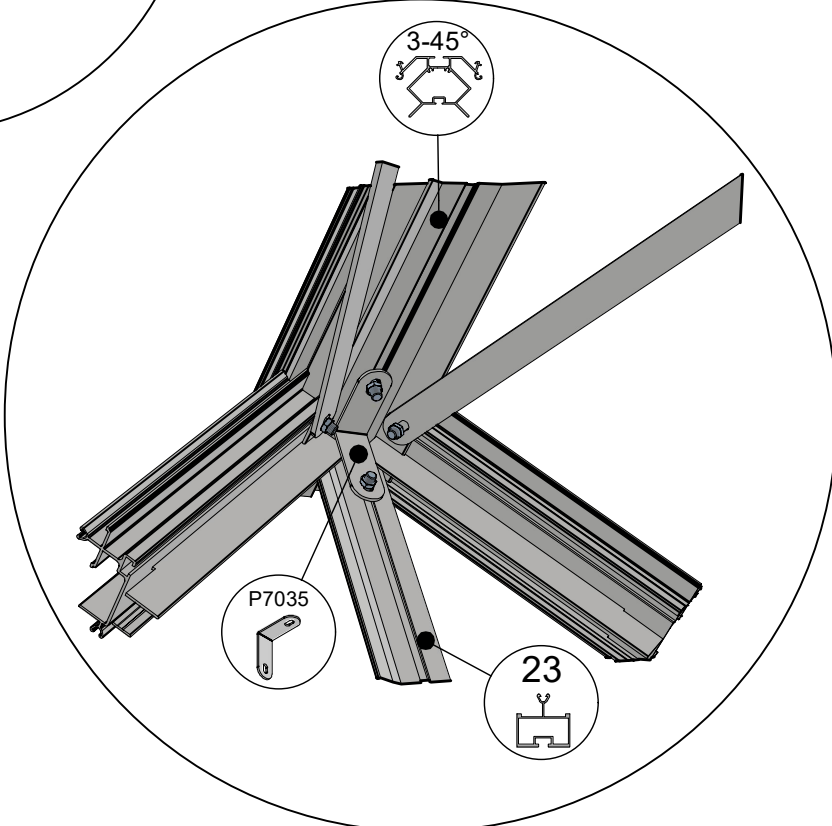
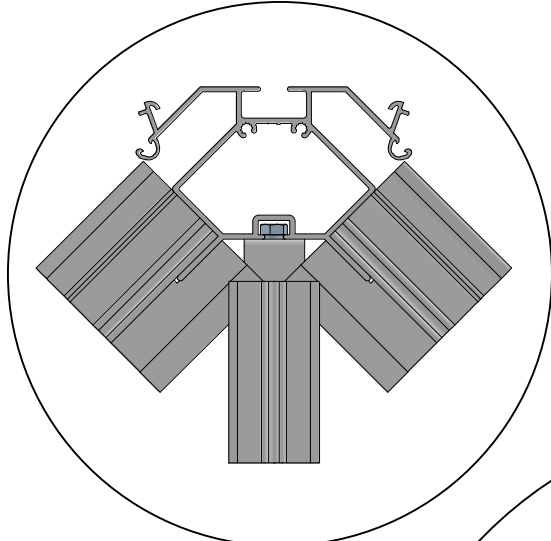
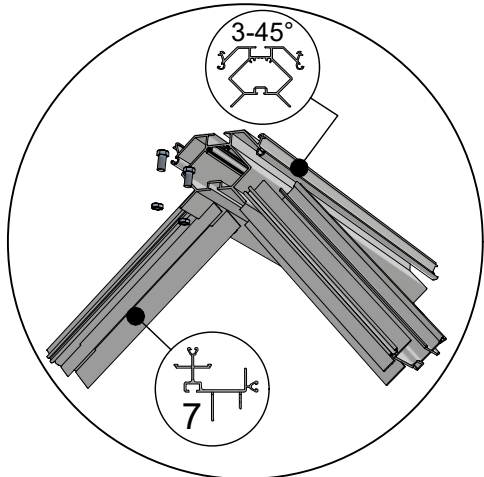


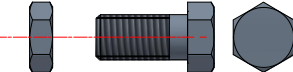
 = M6x12

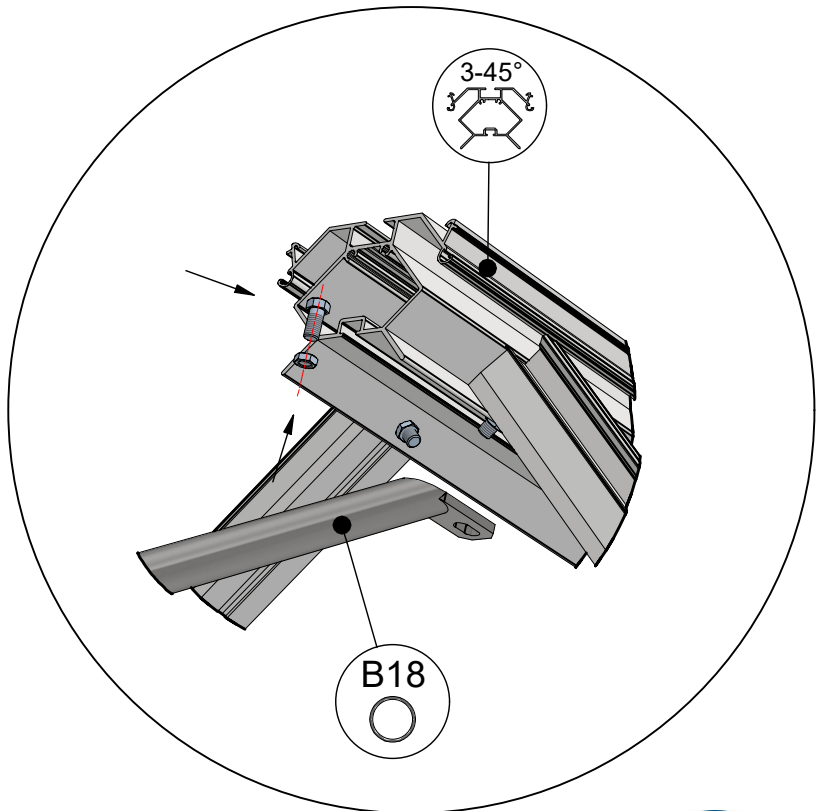
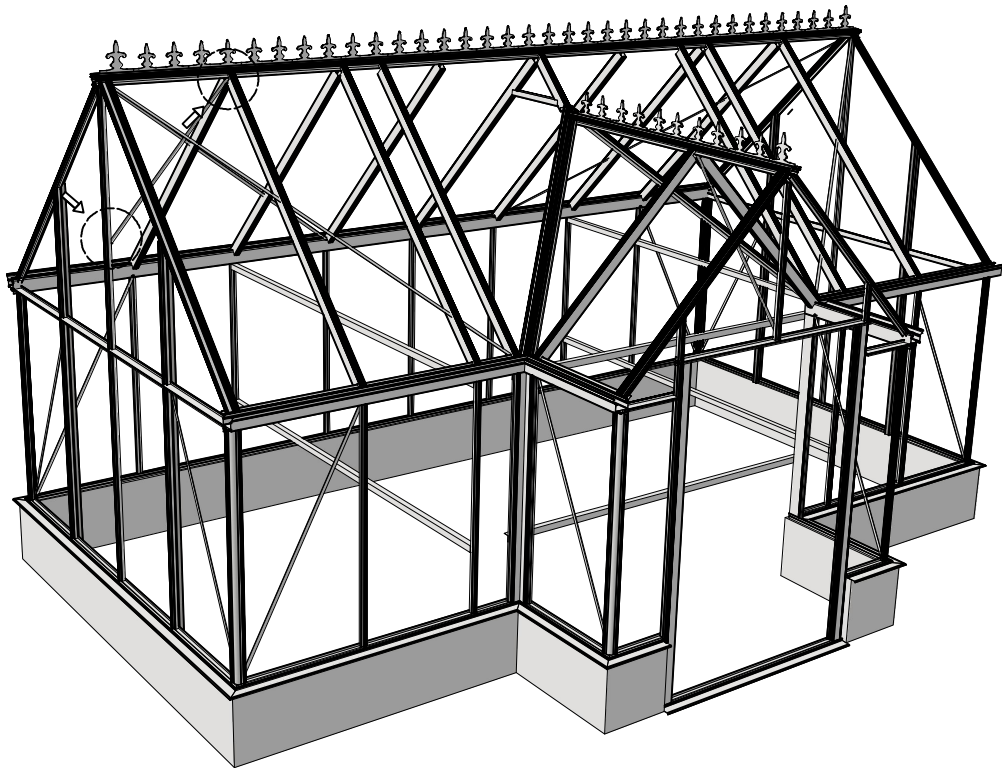
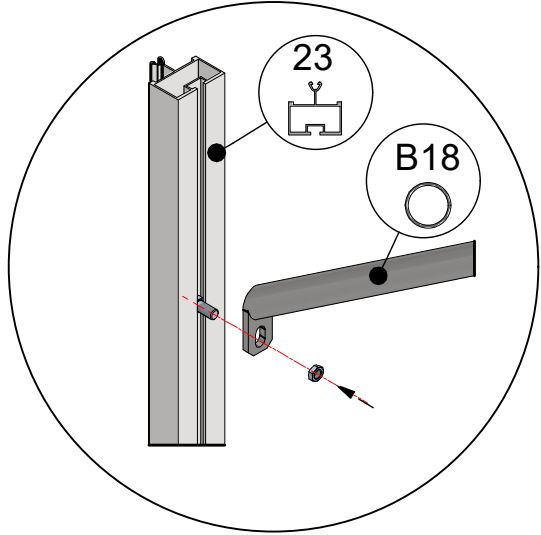


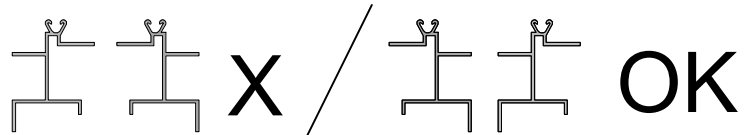
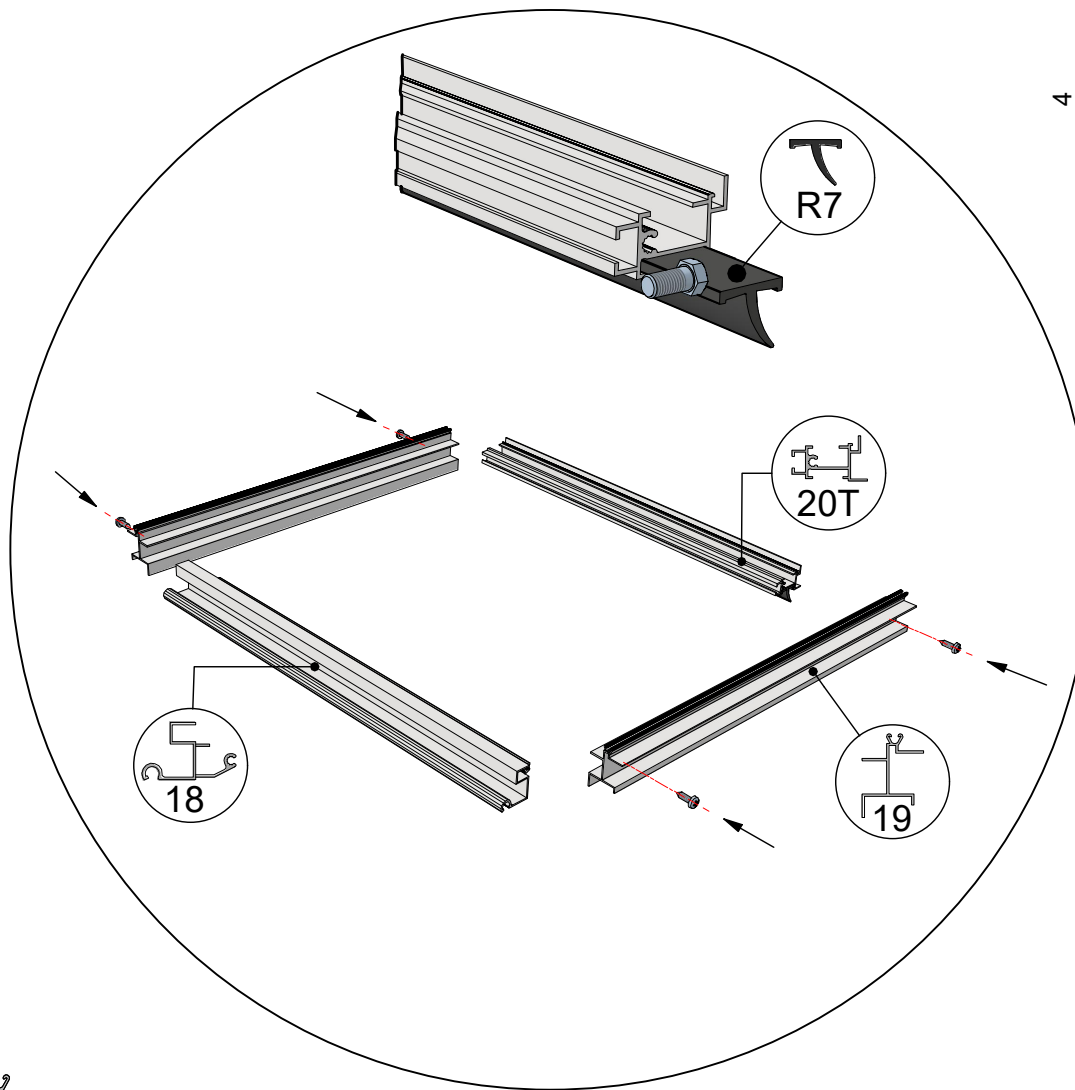
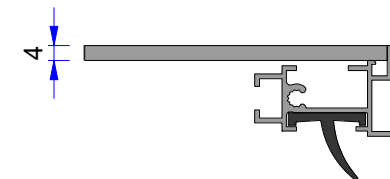
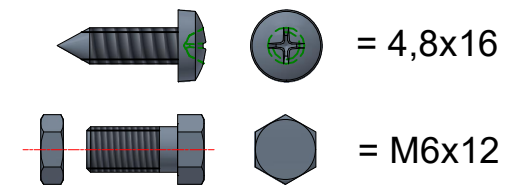
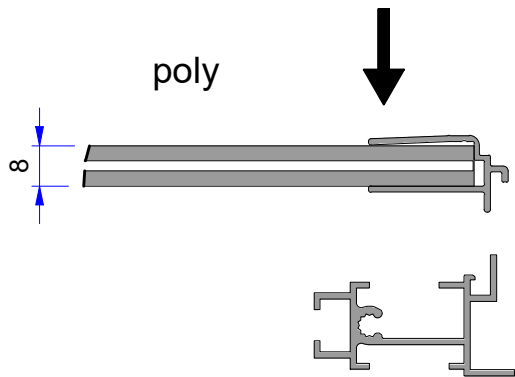


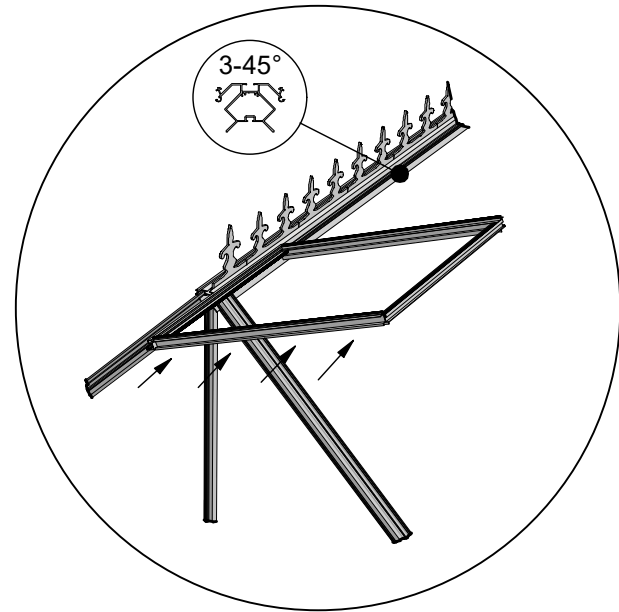
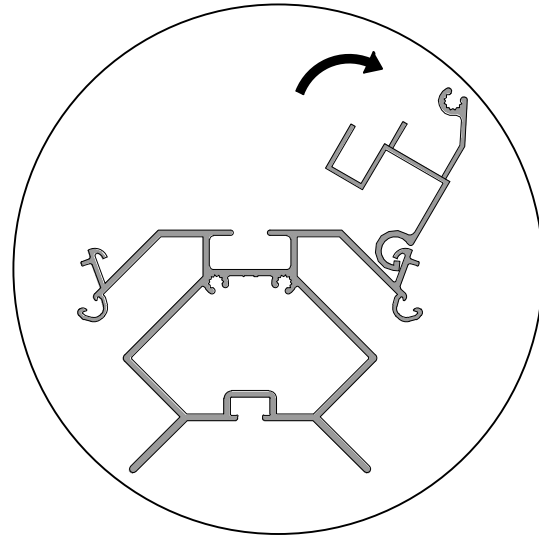
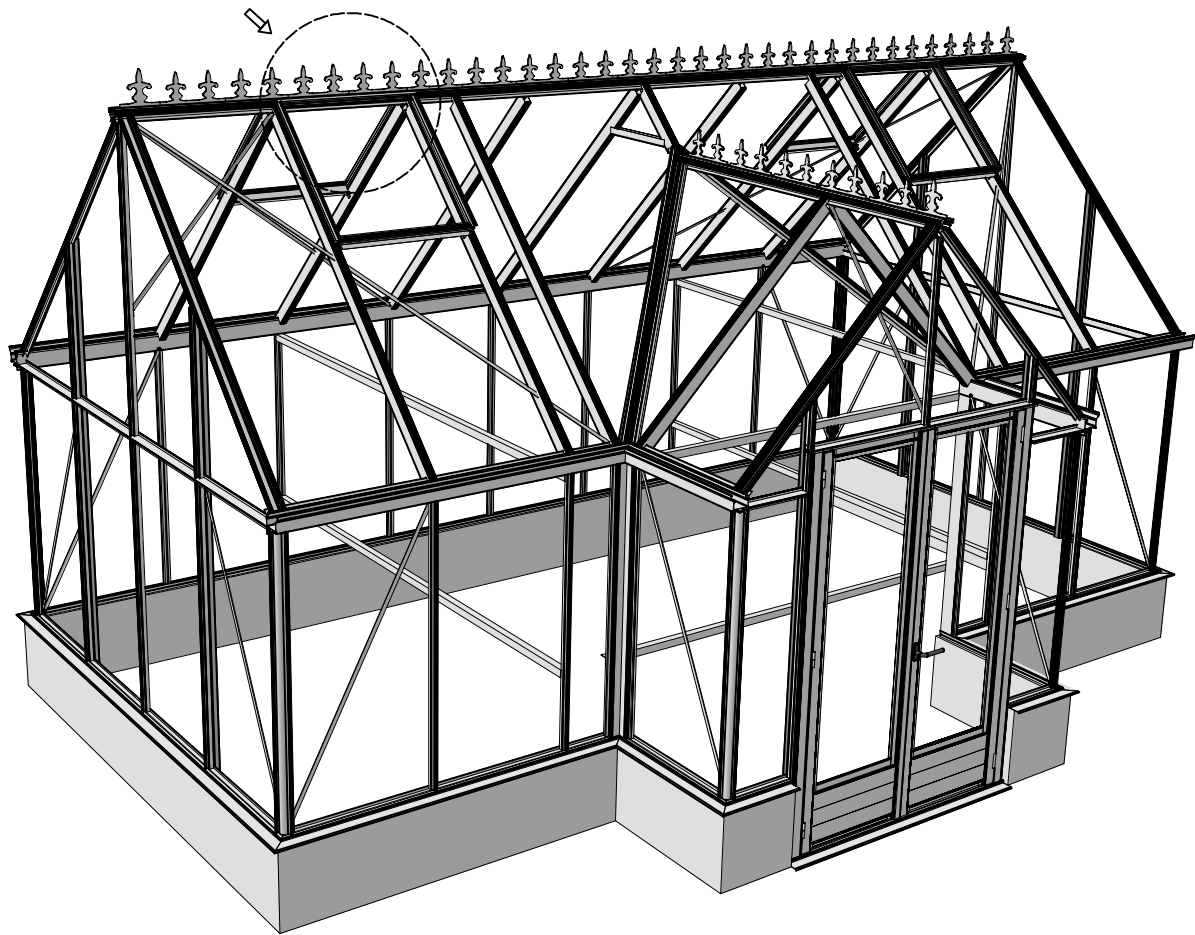
 = M6x12

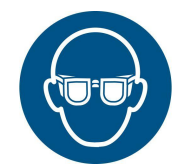
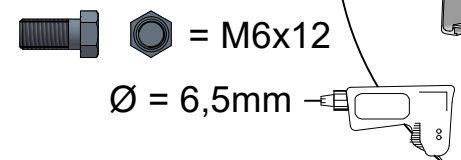
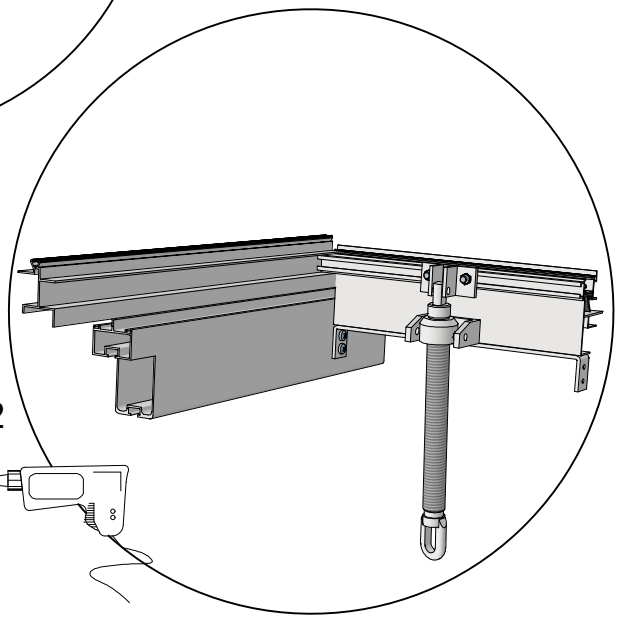
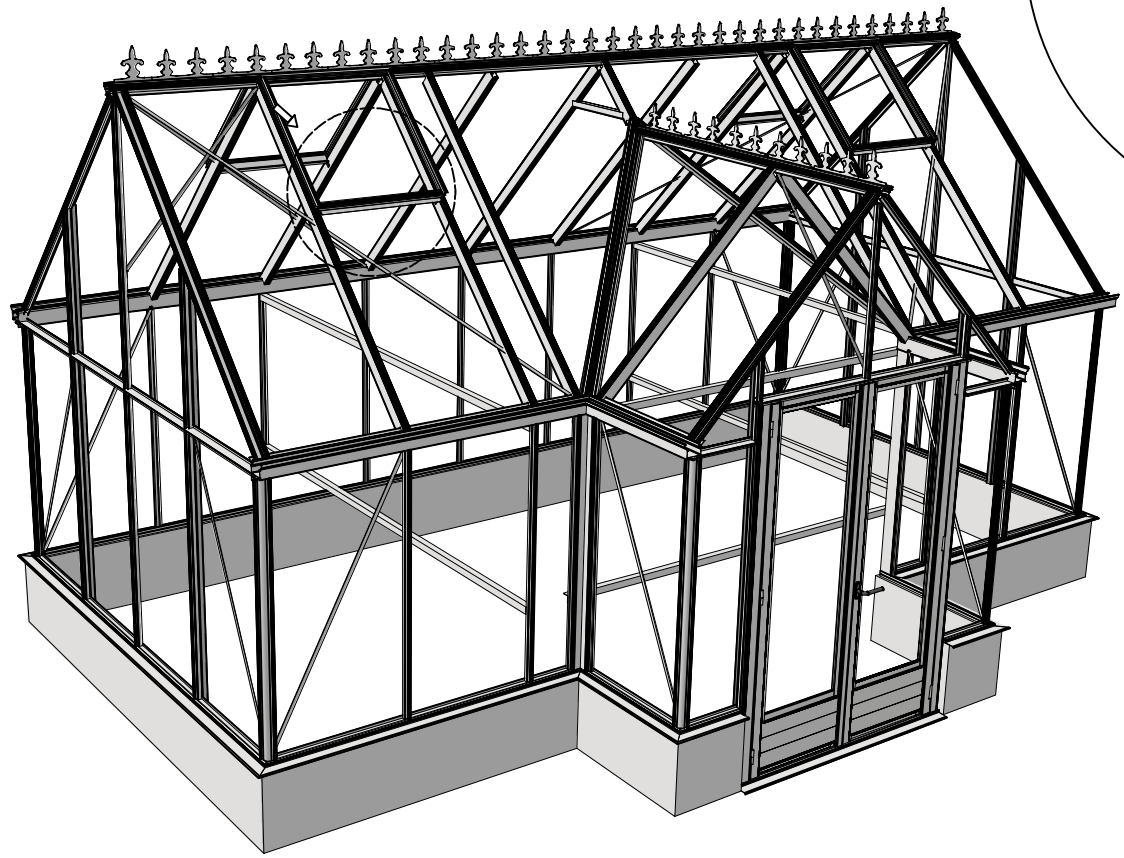
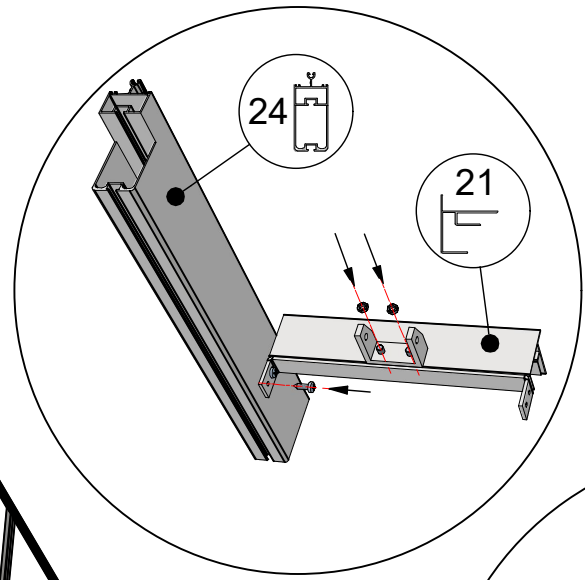
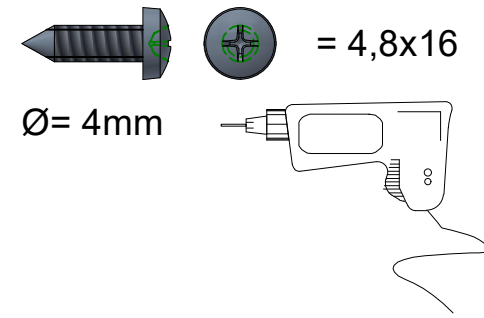
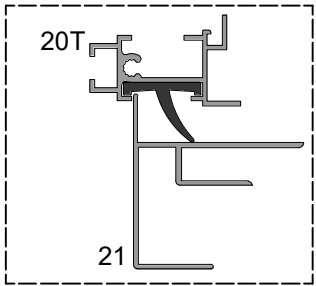


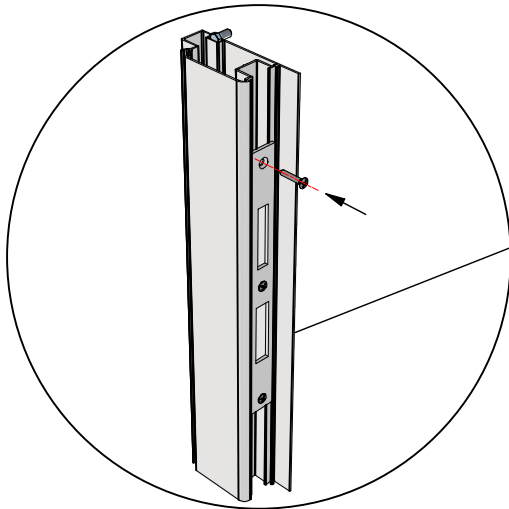
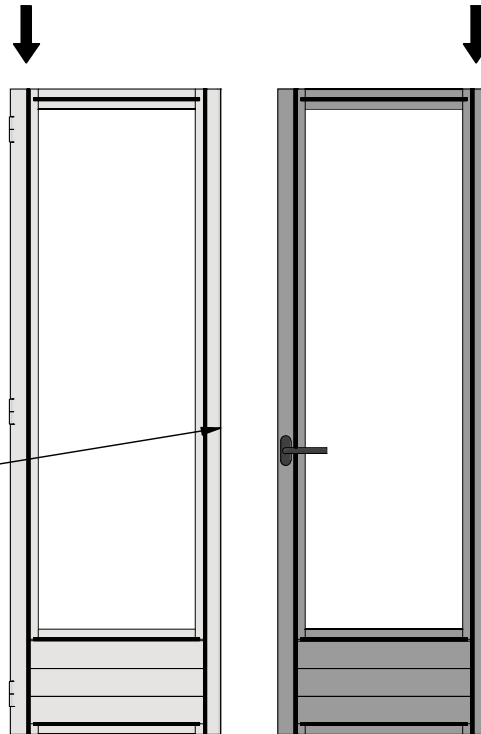
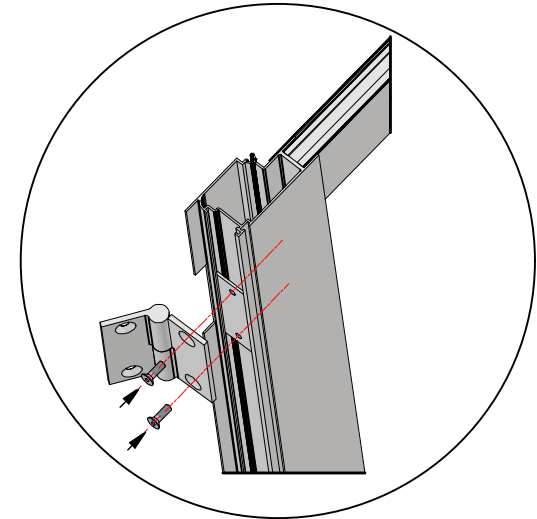
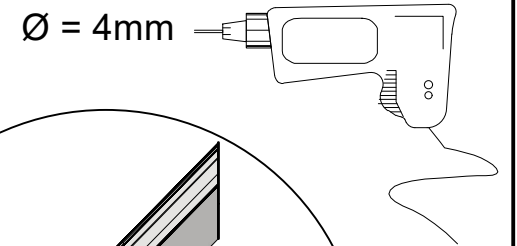
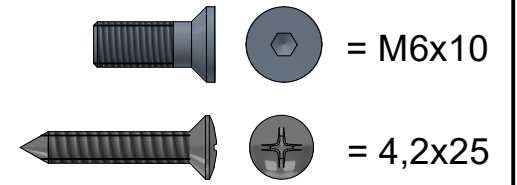
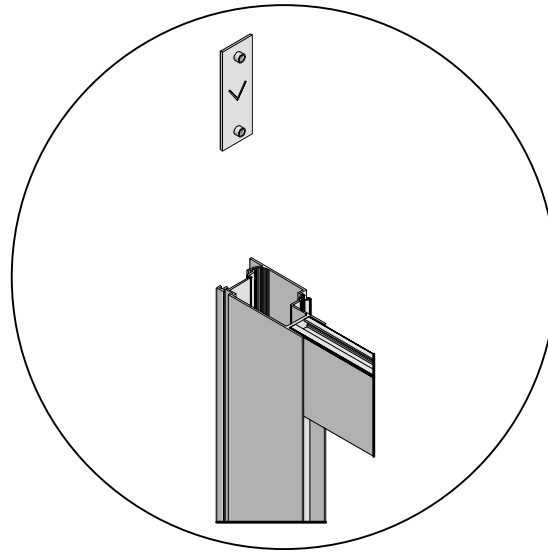
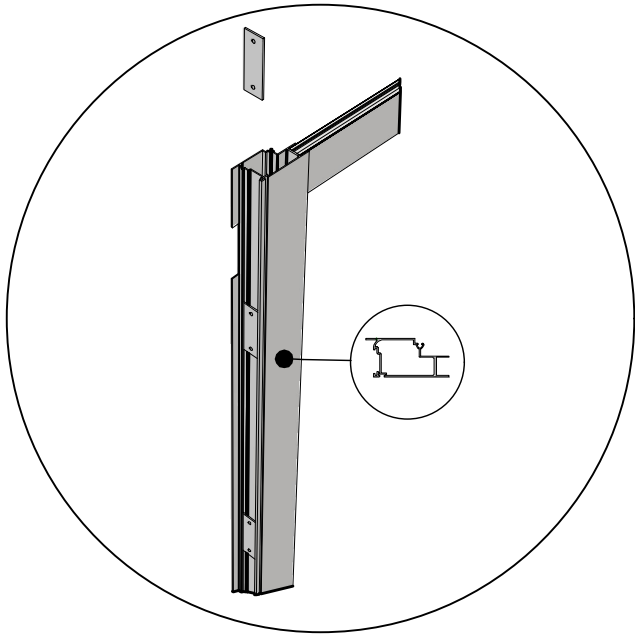
 = M6x12









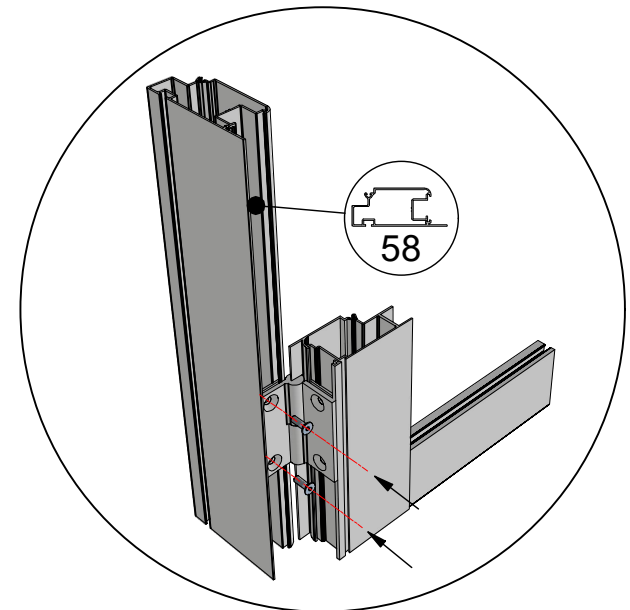
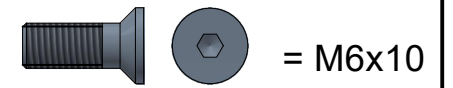
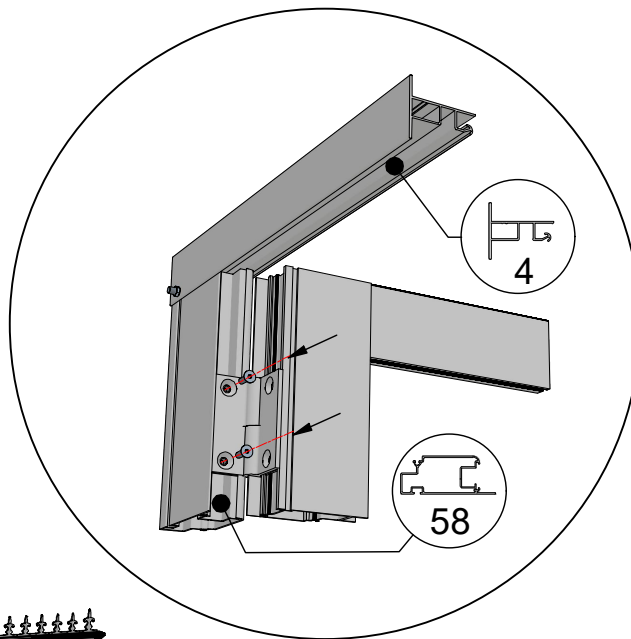
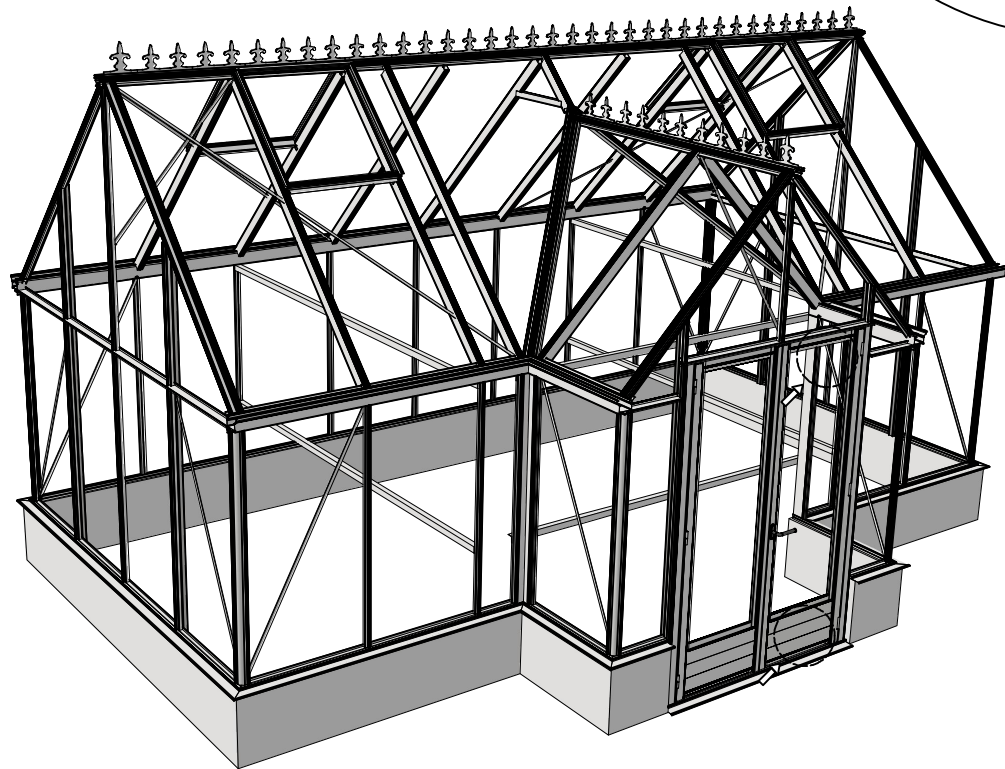


top

11

14

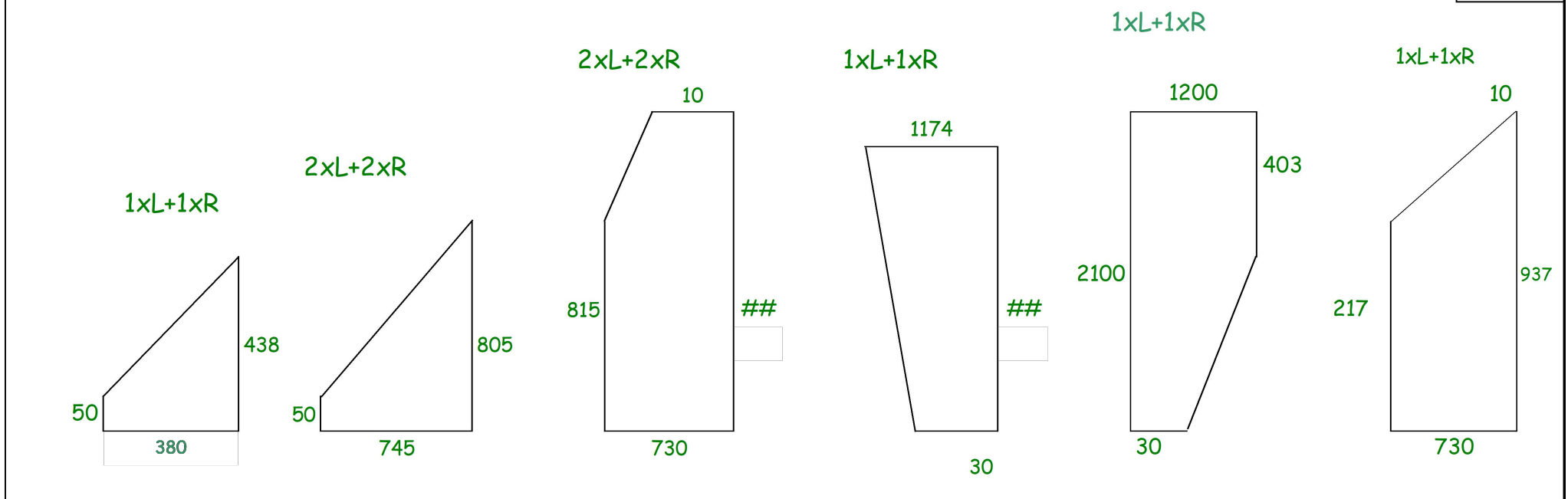




Glass Dimensions Nv Euro-serre **Victorian 2,36m** **GlassH: 1650** **Wall 430**

Glass Size 730mm		Sides				Roof					m ²	m ²
		1650 x 730	1650 x 255	1650 x 360	1850 x 550	2110 x 730	2110 x 255	1585 x 730	825 x 730	1273 x 730		
Victorian	2,36 x 4,57	18	2	2	2	6	2	2	2	2	25,7	15,7
Victorian	2,36 x 6,04	22	2	2	2	8	2	2	4	4	30,6	21,8
Victorian	2,36 x 7,53	26	2	2	2	10	2	2	6	6	35,4	28,0
Victorian	2,36 x 9,04	30	2	2	2	14	2	2	6	6	40,2	34,1

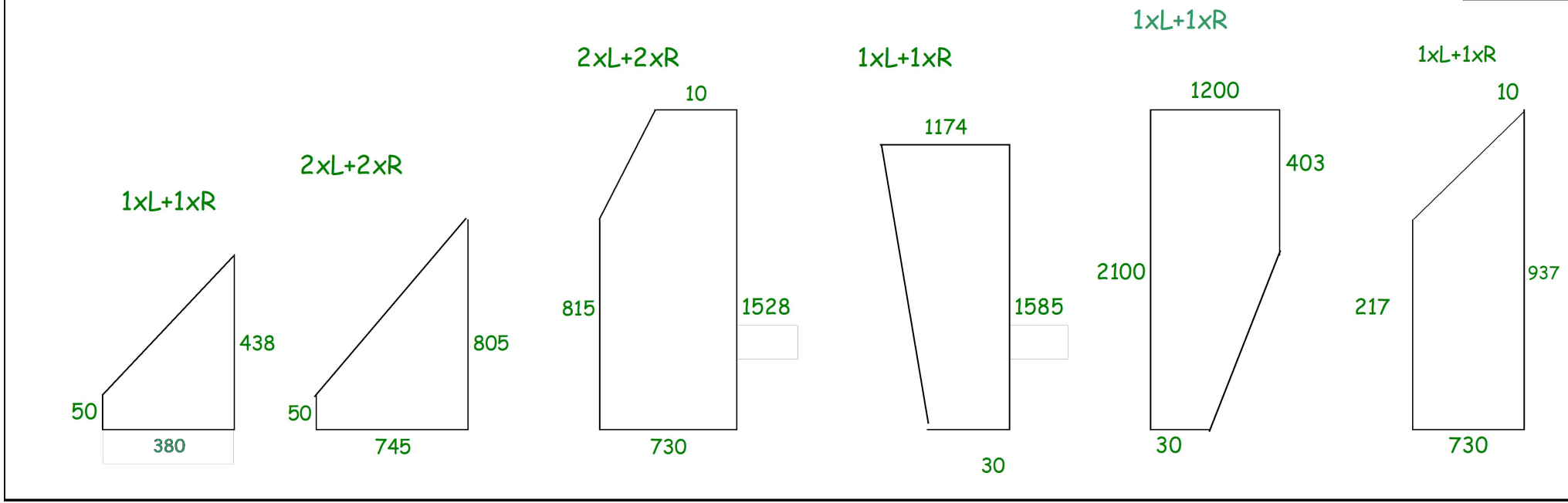
17,32 m²



Glass Dimensions Nv Euro-serre **Victorian 2,36m** **GlassH: 1450** **Wall 630**

Glass Size 730mm			Sides				Roof						
			1450 x 730	1450 x 255	1450 x 360	1580 x 550	2110 x 730	2110 x 255	1585 x 730	825 x 730	1273 x 730	m ²	m ²
Victorian	2,36	x 4,57	18	2	2	2	6	2	2	2	22,6	15,7	
Victorian	2,36	x 6,04	22	2	2	2	8	2	2	4	26,8	21,8	
Victorian	2,36	x 7,53	26	2	2	2	10	2	2	6	31,0	28,0	
Victorian	2,36	x 9,04	30	2	2	2	14	2	2	6	35,3	34,1	

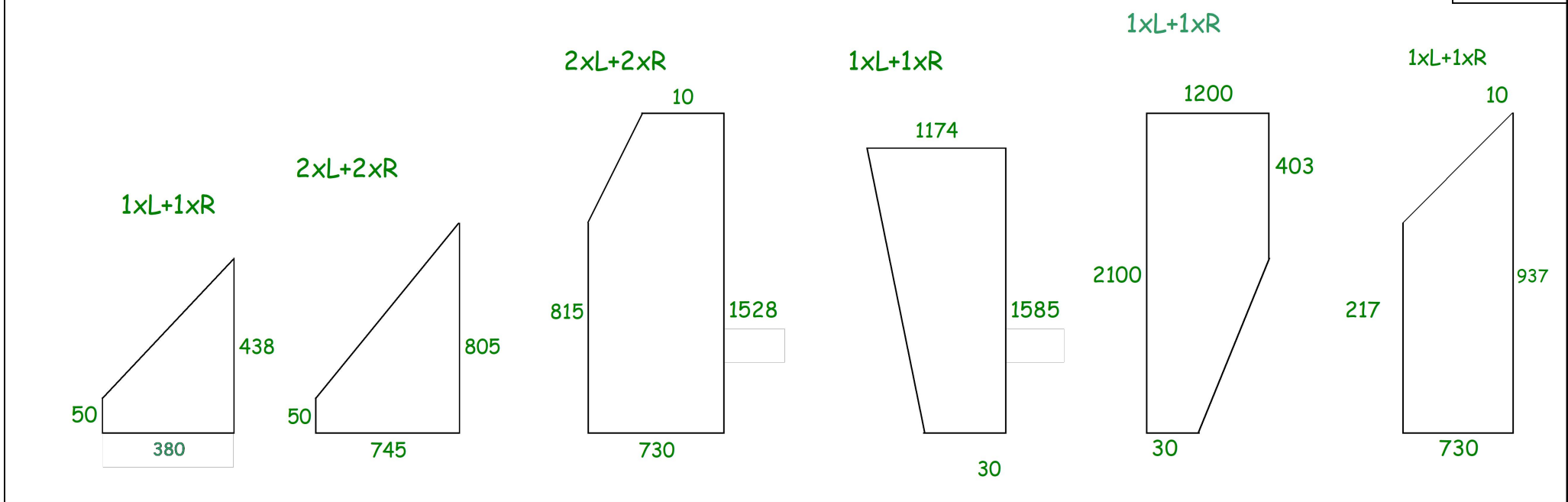
17,32 m²



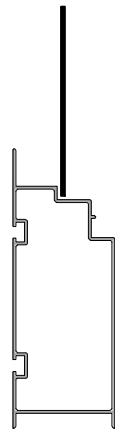
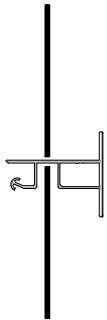
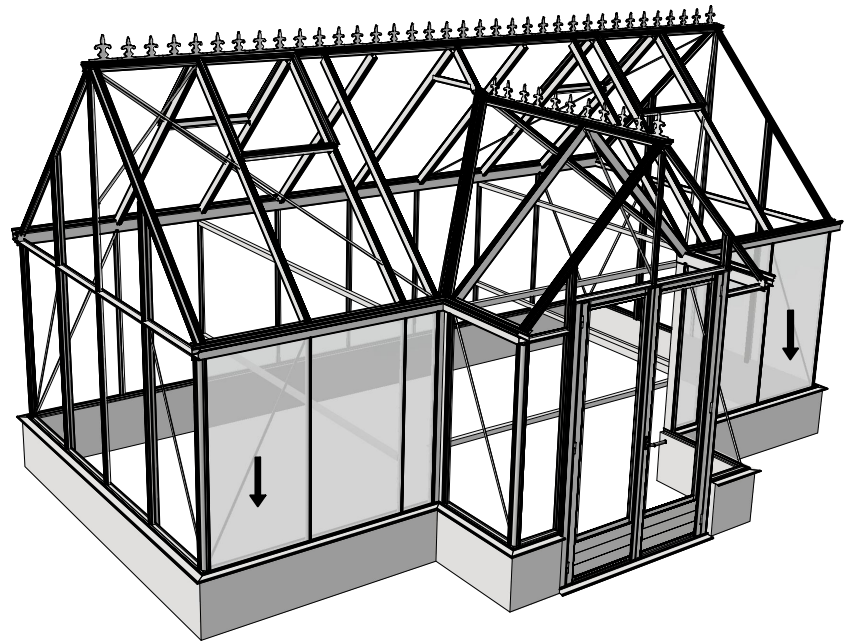
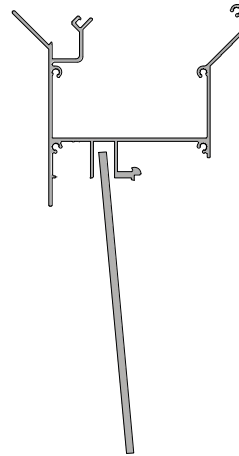
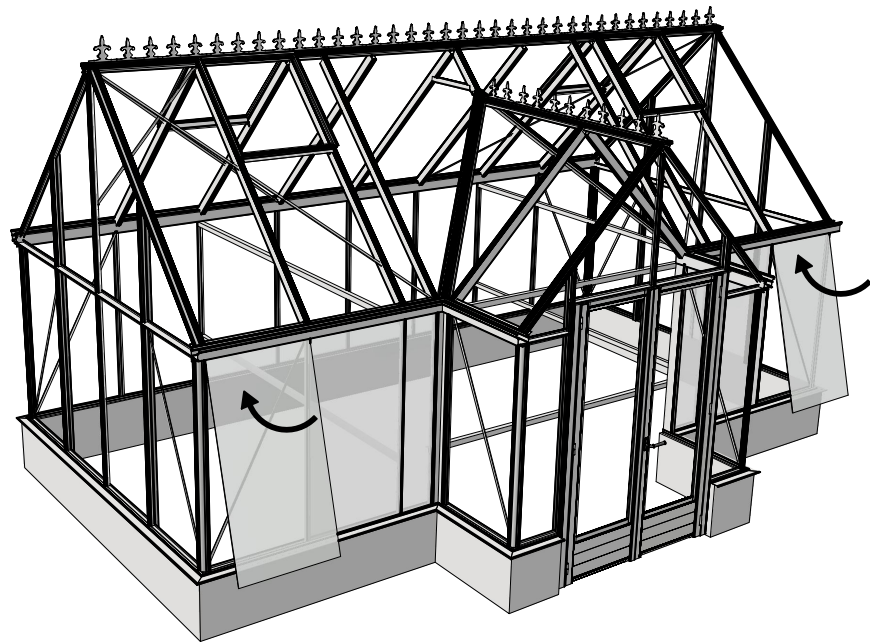
Glass Dimensions Nv Euro-serre **Victorian 2,36m** **GlassH: 1250** **Wal 830**

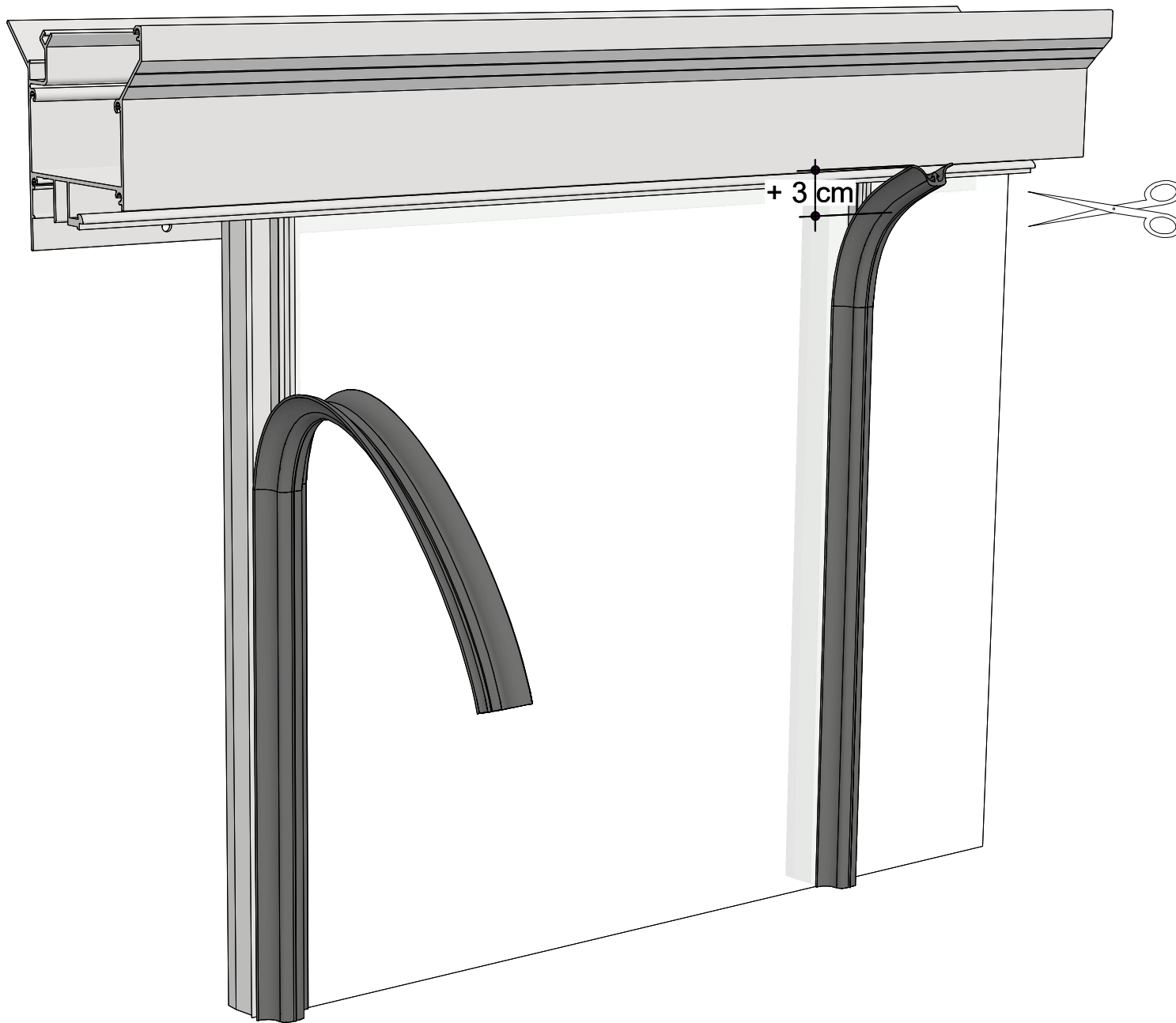
Glass Size 730mm			Sides				Roof					m ²	m ²
			1250 x 730	1250 x 255	1250 x 360	1410 x 550	2110 x 730	2110 x 255	1585 x 730	825 x 730	1273 x 730		
Victorian	2,36	x 4,57	18	2	2	2	6	2	2	2	2	19,5	15,7
Victorian	2,36	x 6,04	22	2	2	2	8	2	2	4	4	23,2	21,8
Victorian	2,36	x 7,53	26	2	2	2	10	2	2	6	6	26,8	28,0
Victorian	2,36	x 9,04	30	2	2	2	14	2	2	6	6	30,5	34,1

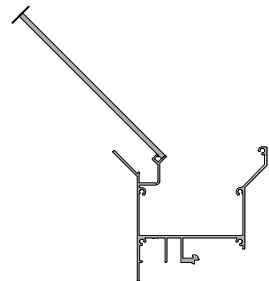
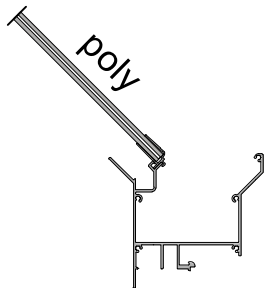
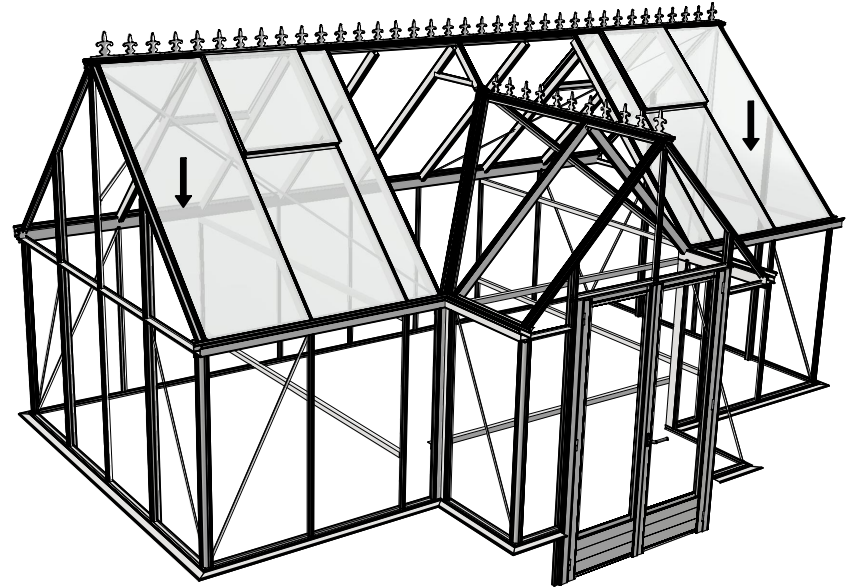
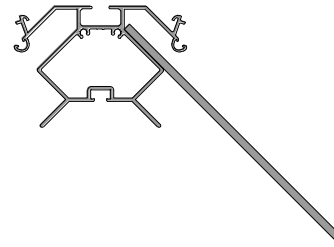
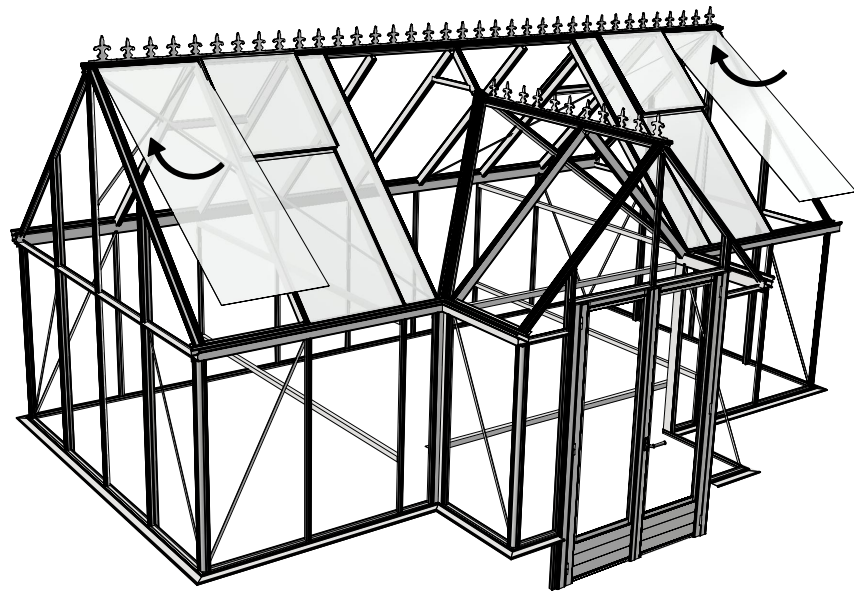
17,32 m²

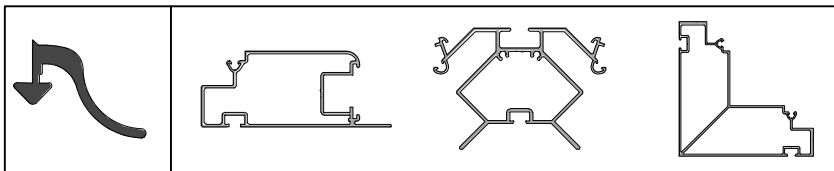
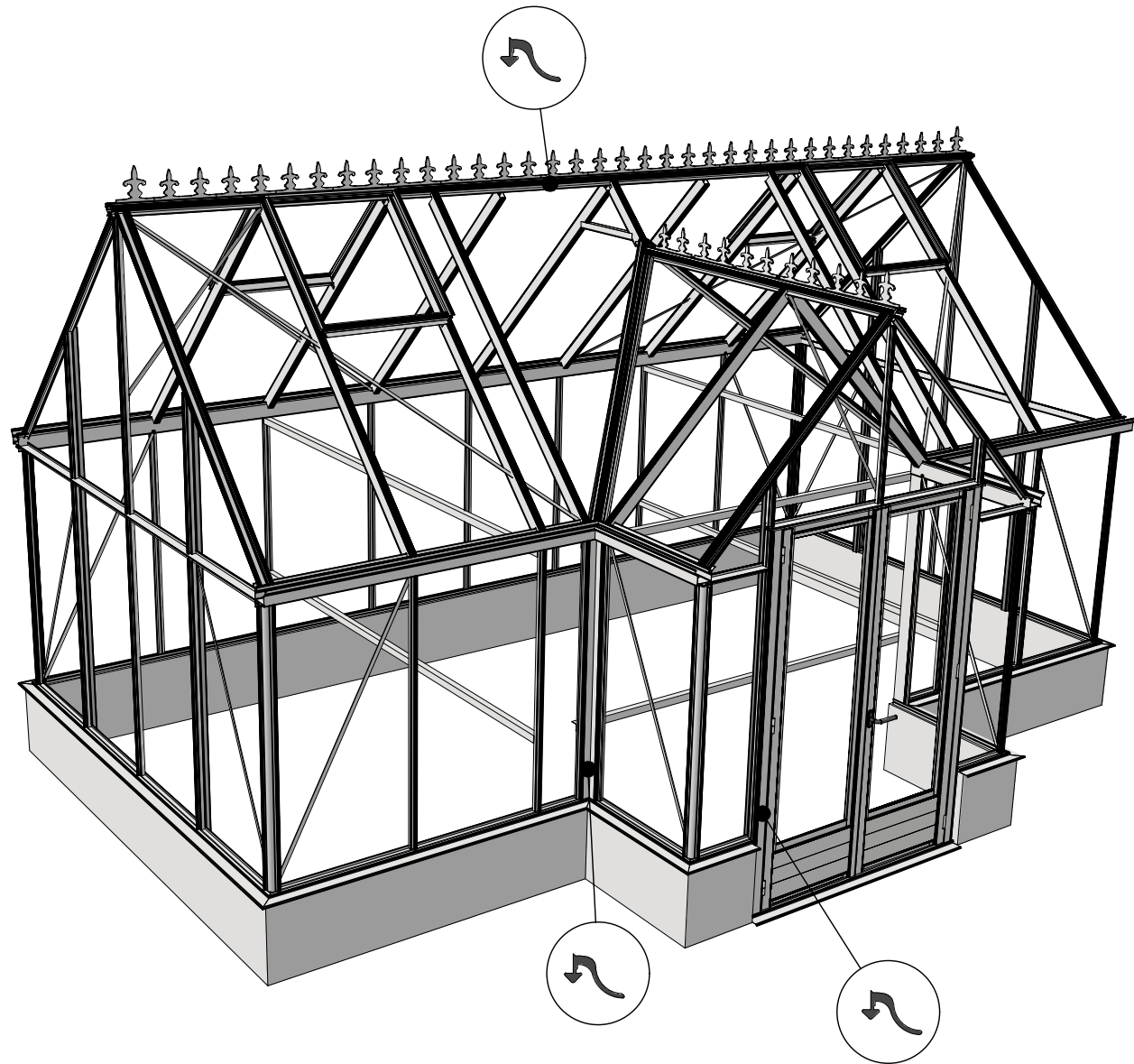


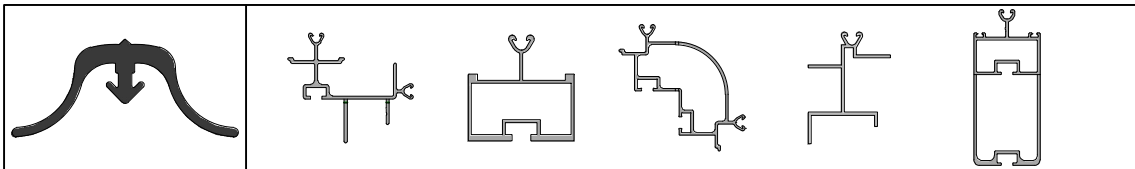
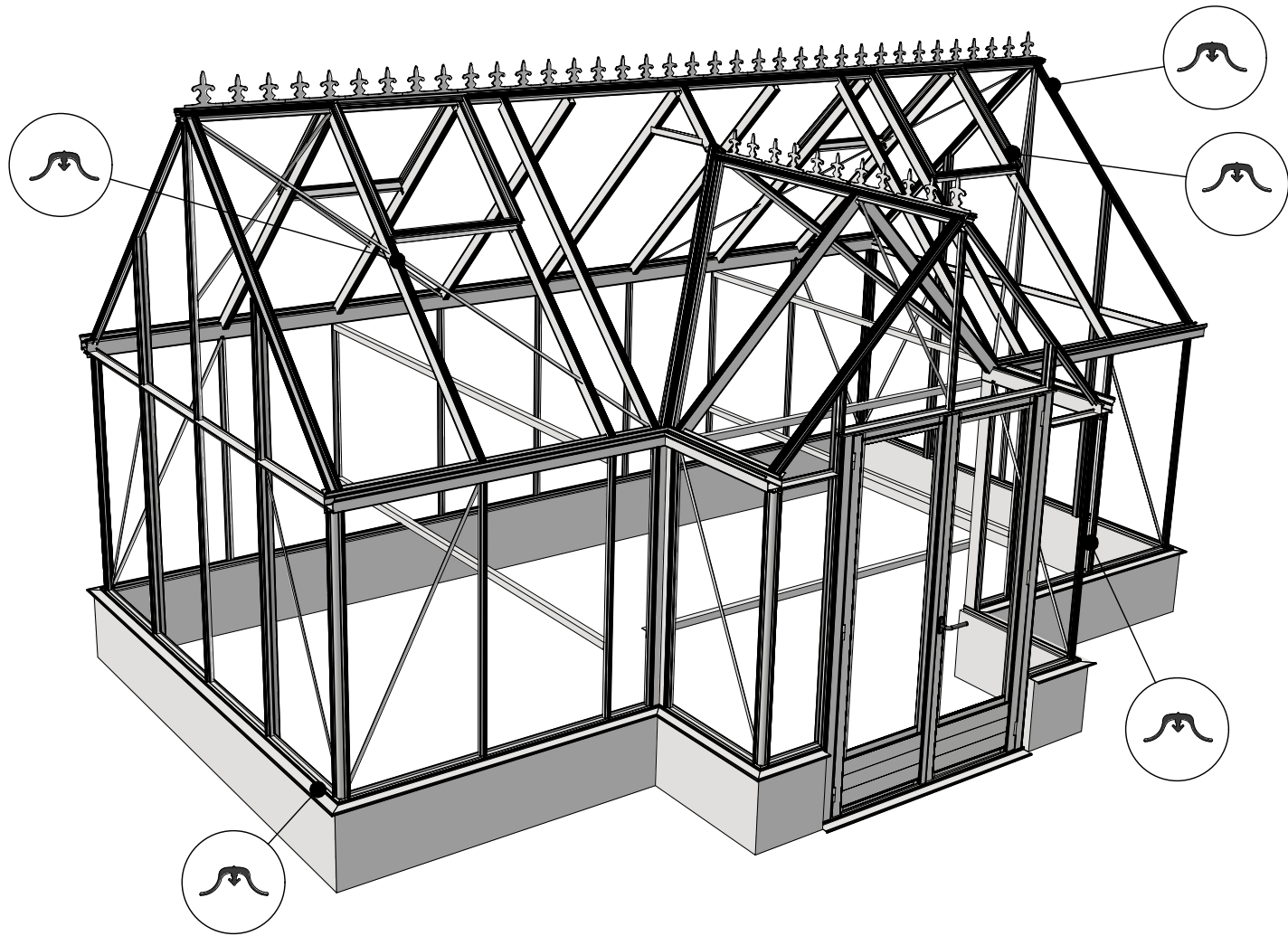
Opgemaakt op 28-10-2022

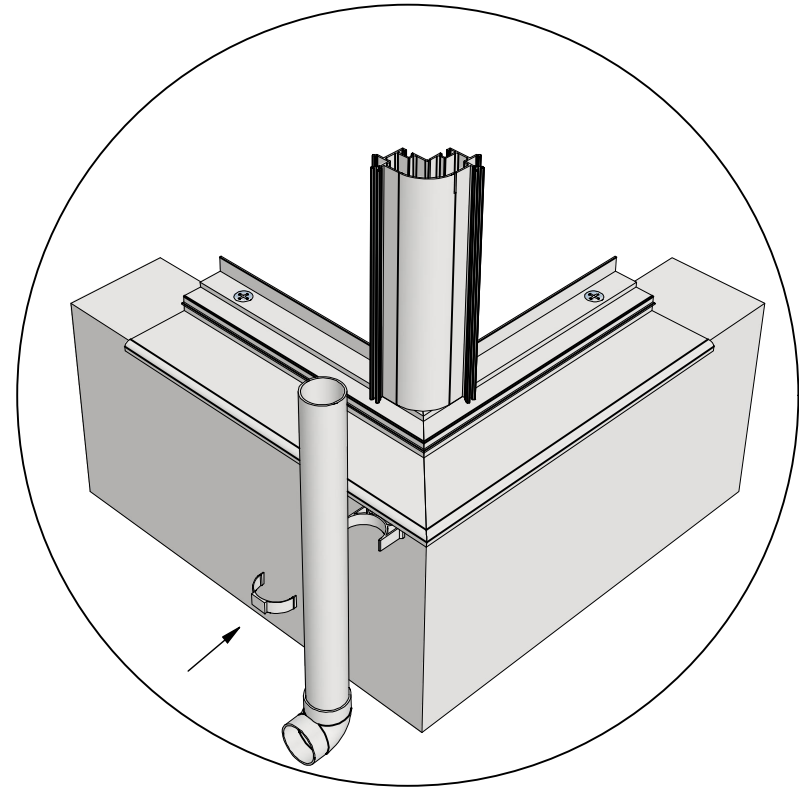
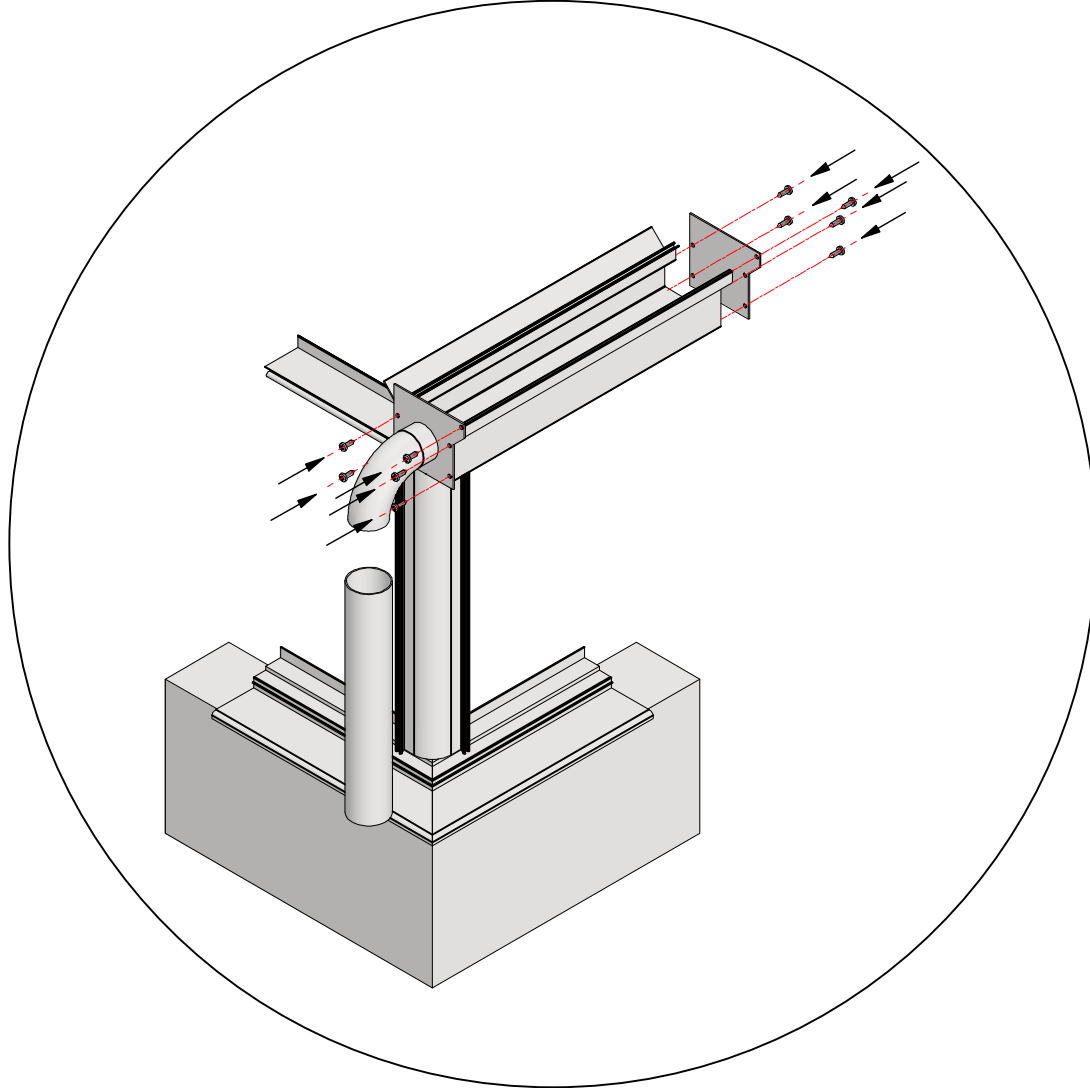
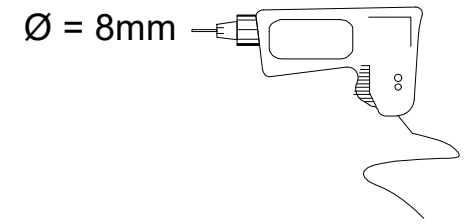
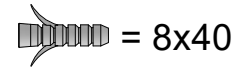
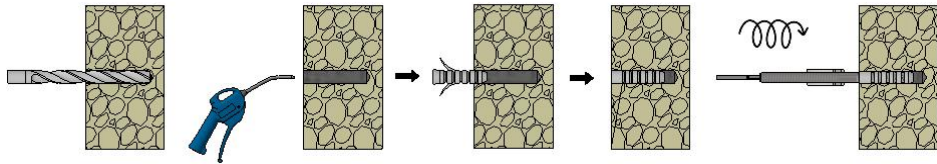




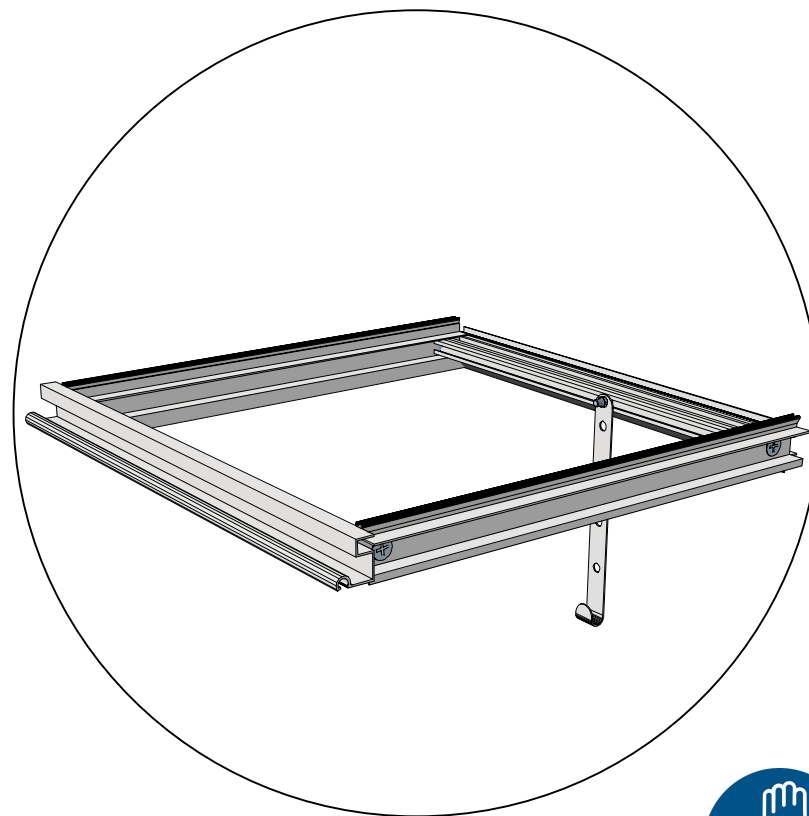
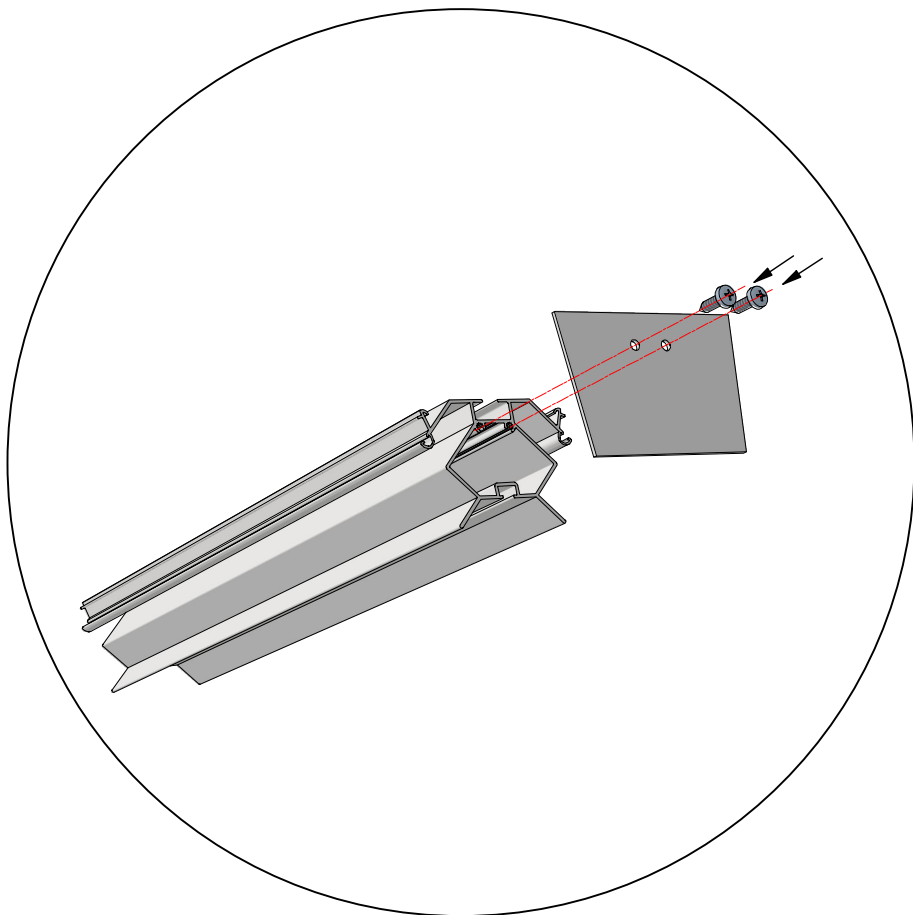








  = 4,8x16





Geleenlaan 1 - 3600 Genk

ref: Victorian on wall-001 Rev. 05.10.2023

OCBS - 1148-CPR-20231003-989 C €

EN 1090-1 EXC 1

Victorian on wall

www.euroserre.com/cecificaten